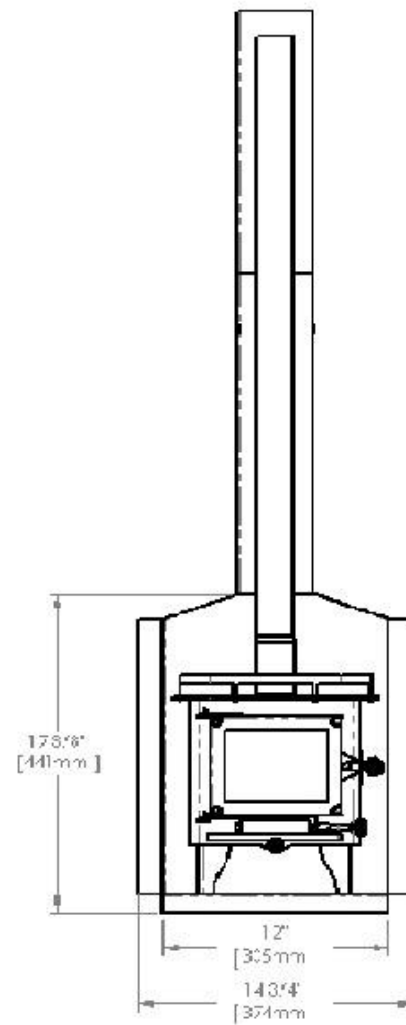
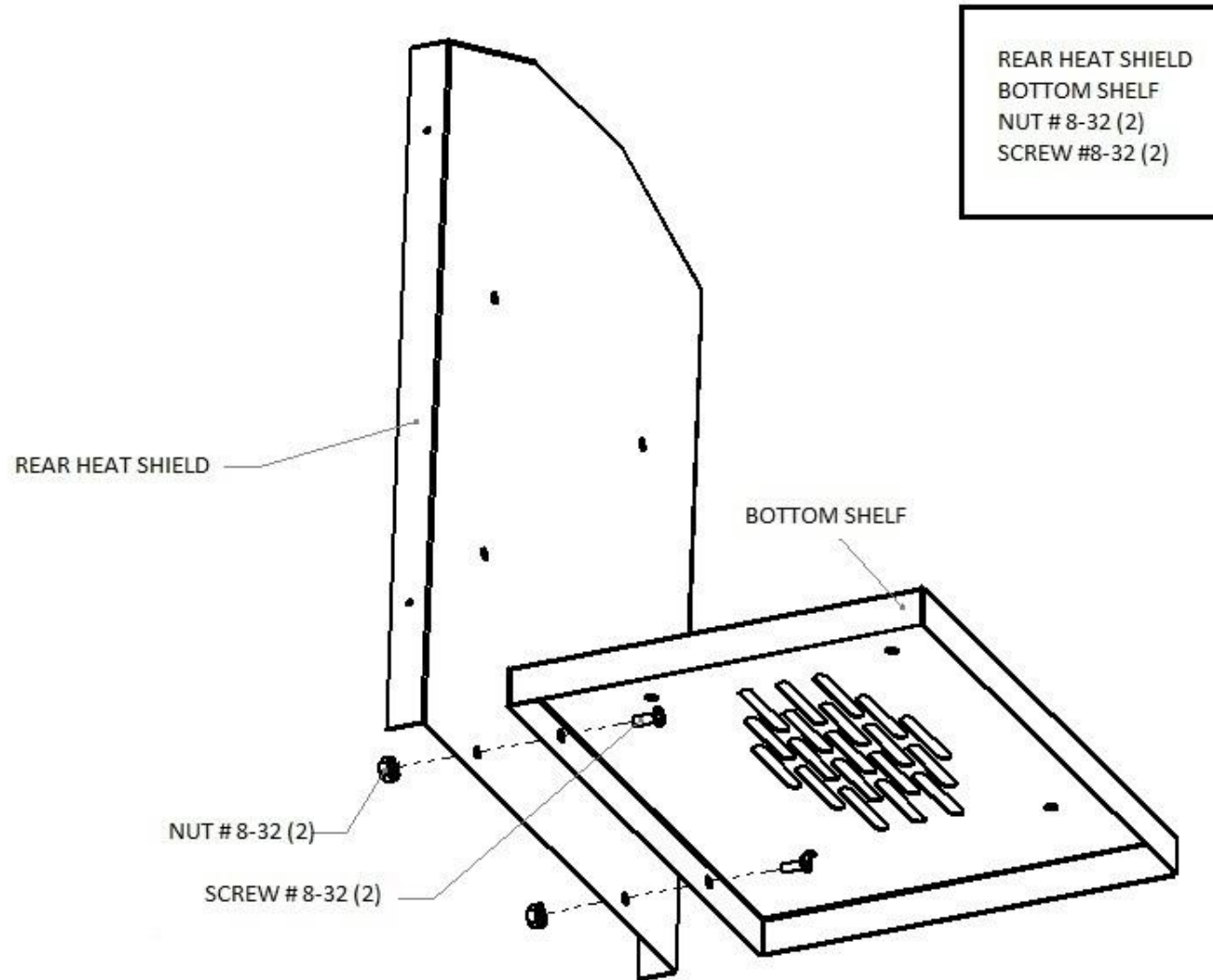


CUBIC MINI WOOD STOVE INSTALATION INSTRUCTION MANUAL

CB - 2012 - SS

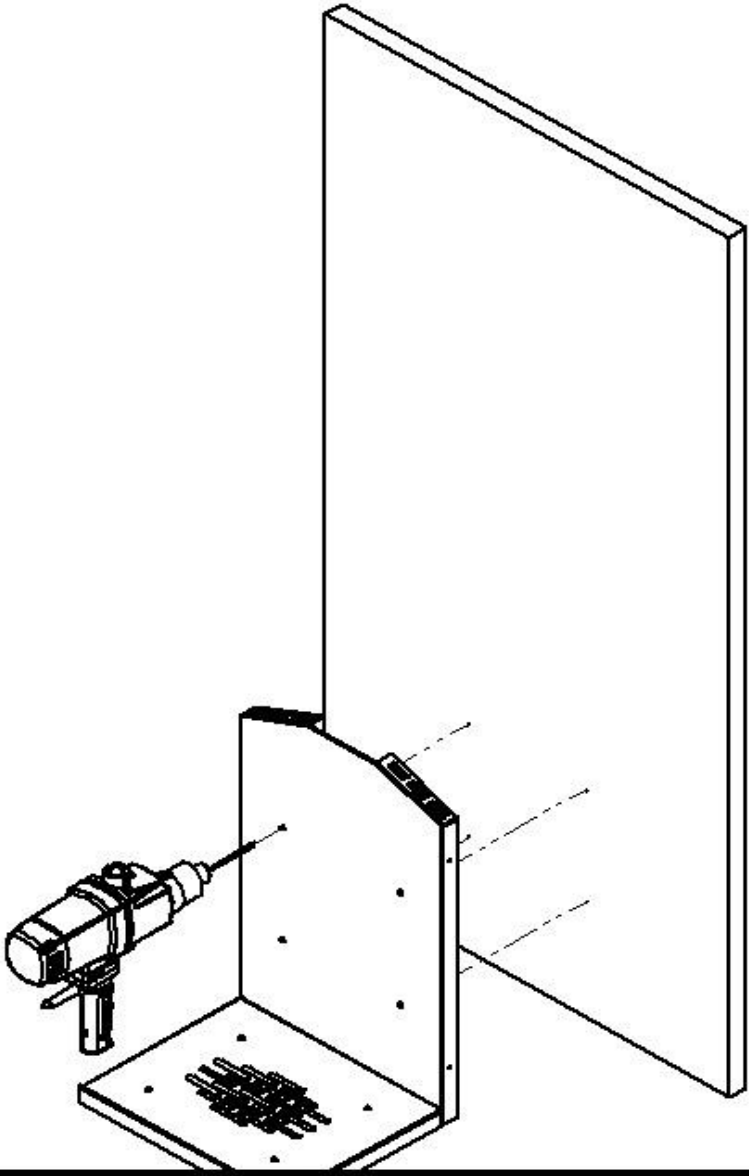


#1 BOLT THE BOTTOM SHELF TO THE REAR HEAT SHIELD USING 2 SCREWS AND 2 NUTS



#2 MARK 2 HOLES WITH A PENCIL AND DRILL 4 PILOT HOLES 3/32" IN DIAMETER

PENCIL
DRILL
DRILL BIT 3/32"

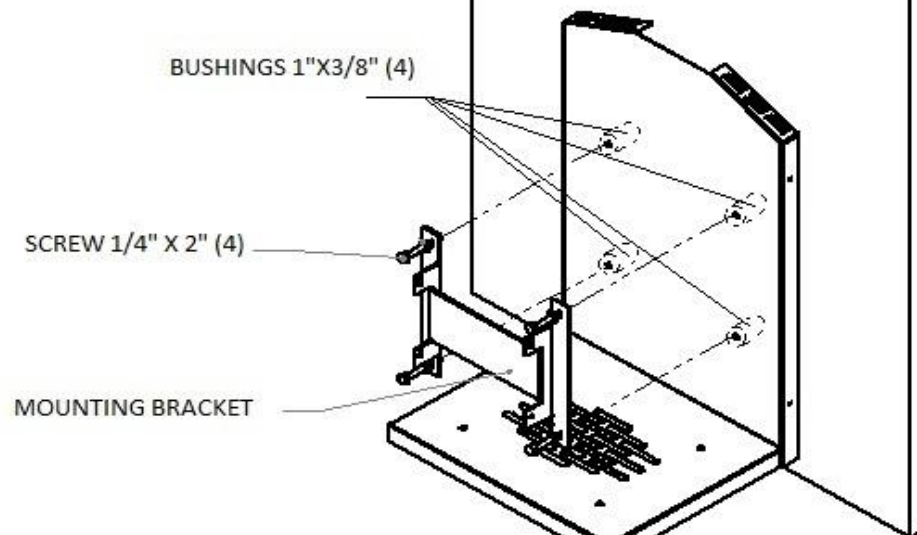


#3

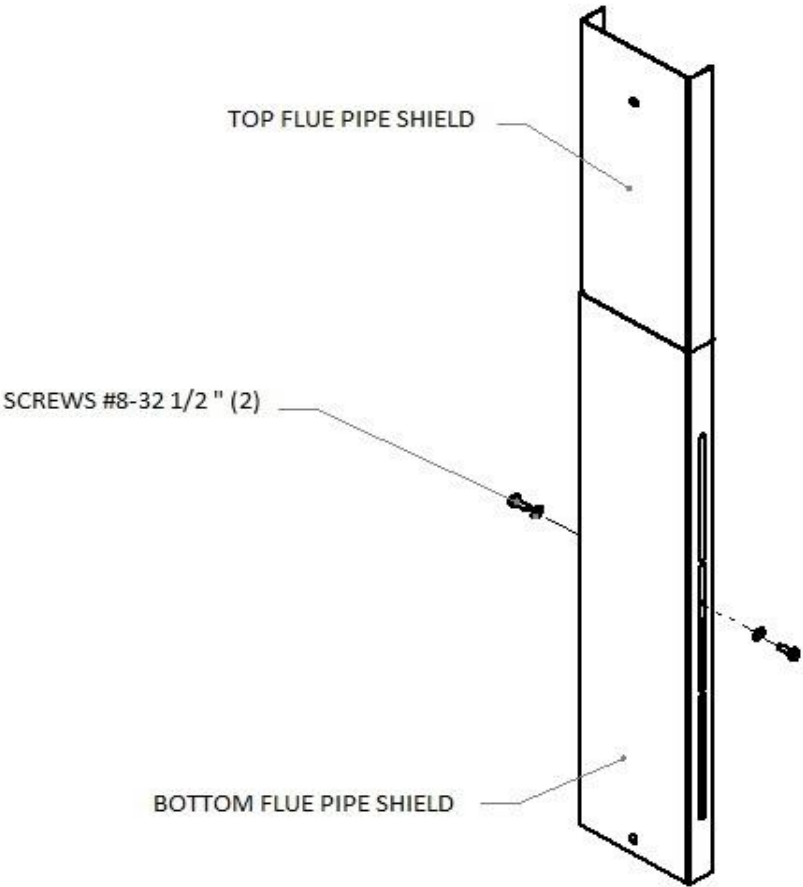
- A) ALIGN BACKPLATE ASSEMBLY, MOUNTING BRACKET, AND BUSHINGS WITH THE PILOT HOLES
B) INSERT (4) 2" LONG SCREWS INTO WALL

TIP: USE MASKING TAPE
TO HOLD BUSHINGS IN
PLACE BEFORE
INSERTING SCREWS

BACK PLATE ASSEMBLY
MOUNTING BRACKET
SCREWS 1/4" X 2" (4)
BUSHINGS 1" X 3/8" (4)



#4 PRE ASSEMBLE FLUE PIPE SHIELD BY SLIDING BOTH PANNELS INTO EACHOTHER AND SECURING THEM BY BOLTING THE SHIELDS TOGETHER WITH (2) 1/2" LONG SCREW AND AJUST TO REQUIRED LENGTH

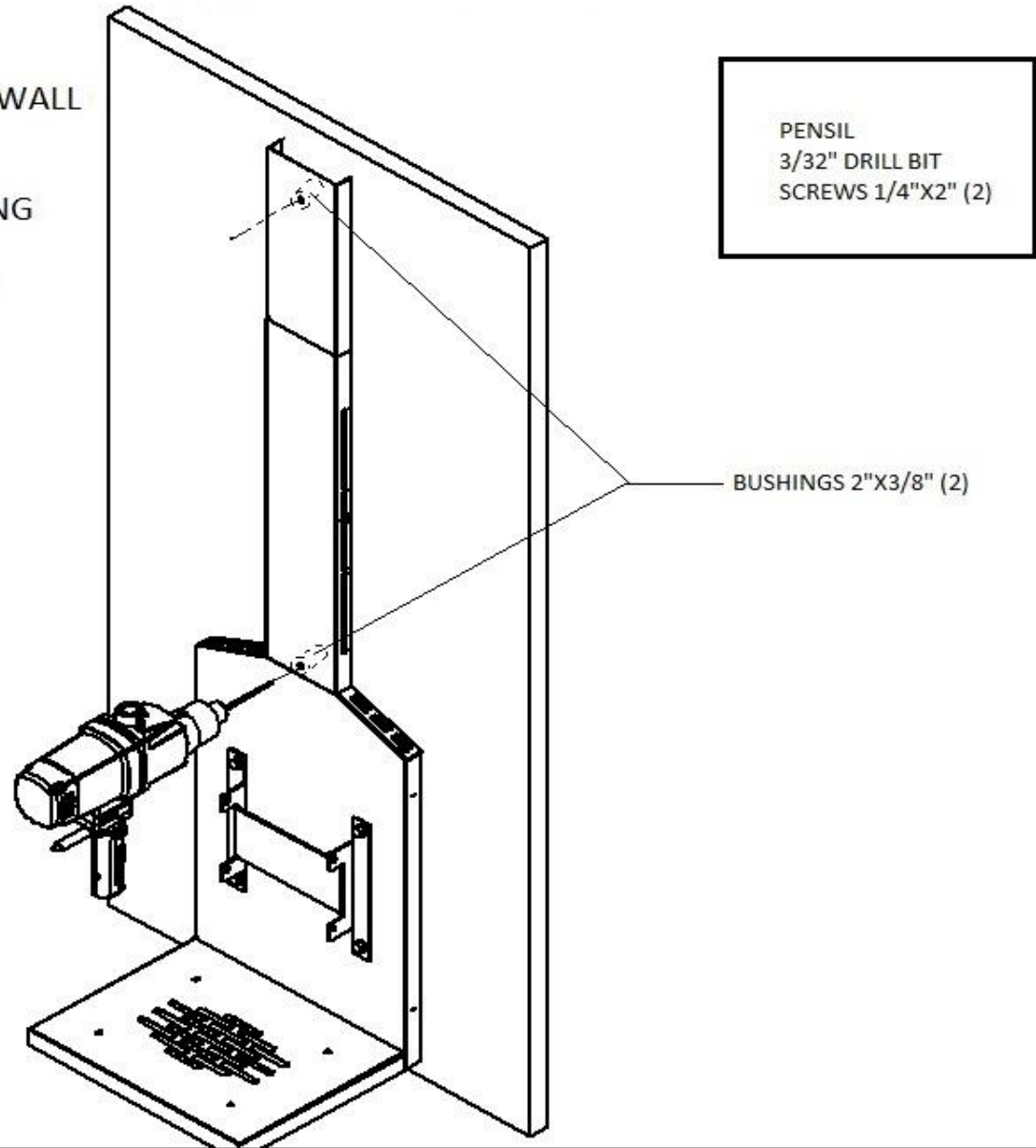


TOP FLUE PIPE SHIELD
BOTTOM FLUE PIPE SHIELD
SCREWS 38-32 1/2" (2)

#5

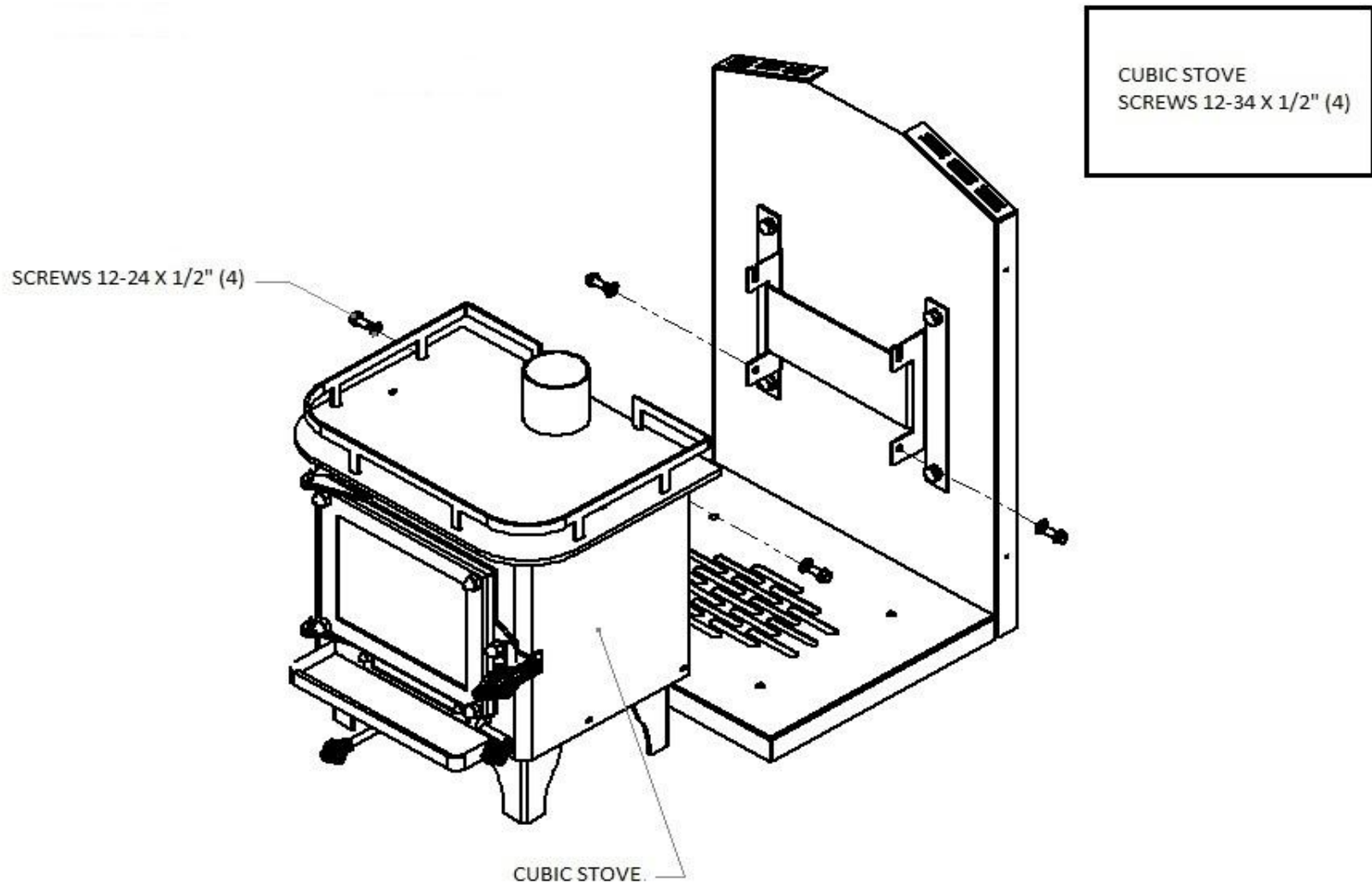
- A) MARK HOLES WITH PENSIL
- B) DRILL 3/32" PILOT HOLES INTO WALL
- C) MOUNT THE FLUE PIPE SHIELD ASSEMBLY TO WALL BY SECURING IT WITH 2 SCREWS THROUGH THE FLUE PIPE SHIELD AND THE BUSHINGS

TIP: USE MASKING TAPE TO HOLD BUSHINGS IN PLACE BEFORE INSERTING SCREWS



#6

- A) UNSCREW THE 2 BOTTOM SCREWS LOCATED IN THE BACK OF THE STOVE
- B) HOOK THE STOVE TO THE MOUNTING BRACKET
- C) SECURE THE STOVE TO THE MOUNTING BRACKET BY SCREWING THE 2 BOTOM SCREWS THROUGH THE BRACKET AND BACK INTO THE STOVE



#7

- A) SECURE THE LEGS OF THE STOVE TO THE BOTTOM SHELF USING (4) 10-32 1/2" LONG SCREWS
- B) ATTATCH THE SIDE PANNELS TO THE REAR HEAT SHIELD USING (4) 8-32 1/2 " SCREWS

