



Simply Engineered Better

Project _____

Item No. _____

Quantity _____

DF

Rotary Type Fully Automatic Glasswashing Machine



(Optional DF71 drain tray and waste collector is available but not shown)



STANDARD FEATURES

- 12" glass clearance accepts taller stemware
- Internal upper drain screen for improved filtration and ease of cleaning
- Self flushing rinse chamber reduces maintenance
- Reduced water usage
- Improved shut off mechanism
- Three-pump injection system for precise chemical dispensing
- Upper and lower wash and rinse arms produce sparkling clean glasses every time
- Double walled construction for quieter operation
- Cool final rinse water provides a cool glass ready for immediate use
- An internal shelf provides storage for three, 1-gallon (4 liter) containers
- Polypropylene conveyor eliminates chipping of fine stemware
- Internal rinse water tempering valve

SPECIFIER STATEMENT

Specified unit will be Moyer Diebel model DF Rotary Type, fully automatic glasswasher.

Unit will have detergent pump, sanitizer pump and rinse aid pump, standard upper and lower wash/rinse arms, wash tank heater, cold water final rinse, polypropylene conveyor, splash curtain, double-walled construction, storage space for three 1-gallon containers.

OPTIONS & ACCESSORIES

- | | |
|--|-------------|
| <input type="checkbox"/> Drain tray and waste collector (DF-71) | P/N 0712551 |
| <input type="checkbox"/> Quick disconnect package (incl. casters) | P/N 0707258 |
| <input type="checkbox"/> Casters; set of four – 2 locking, 2 regular | P/N 0701962 |
| <input type="checkbox"/> Hand sink and wet waste receiver (SW46) | P/N 0708453 |
| <input type="checkbox"/> Wash down hose | P/N 0701956 |
| <input type="checkbox"/> Site Glass kit | P/N 0712993 |

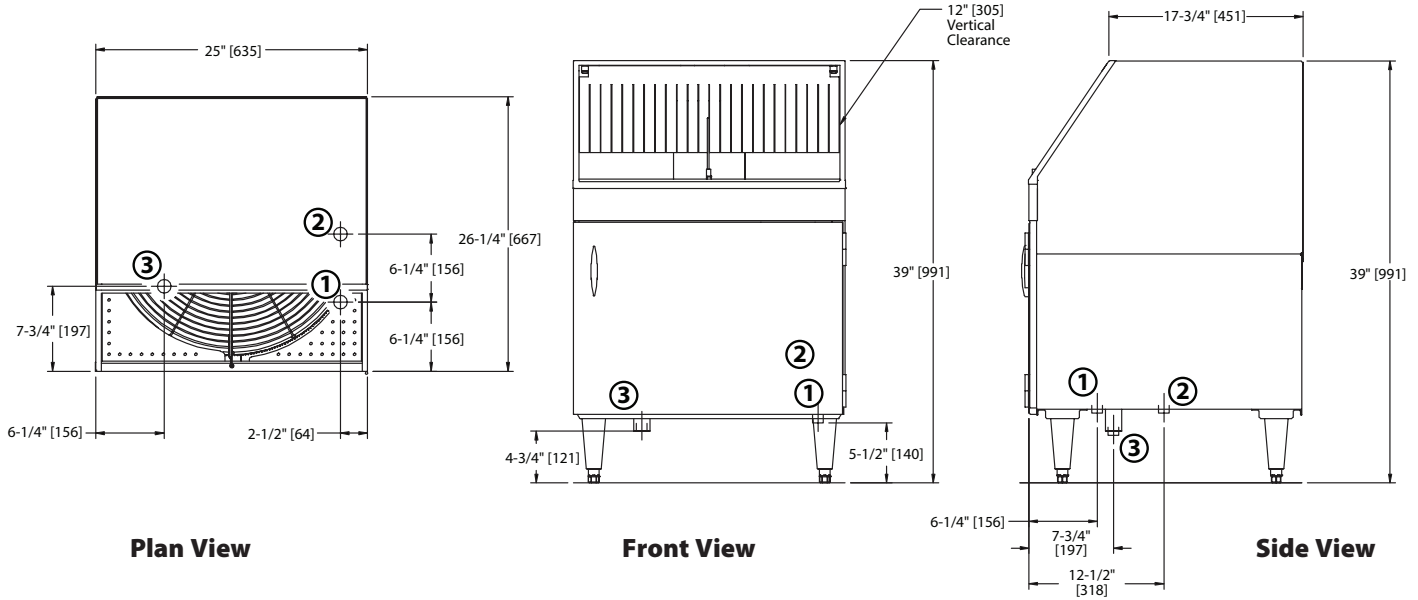


Simply Engineered Better

DF

Rotary Type Fully Automatic
Glasswashing Machine

Dimensions shown in inches and [millimeters]



UTILITIES

	Electrical 208 - 230/60/1, 15 amp
1	Hot water connection 1/2" [13] IPS. Flow pressure 25-95 psi [172.5-656 kPa]
2	Cold water connection 1/2" [13] IPS. Flow pressure 25-95 psi [172.5-656 kPa]
3	Drain connection 1-1/2" [38] tailpiece. Connect to drain size according to local plumbing code.

	Uncrated	Crated
Height	39" [991]	46-1/2" [1181]
Width	25" [635]	27" [685]
Depth	27" [686]	27-1/2" [698]
Ship Wt. lbs/kg	156/71	176/80

* Adjustable foot height - 11/4" [45]

NOTE: DF Models supplied with 6 ft. [1829] plug in cord. (NEMA 6-15P)

Warning: Plumbing and electrical connections must be made by qualified personnel who will observe all the applicable plumbing, sanitary and safety codes.

Due to an ongoing value analysis program at Moyer Diebel, specifications in this catalog are subject to change without notice.

SPECIFICATIONS

Capacity (hr.)

2-1/2" [64] glasses 1200

Water Consumption

Cold water (approx.) 2.5 US gpm;
9.5 l/m;
2.1 imp. gpm
Hot water (initial fill) 3 US gallons;
11.35 liters;
2.4 imp gallons
(Max use – approx. 12 US gph – 10 imp gph)

Temperatures °F/C

Inlet water (hot) 140-160/61-69
Inlet water (cold) 75/24

Heating

Tank heat, electric (kW) 3

Conveyor Movement

Clockwise

Moyer Diebel – USA
3765 Champion Blvd., NC 27105
336/661-1979 • Fax: 336/661-1979
www.moyerdiebel.com

(1M) 4/19

an Ali Group Company



The Spirit of Excellence