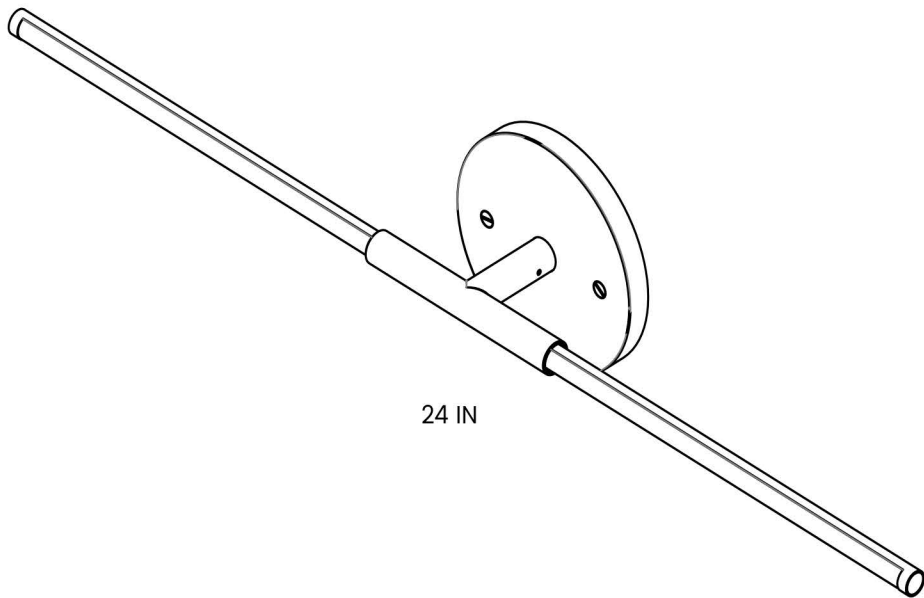
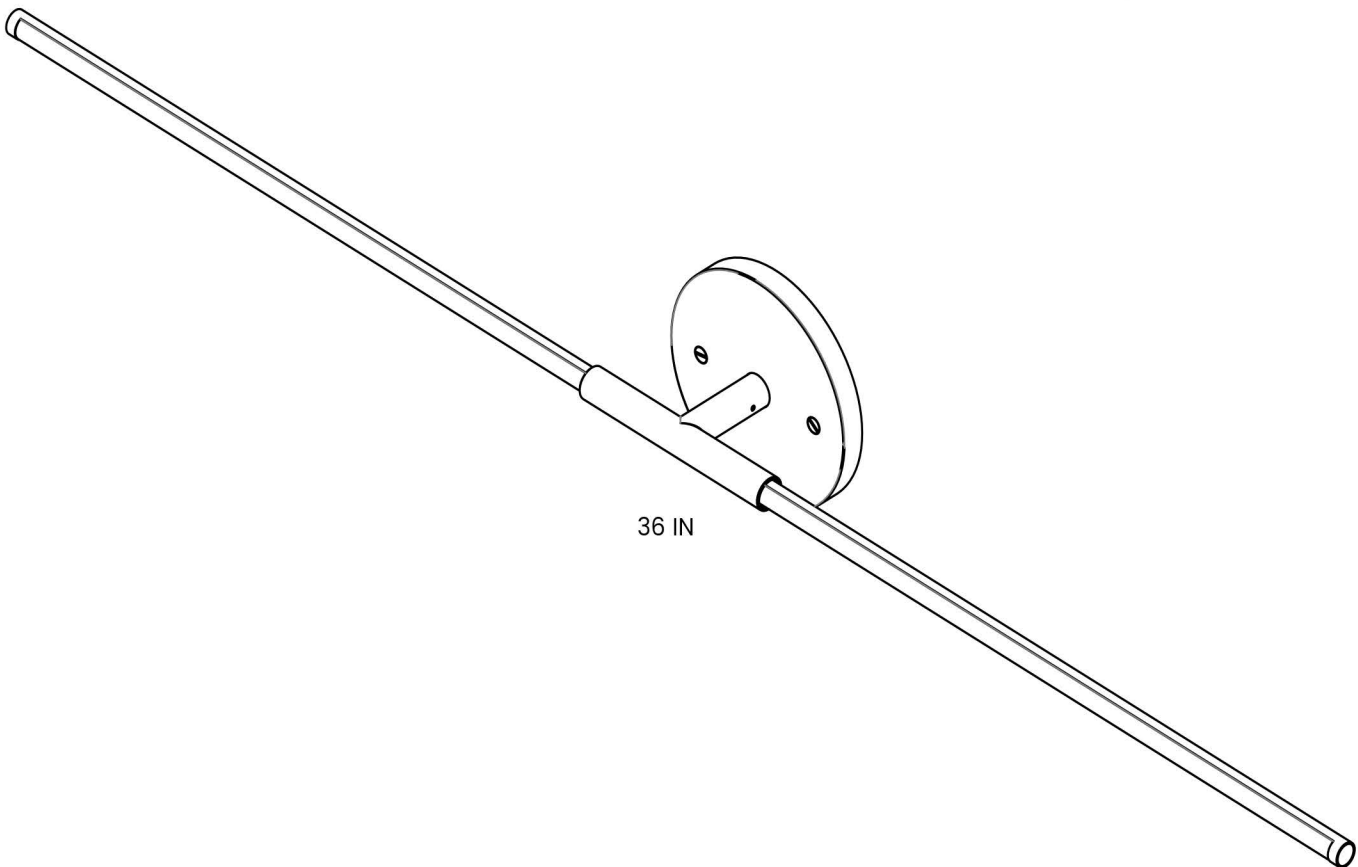


JUNIPER THIN RETRO FLOAT JUNCTION BOX MOUNTED LOCAL INSTALLATION GUIDE



24 IN



36 IN

WARNING

A LICENSED ELECTRICIAN SHOULD PERFORM INSTALLATION. DISCONNECT MAIN POWER AT THE SOURCE PRIOR TO INSTALLATION.

INSTRUCTIONS MEANT FOR A LOCAL CLASS 2 DRIVER.

STEP 1: INSTALLING THE FIXTURE

1

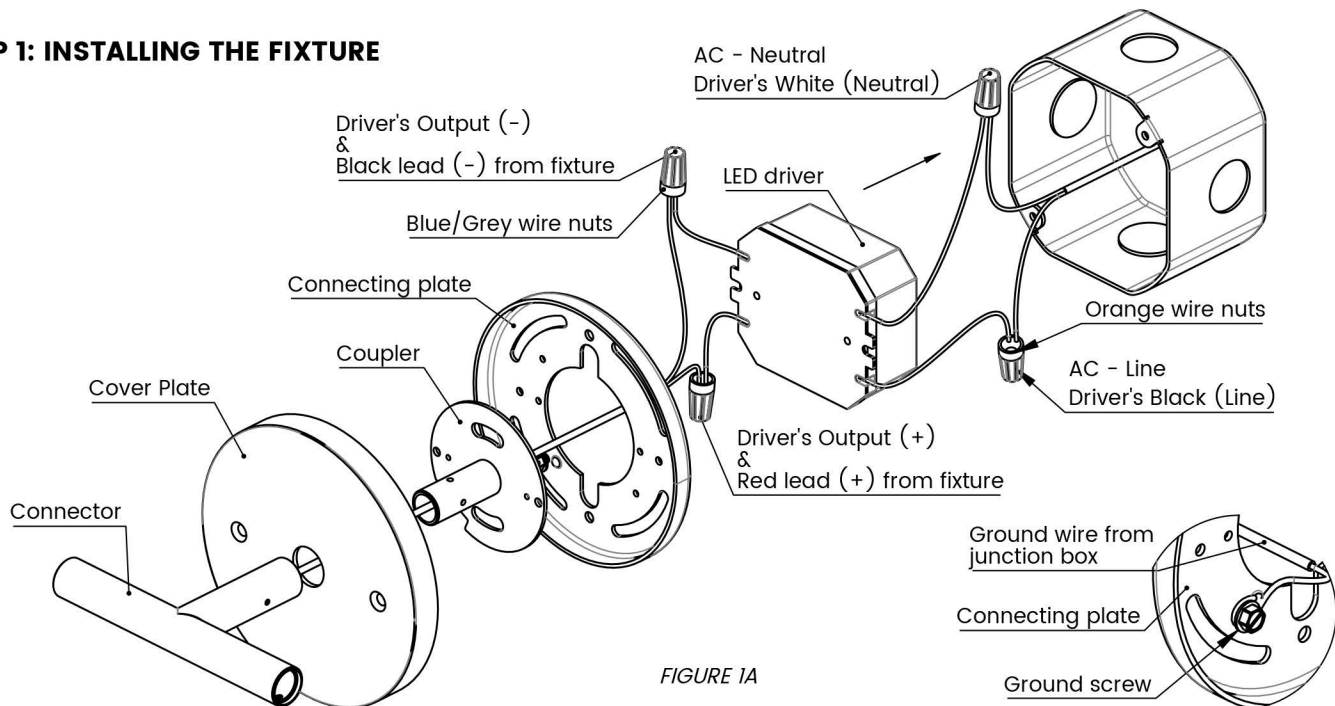


FIGURE 1A

FIGURE 1B

- A. Pass the wires coming out of the connector through the cover plate, coupler and connecting plate as shown in figure 1A.
- B. Connect the wires coming out of the connector to LED driver's output wires using provided blue/grey wire nuts as shown in figure 1A.
- C. Connect ground wire to ground screw on connecting plate as shown in figure 1B.
- D. Connect AC wires to LED driver's input wires using provided orange wire nuts as shown in figure 1A.

AC wires to the local LED driver are not provided.

2

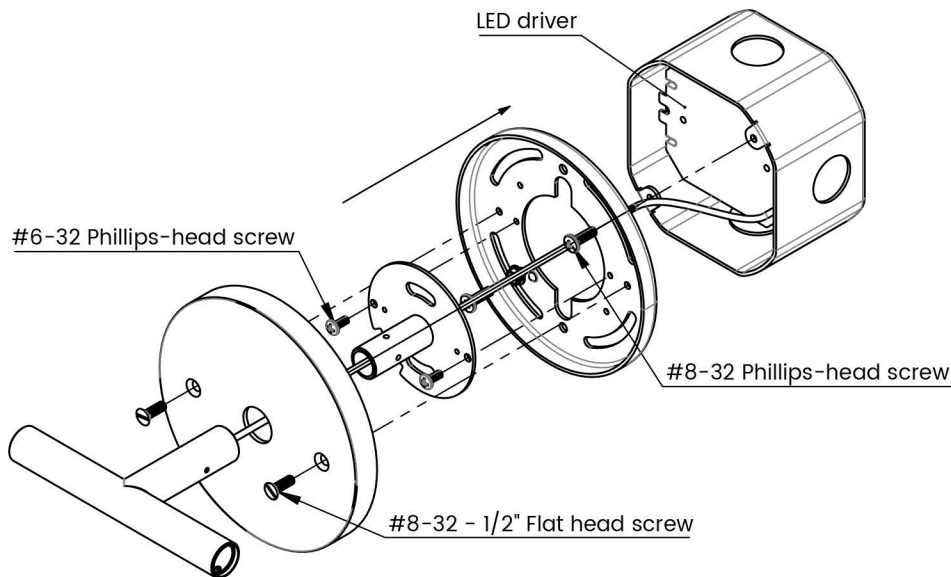


FIGURE 2

- A. Place the connected wires and LED driver inside junction box.
- B. Install connecting plate on junction box using provided #8-32 Phillips-head screws.
- C. Install coupler on connecting plate using provided #6-32 Phillips-head screws.
- D. Install cover plate on connecting plate using provided #8-32 - 1/2" flat head screws. Ensure that the screws are horizontally in line. If required, loosen the #8-32 Phillips-head screws on the connecting plate to adjust its orientation.

3

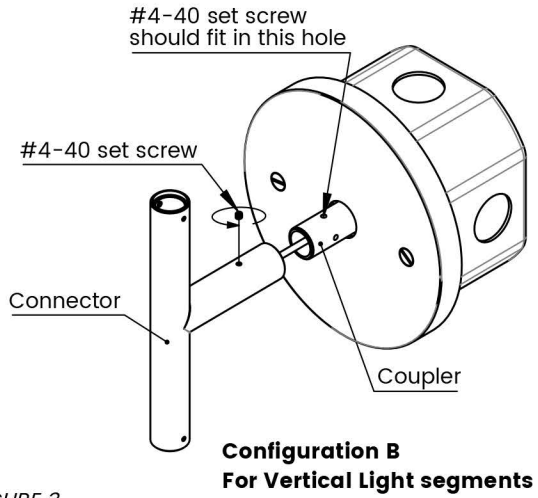
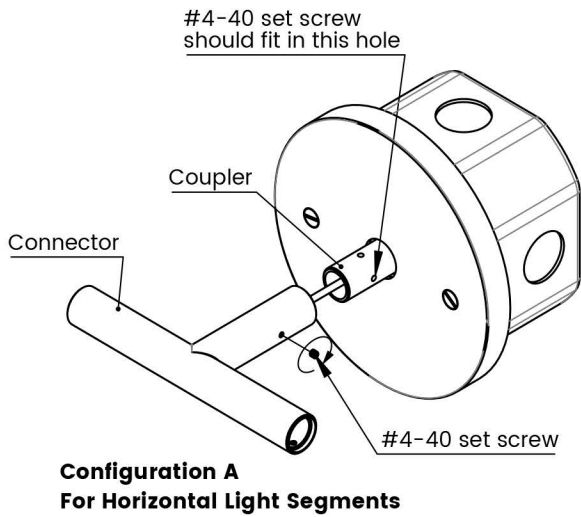


FIGURE 3

Install connector on the coupler using provided #4-40 set screw as shown. Make sure that the set screw fits inside the hole in the coupler. Connector can be installed in horizontal or vertical configuration as shown. **If the connector is not aligned correctly, remove the connector and cover plate. Loosen the #8-32 Phillips-head screws to adjust the orientation of connecting plate.**

STEP 2: INSTALLING LIGHT TUBE

The fixture is designed with an innovative magnetic connection. Simply insert the light tubes into the connectors for electrical contact to be made.

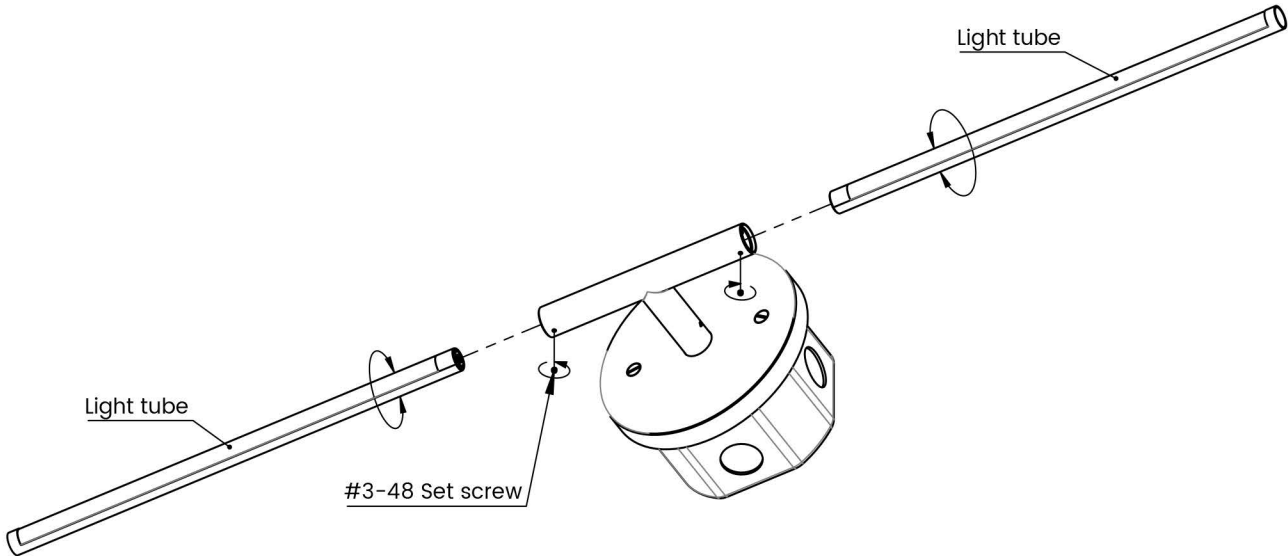


FIGURE 4

- A. Insert light tube into the connector.
- B. Rotate the light tube to adjust orientation.
- C. Use provided #3-48 set screw to level and lock the light tubes in place.

CARE INSTRUCTIONS

Brass will patina over time like other natural metals and regular care is required in order to retain the quality finish of your fixture for years to come.

Gently wipe with a damp cloth to remove dirt, dust, and fingerprints.

Do not use any chemical cleaning solution.

Use indoors only.