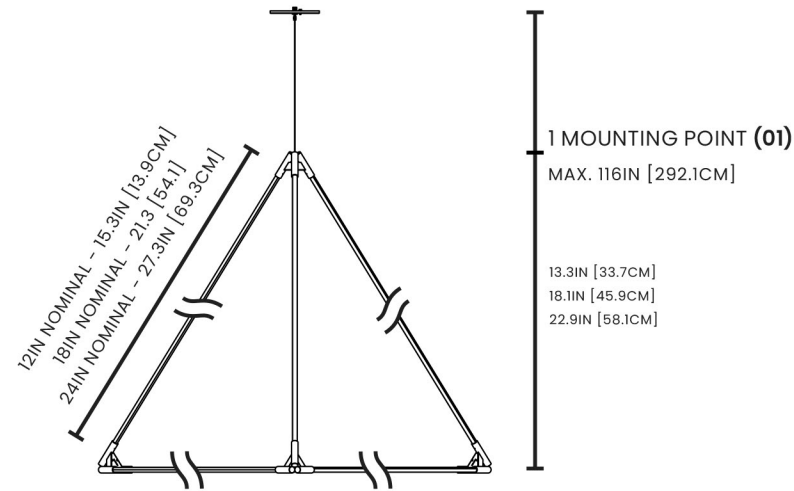
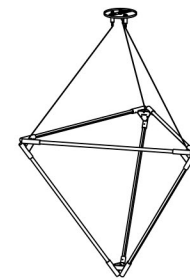


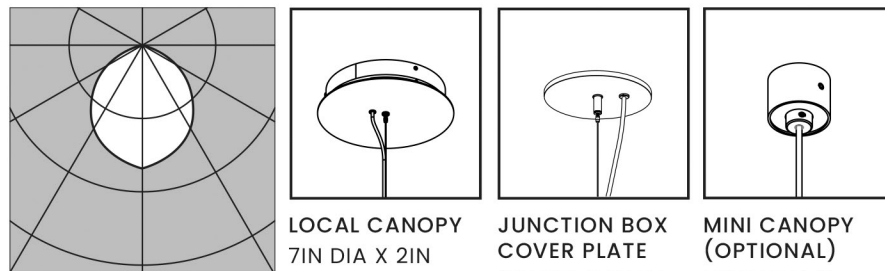
TECHNICAL | THIN Solids Tetrahedron



3 MOUNTING POINTS
 DIRECT-MOUNT TO
 CEILING (D3)



3 MOUNTING POINTS
 CENTER-MOUNT TO
 CANOPY (C3)



FROSTED LENS
 90° BEAM ANGLE

LOCAL CANOPY
 7" IN DIA X 2" IN

JUNCTION BOX
 COVER PLATE
 5" IN DIA X 0.5" IN

MINI CANOPY
 (OPTIONAL)
 1.25" IN DIA X
 1.125" IN

ILLUMINATION
 CRI 95+, R9 90+ standard
 2700K, 3000K, 3500K, 4000K options

12" segment 1800LM delivered/20.4W
18" segment 2700LM delivered/30.6W
24" segment 3600LM delivered/40.8W
 90LM/W
 50,000 hrs LED life L80

POWER
 24VDC output Class 2 constant
 voltage power supply
 120VAC input voltage
 Contact Juniper for alternate inputs

FINISHES
 Satin Brass, Black Oxide, Satin Nickel

MATERIALS
 Solid brass, PMMA

DIMMING
 2-Wire/TRIAC/Forward Phase
 0-10V
 3-Wire
 See Power Supply section for details
 Contact Juniper for alternate
 requirements

MOUNTING
 (x1 or x3) 1/16" aircraft cables, field
 adjustable
 16ft Clear-jacketed 22AWG co-axial
 silver cord, field adjustable
 1 or 3 mounting point options

SYSTEM RUN
 Limited by power supply wattage

BUILD A SPECIFICATION | THIN Solids Tetrahedron



SAMPLE SKU: JPR-THES-02-TET-12-27-C-R-01
 Black Oxide, 12" segments, 2700K, clear lens, remote power
 supply, suspended from one corner

CODE DEFINITIONS

FINISHES



01 Satin Brass 02 Black Oxide 03 Satin Nickel 40 Bronze

SEGMENTS

12 12 inch - 1800LM delivered / 20.4W
18 18 inch - 2700LM delivered / 30.6W
24 24 inch - 3600LM delivered / 40.8W

Contact Juniper for custom segment lengths

COLOR TEMPERATURE

27 2700K
30 3000K
35 3500K
40 4000K

LENS

F Frosted - 90° beam angle

MOUNTING POINTS

01 1 Mounting Point
 Suspended from 1 corner
D3 3 Mounting Points, Direct-Mount to Ceiling
 Suspended from 3 corners
C3 3 Mounting Points, Center-Mount to Canopy
 Suspended from 3 corners

POWER SUPPLY OPTIONS

R. REMOTE

STANDARD 120-277V INPUT - 2-WIRE/TRIAC/FORWARD
 PHASE/ELV

STANDARD 120-277V INPUT - 0-10V

LUTRON 120V INPUT - TRIAC DIMMING (40W) (UPCHARGE)

LUTRON 120-277V INPUT - 3-WIRE (UPCHARGE)

L. LOCAL

STANDARD 120-277V INPUT - TRIAC/0-10V/ELV DIMMING

Our team will determine correct wattages for power supplies
 based on chosen configuration. Contact Juniper for custom
 requirements or further power supply specifications.

Project	Type
Notes	