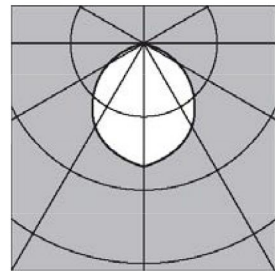
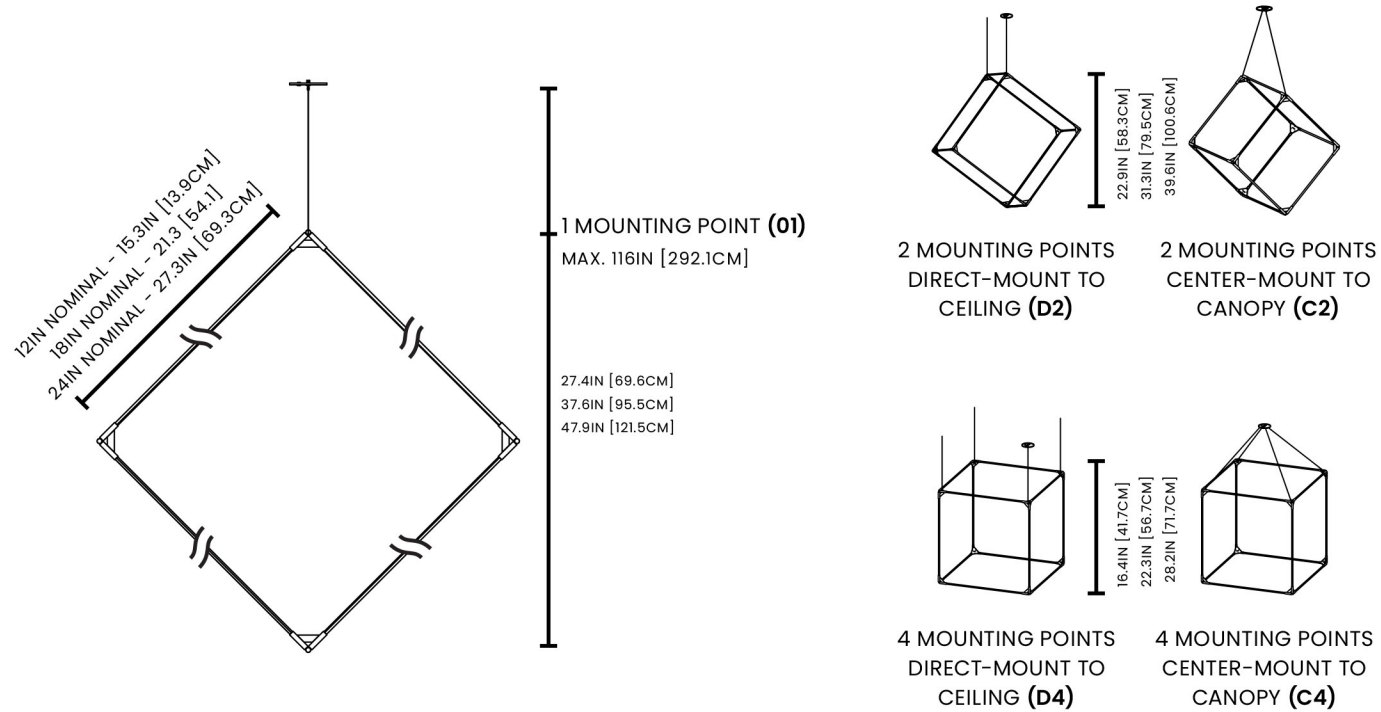
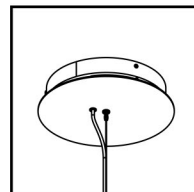


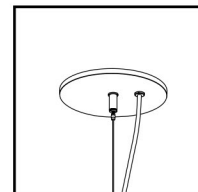
TECHNICAL | THIN Solids Cube



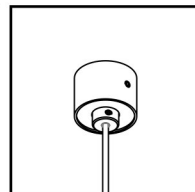
FROSTED LENS
90° BEAM ANGLE



LOCAL CANOPY
7IN DIA X 2IN OR
12.5IN DIA X 2IN
(FOR >54W)



JUNCTION BOX
COVER PLATE
5IN DIA X 0.5IN



MINI CANOPY
(OPTIONAL)
1.25IN DIA X
1.125IN

ILLUMINATION

CRI 95+, R9 90+ standard
2700K, 3000K, 3500K, 4000K options

12" segment 3600LM delivered/40.8W
18" segment 5400LM delivered/61.2W
24" segment 7200LM delivered/81.6W
90LM/W
50,000 hrs LED life L80

POWER

24VDC output Class 2 constant
voltage power supply
120VAC input voltage
Contact Juniper for alternate inputs

FINISHES

Satin Brass, Black Oxide, Satin Nickel

MATERIALS

Solid brass, PMMA

DIMMING

2-Wire/TRIAC/Forward Phase
0-10V
3-Wire
See Power Supply section for details
Contact Juniper for alternate
requirements

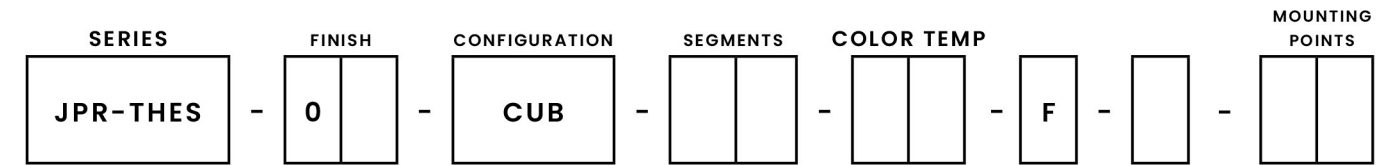
MOUNTING

(x1 or x3) 1/16" aircraft cables, field
adjustable
16ft Clear-jacketed 22AWG co-axial
silver cord, field adjustable
1, 2, or 4 mounting point options

SYSTEM RUN

Limited by power supply wattage

BUILD A SPECIFICATION | THIN Solids Cube



SAMPLE SKU: JPR-THES-01-CUB-24-30-F-R-D2

Satin Brass, 24" segments, 3000K, frosted lens, remote power
supply, suspended from two corners

CODE DEFINITIONS

FINISHES



01 Satin Brass 02 Black Oxide 03 Satin Nickel

SEGMENTS

12 12 inch - 3600LM delivered / 40.8W
18 18 inch - 5400LM delivered / 61.2W
24 24 inch - 7200LM delivered / 81.6W

Contact Juniper for custom segment lengths

COLOR TEMPERATURE

27 2700K
30 3000K
35 3500K
40 4000K

LENS

F Frosted - 90° beam angle

MOUNTING

- 01** 1 Mounting Point
Suspended from 1 corner
- D2** 2 Mounting Points, Direct-Mount to Ceiling
Suspended from 2 corners
- C2** 2 Mounting Points, Center-Mount to Canopy
Suspended from 2 corners
- D4** 4 Mounting Points, Direct-Mount to Ceiling
Suspended from 4 corners
- C4** 4 Mounting Points, Center-Mount to Canopy
Suspended from 4 corners

POWER SUPPLY OPTIONS

R. REMOTE

STANDARD 120-277V INPUT - 2-WIRE/TRIAC/FORWARD
PHASE/ELV

STANDARD 120-277V INPUT - 0-10V

LUTRON 120-277V INPUT - 3-WIRE (UPCHARGE)

L. LOCAL

STANDARD 120-277V INPUT - TRIAC/0-10V/ELV DIMMING

Our team will determine correct wattages for power supplies
based on chosen configuration. Contact Juniper for custom
requirements or further power supply specifications.

Project	Type
Notes	