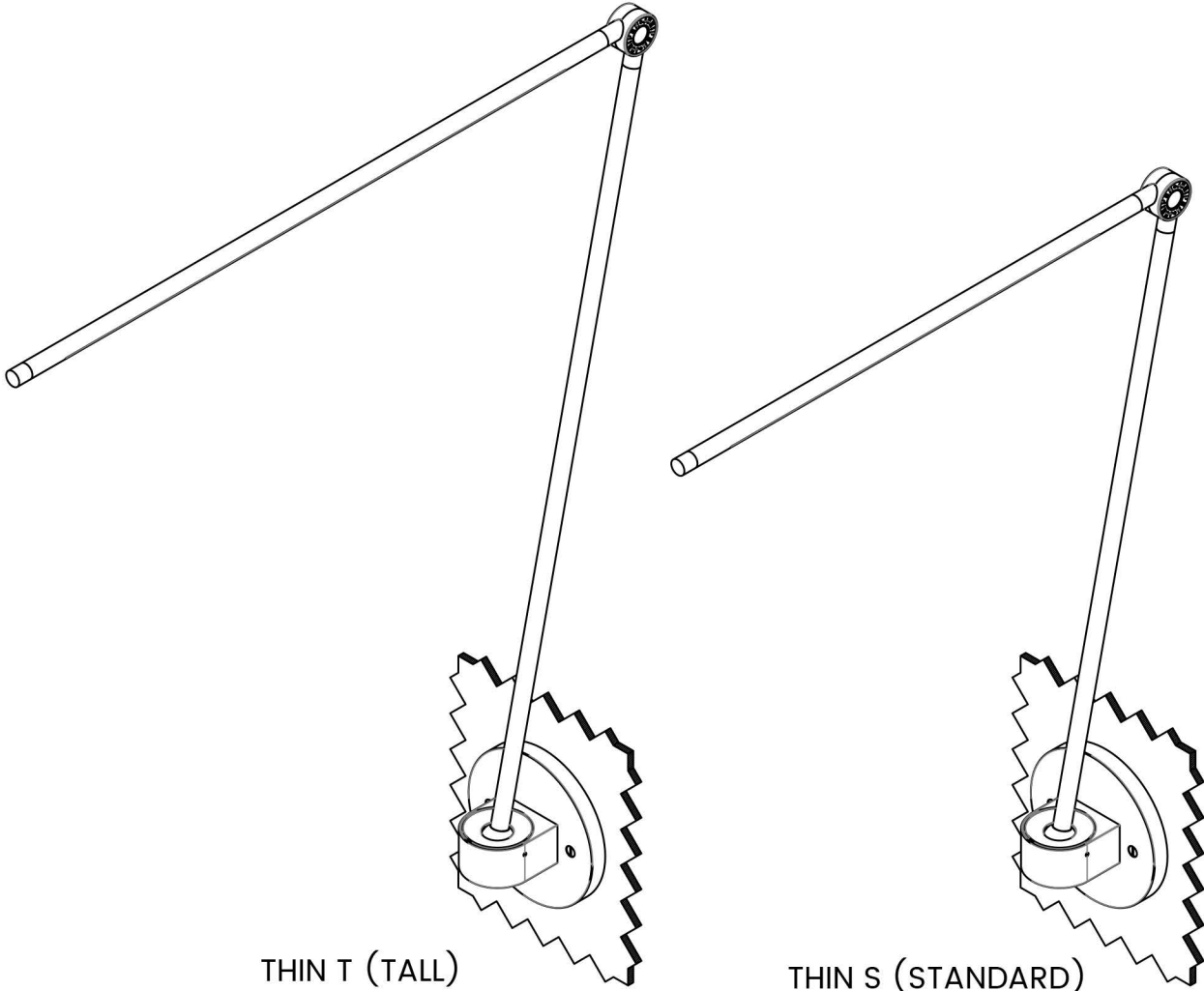


THIN TASK LAMP with Wall-Mount, Plug-In by Juniper Installation Guide



CARE INSTRUCTIONS

Brass will patina over time like other natural metals and regular care is required in order to retain the quality finish of your THIN fixture for years to come.

Gently wipe with a damp cloth to remove dirt, dust, and fingerprints.

Do not use any chemical cleaning solution.

Use indoors only.

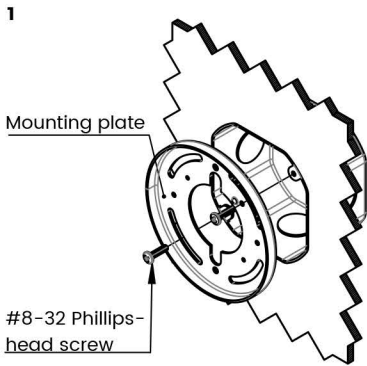


FIGURE 1

Install the mounting plate on the junction box using provided #8-32 Phillips-head screws

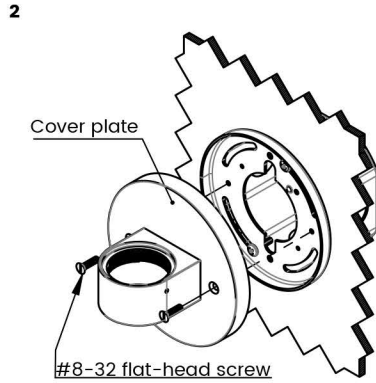


FIGURE 2

Install the cover plate on the junction box using provided #8-32 flat-head screws

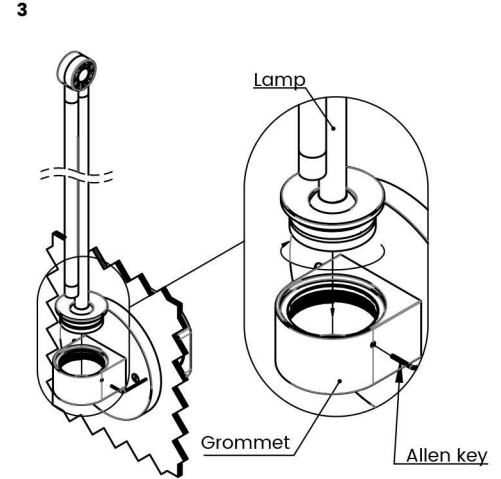


FIGURE 3

Screw the lamp into the grommet and use the provided Allen key to tighten the set screw in order to secure the lamp in place. **Keep the lamp in a closed position as depicted above during installation.**

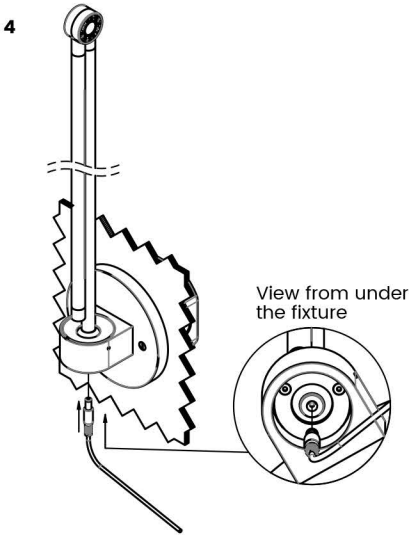


FIGURE 4

Insert the DC jack into the plug located at the bottom of the fixture.

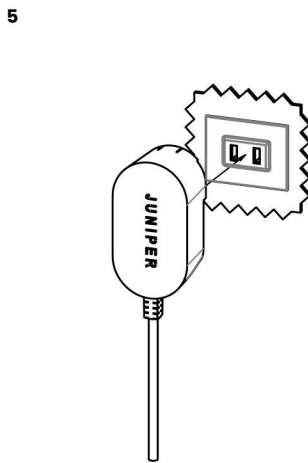


FIGURE 5

Plug the provided adapter in the wall socket to power the fixture.

POWERING THE LAMP

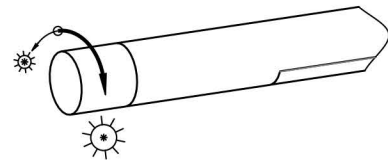


FIGURE 6

The knob at the tip of the lamp acts as a switch and dimmer. **Turn clockwise** to switch the lamp 'ON' and to change intensity of light from low to high.

USING AND ADJUSTING THE LAMP

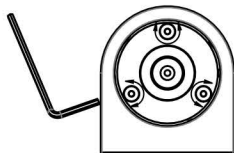


FIGURE 7

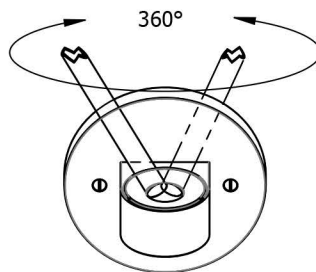


FIGURE 8

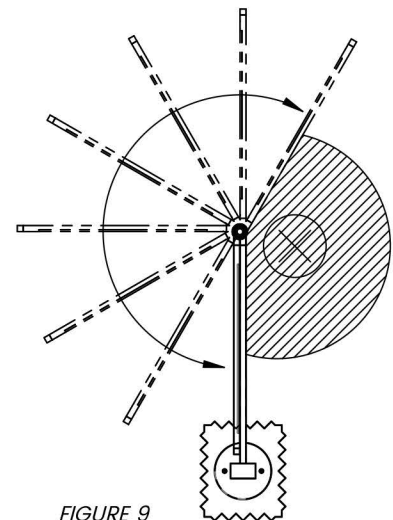


FIGURE 9

The lamp pivots around its central hinge and also rotates on its ball joint at the base of the lamp. **Be cautious not to force the lamp outside of its usable range.** The tension of the ball joint can be adjusted by tightening or loosening the three screws on the bottom of the lamp as shown in figure 7.