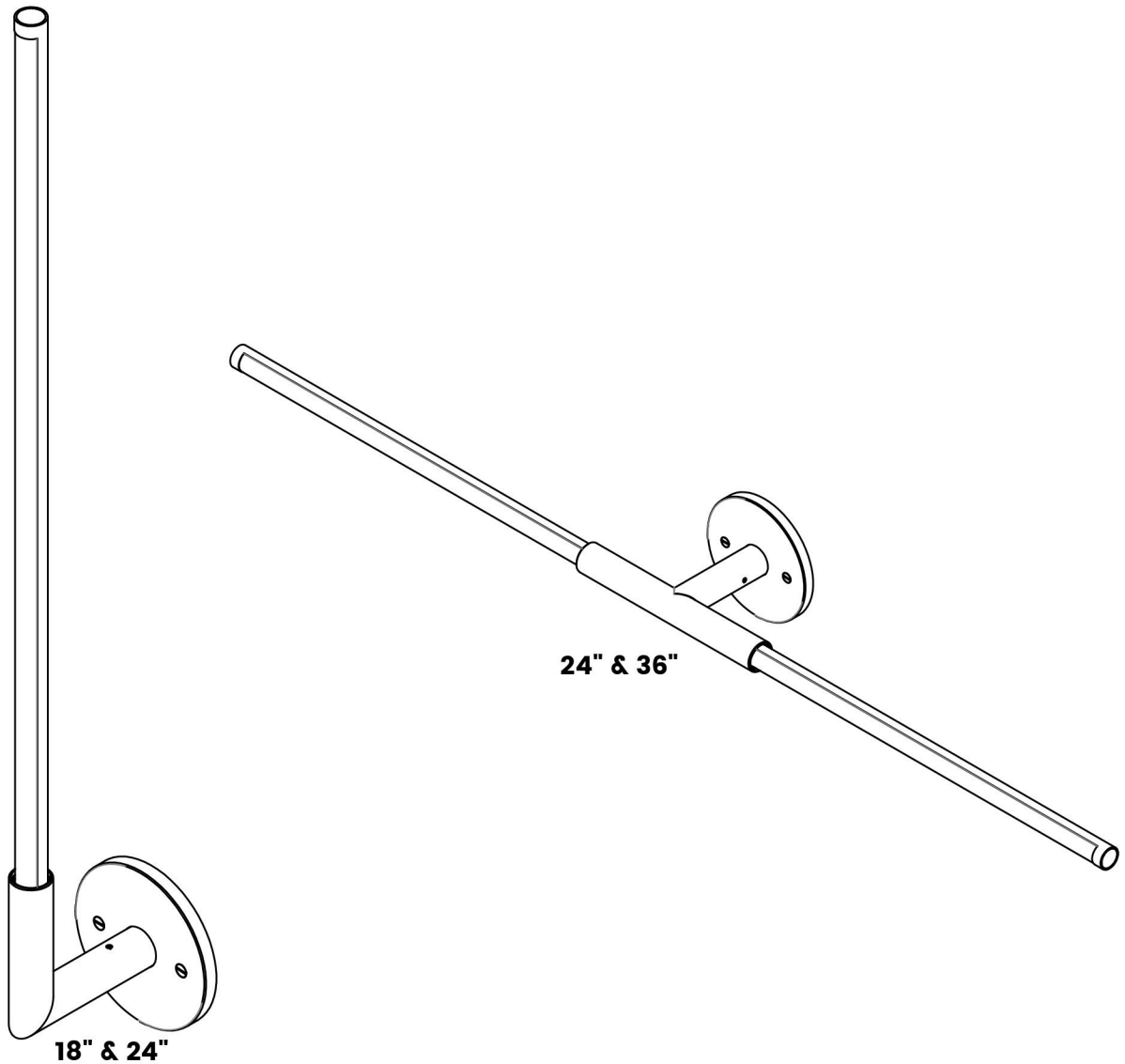


# Thin Float - Wall - Mounted Remote Installation Guide

## JPR-FLO-0 \_ - \_ - \_ - \_ - F - \_ - W



### CARE INSTRUCTIONS

Brass will patina over time like other natural metals and regular care is required in order to retain the quality finish of your fixture for years to come.

Gently wipe with a damp cloth to remove dirt, dust, and fingerprints.

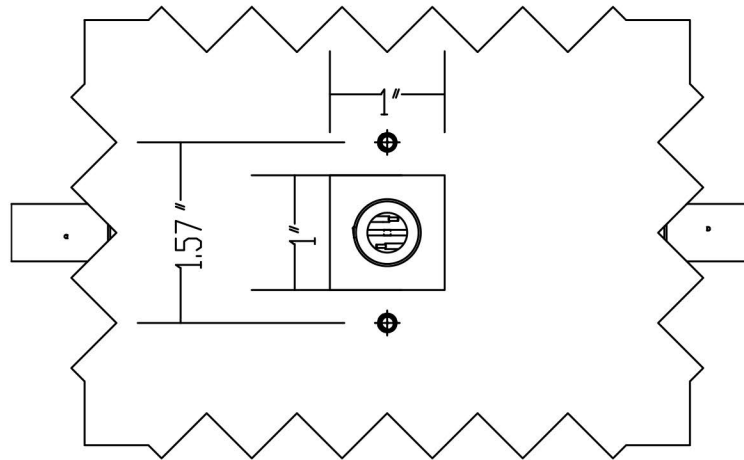
Do not use any chemical cleaning solution.

Use indoors only.

**WARNING**  
**A LICENSED ELECTRICIAN SHOULD PERFORM INSTALLATION.**  
**DISCONNECT MAIN POWER AT THE SOURCE PRIOR TO INSTALLATION.**

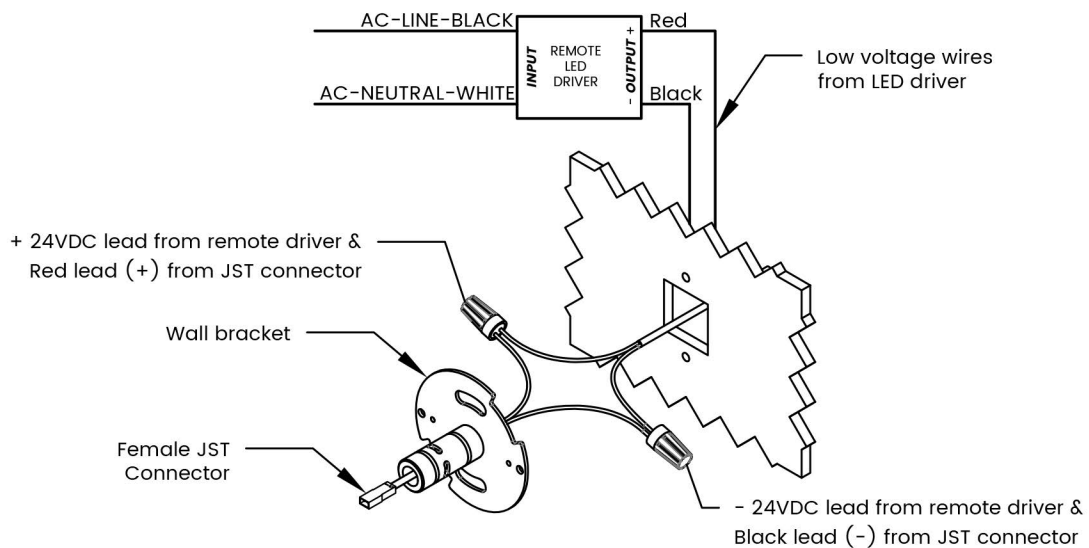
**INSTRUCTION MEANT FOR REMOTE CLASS 2 DRIVERS.**

### STEP 1: MARK MOUNTING POINTS AND MAKE CUT-OUT

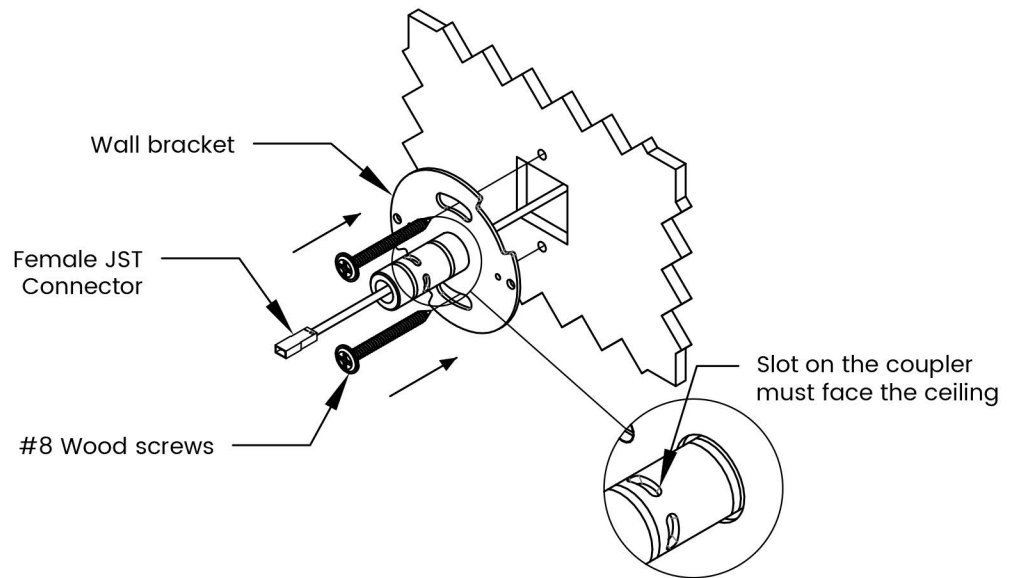


Carefully mark the mounting points with a pencil or marker, using the spacing in the above figure or provided stencil (last page) Make a cut-out no bigger than 1"x1", between the two marking points to receive low voltage wires from the remote LED driver.

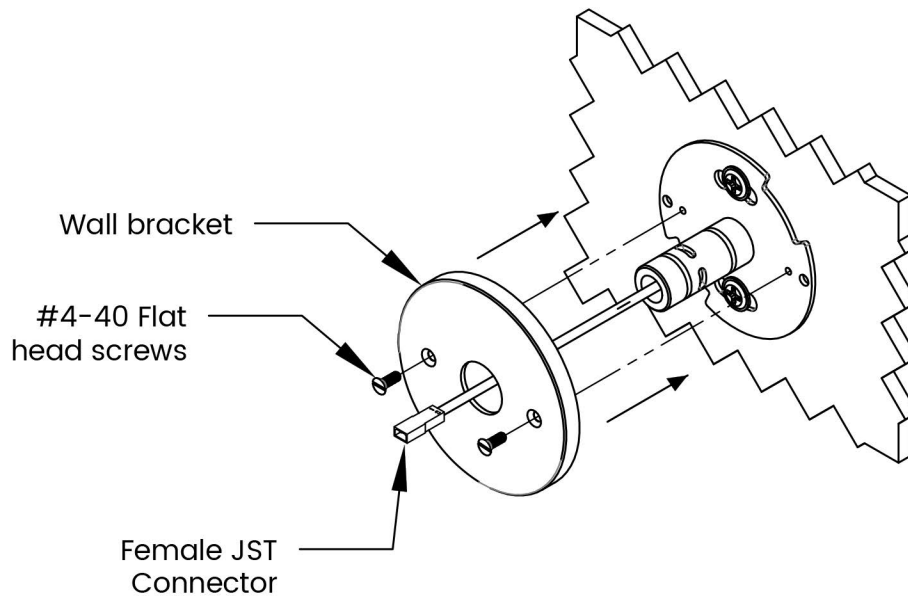
### STEP 2: WIRING



1. Make connections between provided Female JST connector and wires from the driver as show above. **Wires to and from the driver are not provided.**
2. Pass the Female JST connector through the wall bracket.

**STEP 3: INSTALLING WALL BRACKET**

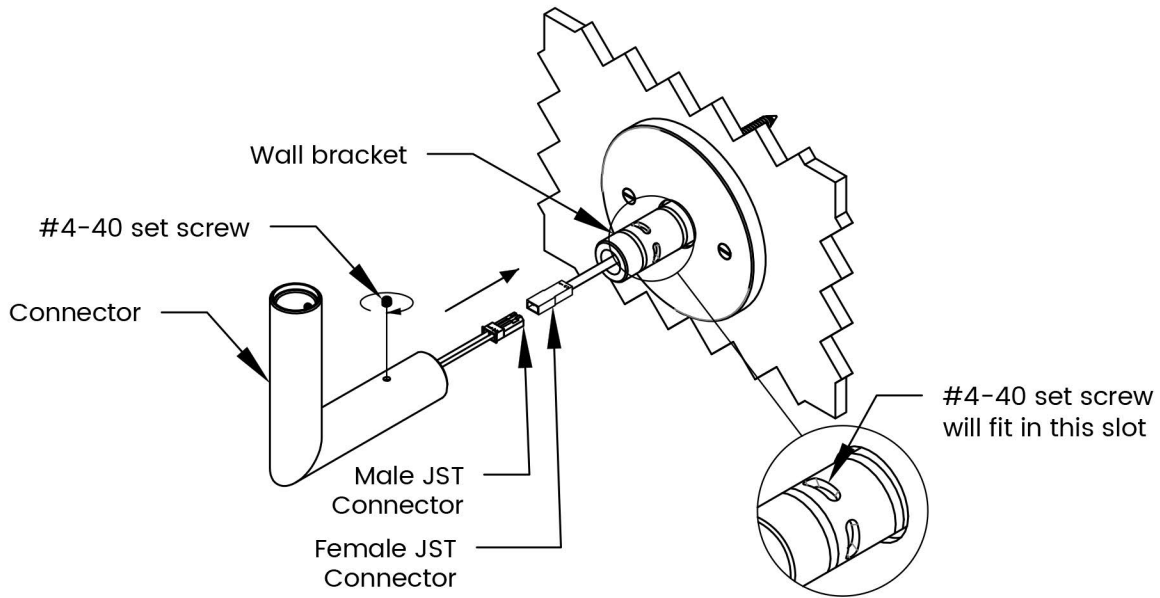
1. Pass the female JST connector through the wall bracket and secure the wall bracket using #8 wood screws or stud/toggle bolt.
2. Make sure the slot on the coupler is facing the ceiling.

**STEP 4: INSTALLING COVER PLATE**

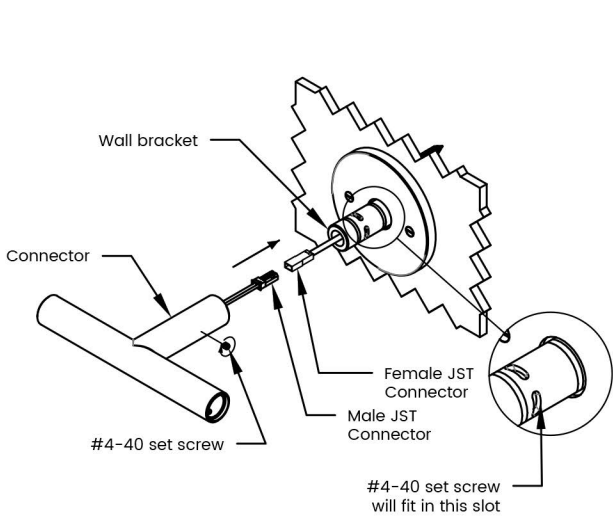
Mount the cover plate using provided #4-40 flat head screws and secure it with the wall bracket.

**STEP 5: ORIENTATION & INSTALLATION OF CONNECTOR**

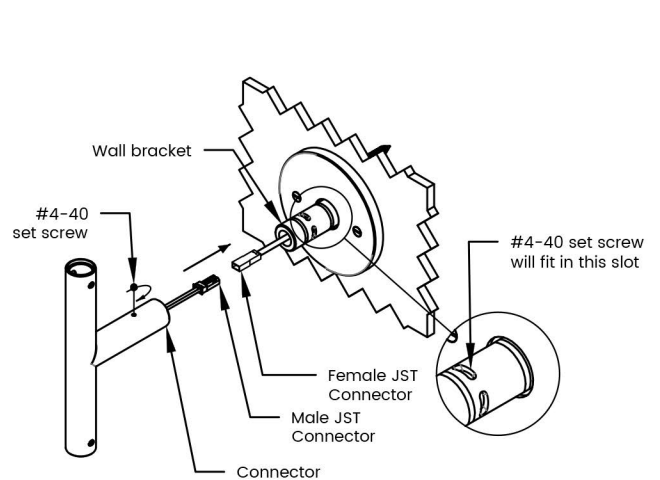
**(A) SINGLE FLOAT**



**(B) RETRO FLOAT**

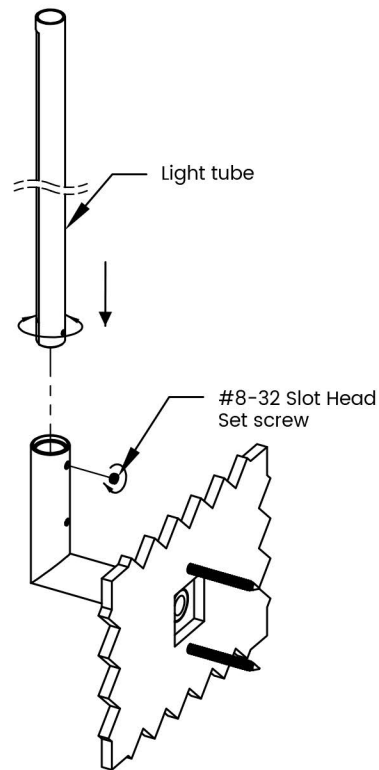
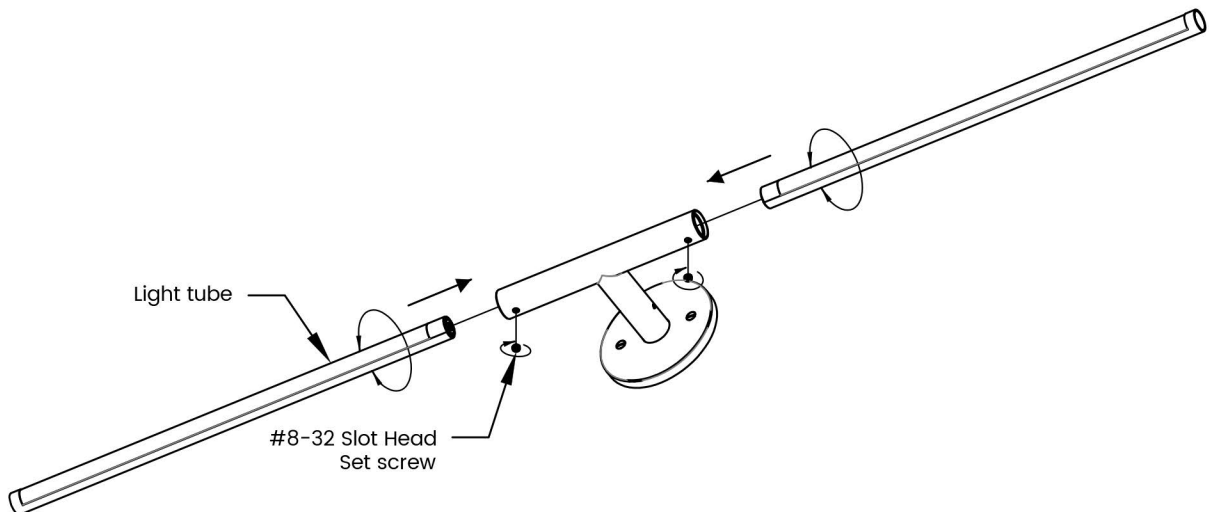


For Horizontal Light Segments



For Vertical Light Segments

1. Connect the female JST from wall to the male JST from the connector.
2. Push the JST connection into the wall.
3. Install the connector on the wall mount using provided #4-40 set screw. Slots on the coupler provide means to make small adjustment in the connector angle. Make sure that the set screw fits inside the coupler.

**STEP 6: INSTALLING LIGHT TUBE****(A) SINGLE FLOAT****(B) RETRO FLOAT**

The fixture is designed with an innovative magnetic connection. Simply insert the light tube into the connector for electrical contact to be made.

1. Insert light tube into the connector.
2. Rotate the light tube to adjust orientation.
3. Gently turn the provided #8-32 slot head set screw to lock light segment in place.
4. To change the orientation of light segment make sure unscrew the #8-32 slot head set screw before turning the light segment and gently screw it back when desired orientation is achieved.

**STENCIL FOR USE**  
**Scale 1:1**

