

# FLUTE SCONCE by DUNN

## DESCRIPTION

Engineered for both convenience and inspiration, the articulating minimalist Flute Sconce freely moves to shed light in the direction of your books, decor, or your next bright idea.

## DETAILS

Lead Time | 4-6 weeks

Materials | Steel and brass

Weight | 1 lbs

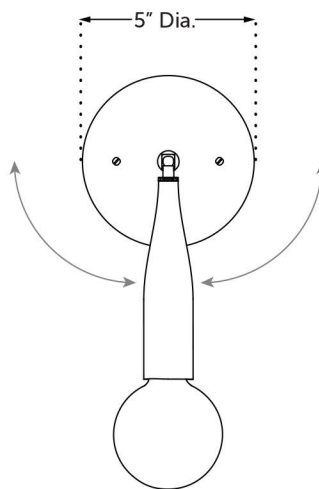
Dimensions | Varies based on position of flute. Curved arrows indicate flute's range of motion from side to side, up and down.

Canopy | 5" Diameter x 1" Depth

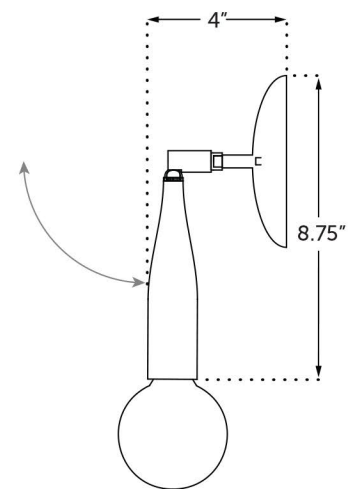
Lamping | 120V/60Hz, E26 socket

Made In | USA

## FRONT VIEW



## SIDE VIEW



## FINISHES

Powder coat options:



| Black Poppy (BP)



| Country Cream (CC)

Metal detail options:



| Brass (B)



| Nickel (N)

Metal details include canopy screw caps and articulating arm and rod.

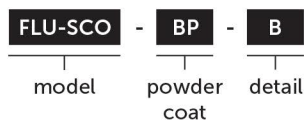
## BULBS

Sold separately. Please visit our website for details. Many styles of bulbs work with our fixtures. Please refer to the lamping specifications to determine compatibility.

## CUSTOMIZATION

Custom metal and powder coat colors are available.

## ASSEMBLING PRODUCT SKUS



## CERTIFICATIONS



Finish samples sold online.

Each piece is built to order.

Designed by Studio DUNN, 2016

DSHOP  
P: 410-456-2970  
E: shop@thepages.com  
W: shop.thepages.com