

# LINDEN TABLE LAMP DUNN

## DESCRIPTION

A contemporary table lamp with a linen shade and body, hardwood base, and brass details. The structural shape is derived from classic mid-century modern form language. Linen fabric gives a lustrous, glowing quality.

## DETAILS

Lead Time | 8–10 Weeks

Materials | Linen, brass, steel, hardwood

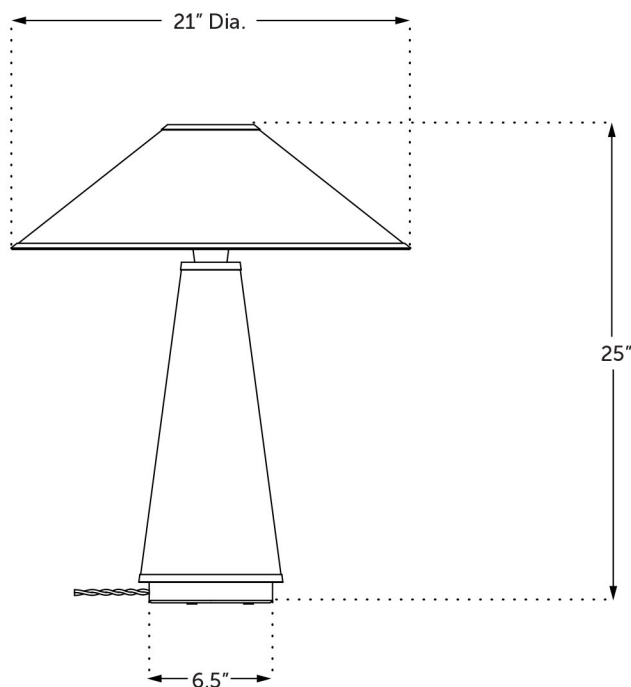
Weight | 4.5 lbs

Dimensions | 25" Height x 21" Diameter

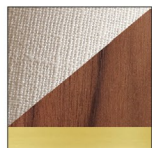
Lamping | 120V/60Hz, E26 socket, 60W max

Made In | USA

## FRONT VIEW



## FINISH OPTIONS



**LND-TL-CL-WB**  
Cream Linen Shade  
and Lamp Body  
Walnut Base  
Brass Details



**LND-TL-CH-MB**  
Charcoal Linen Shade  
and Lamp Body  
Maple Base  
Brass Details



**LND-TL-BL-MB**  
Black Linen Shade  
and Lamp Body  
Maple Base  
Brass Details

## BULBS

Sold separately. Please visit our website for details. Many styles of bulbs work with our fixtures. Refer to the lamping specifications to determine compatibility.

## CUSTOMIZATION

Please contact us for customization options.

## CERTIFICATIONS



Finish samples sold online.

Each piece is built to order.

Designed by Studio DUNN, 2018