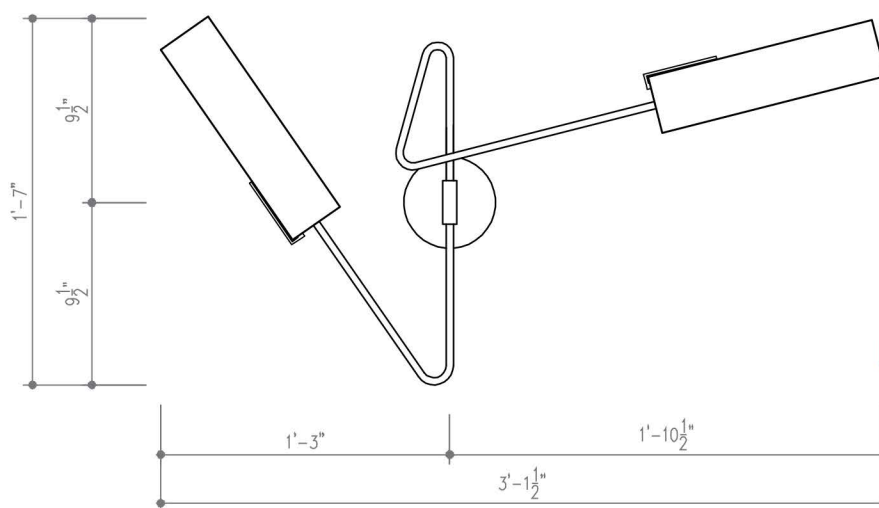


# Continuum Sconce Model 03

All sconces are available right or left handed.



Model 03: Right



Model 03: Left

## Materials

Structure: Brass.

Metal finishes: brushed Brass, antique Brass, satin Nickel, Pewter, and oil-rubbed Bronze.

Glass shades: standard colors are white, aqua, light gray, slate, topaz, and charcoal. Custom colors are available, please contact the studio for more information.

## Dimensions:

Model 03: 19" high, 37.5" wide, 8-24" deep

## Lamping:

One 4W G9 2700K dimmable LED bulb per shade (40W incandescent equivalent) 120V or 240V.

## UL Listed

## Continuum Sconce Metal Finishes

---



satin Brass



antique Brass



satin Nickel



Pewter



oil-rubbed Bronze

## Continuum Sconce Glass Colors

---



white



aqua



light grey



slate to white fade



topaz



charcoal to white fade