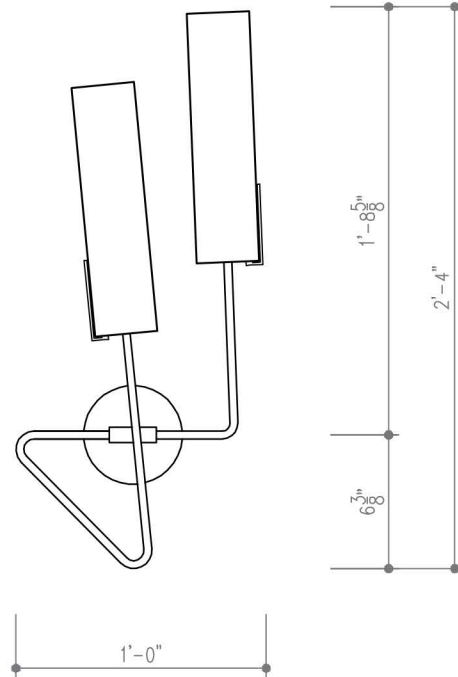


Continuum Sconce Model 01

All sconces are available right or left handed.



Model 01: Left



Model 01: Right

Materials

Structure: Brass.

Metal finishes: brushed Brass, antique Brass, satin Nickel, Pewter, and oil-rubbed Bronze.

Glass shades: standard colors are white, aqua, light gray, slate, topaz, and charcoal. Custom colors are available, please contact the studio for more information.

Dimensions:

Model 01: 28" high, 12" wide, 7.5" deep

Lamping:

One 4W G9 2700K dimmable LED bulb per shade (40W incandescent equivalent) 120V or 240V.

UL Listed

Continuum Sconce Metal Finishes



satin Brass



antique Brass



satin Nickel



Pewter



oil-rubbed Bronze

Continuum Sconce Glass Colors



white



aqua



light grey



slate to white fade



topaz



charcoal to white fade