

P | F



Range

The Manny

—
PRICELIST

MANNY



Range

MANNY

The Manny is a modern round dining table in scandinavian style. Due to the practical narrow design of the leg, there is room for chairs all around the table.

This range include

Dining- and coffee tables

Follow and share with us on Instagram.

Features



Design elements

Choose between different designs both with and without extension.



Custommade

In addition to our many standard sizes we can accommodate special requests.



Wood colours

Choose between more than 10+ different wood colours in both ash and oak.



Sustainable choice

Solid wood furniture can last a lifetime with proper maintenance

Pricelist- and Aftercare



Pricing List

The following document will outline the pricing for various dimensions, stains, and wood type.



Aftercare

After care is an important element to keep your table in the best possible condition.

PRICELIST

Round Dining Table (undivided)



Dining table (undivided)			
Description	Item no.	Price (EUR)	
		Ash	Oak
3 CM PLATE (H74 cm)			
Ø160	MG3H-160		
Ø150	MG3H-150		
Ø140	MG3H-140		
Ø130	MG3H-130		
Ø120	MG3H-120		
Ø110	MG3H-110		
Ø100	MG3H-100		
4 CM PLATE (H75 cm)			
Ø160	MG4H-160		
Ø150	MG4H-150		
Ø140	MG4H-140		
Ø130	MG4H-130		
Ø120	MG4H-120		
Ø110	MG4H-110		
Ø100	MG4H-100		

Ash is standard - Oak + 25%

PRICELIST

Round Dining Table (extendable)



Dining table (extendable)						
Description	3 cm thick topplate (H74 cm)			4 cm thick topplate (H75 cm)		
	Item no.	Price (EUR)	Price (EUR)	Item no.	Price (EUR)	Price (EUR)
		Ash	Oak		Ash	Oak
Ø180	MG3M-180			MG4M-180		
Ø170	MG3M-170			MG4M-170		
Ø160	MG3M-160			MG4M-160		
Ø150	MG3M-150			MG4M-150		
Ø140	MG3M-140			MG4M-140		
Ø130	MG3M-130			MG4M-130		
Ø120	MG3M-120			MG4M-120		
Ø110	MG3M-110			MG4M-110		
Ø100	MG3M-100			MG4M-100		

* Comes with 2 support legs ** Comes with 1 support legs

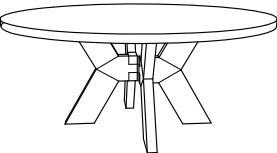
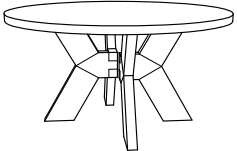
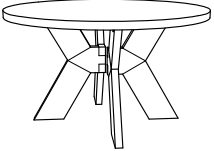
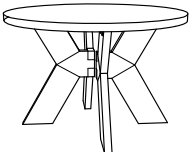
Leaf for extendable dining table						
Description	Item no.	3 cm thickness		4 cm thickness		
		Price (EUR)	Price (EUR)	Item no.	Price (EUR)	Price (EUR)
		Ash	Oak		Ash	Oak
Ø180	leaf 50x180 cm	MGT3-180			MGT4-180	
Ø170	leaf 50x170 cm	MGT3-170			MGT4-170	
Ø160	leaf 50x160 cm	MGT3-160			MGT4-160	
Ø150	leaf 50x150 cm	MGT3-150			MGT4-150	
Ø140	leaf 50x140 cm	MGT3-140			MGT4-140	
Ø130	leaf 50x130 cm	MGT3-130			MGT4-130	
Ø120	leaf 50x120 cm	MGT3-120			MGT4-120	
Ø110	leaf 50x110 cm	MGT3-110			MGT4-110	
Ø100	leaf 50x100 cm	MGT3-100			MGT4-100	

Ash is standard - Oak + 25%

PRICELIST

Round Coffee Table



Price: Round coffee table (H: 52 cm, plate thickness 3 cm)			
Drawing + diameter	Item no.	Price (EUR)	
		Ash	Oak
 D120 cm	MG3C-120		
 D100 cm	MG3C-100		
 D90 cm	MG3C-90		
 D80 cm	MG3C-80		



Images for guiding purpose only!
The wood structure and colour will vary from ash and oak.

We therefore recommend using the wood samples/exhibition furniture to get a more accurate impression.

WOOD COLOURS



ASH C3 / OAK C3
Lacquered

We treated this wood with lacque.

C3 are only made for products without patination.



ASH C4 / OAK C4
Natural oiled

We treated this wood with our 'Natural oil'.



ASH C6 / OAK C6
White oiled

We treated this wood with our 'White oil'.



ASH C8 / OAK C8
Soaped

We treated this wood with soap.



ASH C11 / OAK C11
Dark grey oiled

We treated this wood with our 'Black oil'.



ASH C12 / OAK C12
Antique brown oiled

We treated this wood with our 'Antique brown oil'.



ASH C13 / OAK C13
Light grey oiled

We treated this wood with our 'Light grey oil'.



ASH C14 / OAK C14
Black stained & oiled

We treated this wood with black stain, and treated it with a wax oil.

C14 is for legs and storage furniture only!



ASH C15 / OAK C15
Mocca brown oiled

We treated this wood with our 'Mocca brown oil.'



ASH C16
Warm white oiled

We treated this wood with our 'Warm white oil'.

C16 is only for ash



ASH C20 / OAK C20
Grey brown oiled

We treated this wood with our 'Grey brown oil'.



ASH C44 / OAK C44
Black matt lacquered

We treated this wood with black stain, and treated it with matt lacque.

C44 is only for plates and can only be made for products without patination.

For more information about maintenance, please visit our website:

WOOD FINISH



UP

Without patination
The wood is planned and sanded to achieve a smooth surface.

With few and smaller knots.

Storage furniture can only be made with this finish!

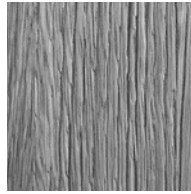


SC

Soft Cracks

Naturally occurring cracks are made more visible which gives wood a rustic look with cracks in the wood that has been rough-surfaced by natural wear.

May contain more and larger knots.



RL

Raw Look

May contain more and larger knots.

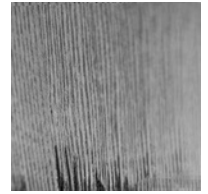


FK

Filled Knots

The knots are filled and the wood is planned and sanded to achieve a smooth surface.

Only for OAK!



AP

Antique patination

Scratches and other fake signs of wear is added to give the wood a patinated look as if the wood has been worn.

May contain more and larger knots.

EDGE PROFILES



1

Harlekin edge



2

Arched edge



3

Rounded edge



4

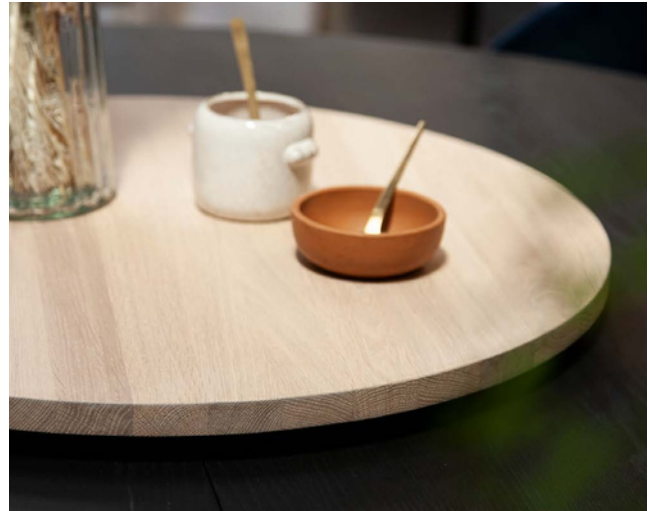
Straight edge

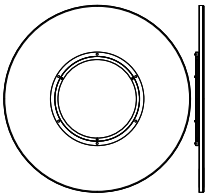
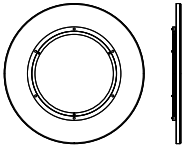
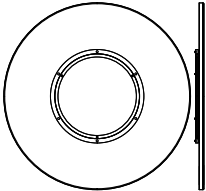
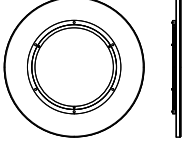
PRICELIST

Lazy Susan – turntable (rotating tray)



The plate has a turning function.
The product can be used with all our round dining tables.



Price: LAZY SUSAN, plate thickness 2 cm				
description	item no.	measure (cm)		price (EUR)
		D	H	
 Lazy Susan turning plate in ASH	LAZY-80	80	4	426
 Lazy Susan turning plate in ASH	LAZY-60	60	4	373
 Lazy Susan turning plate in OAK	LAZY-80	80	4	575
 Lazy Susan turning plate in OAK	LAZY-60	60	4	484

Edge profile for LAZY SUSAN



4
Straight edge

MANNY

Aftercare

Complimentary Bottle of Oil

The furniture is maintained with a suitable care product (oil, soap or wax) 1-3 times a year - depending on how much wear and dry air your furniture is exposed to.

In the list you will simply find the color in question and from this you can see which products we recommend for care.

We always recommend that you give your new solid wood furniture a suitable surface treatment before you use it,

 C3 Lakeret	 C4 Natur oleret	 C6 Hvid oleret	 C8 Sæbebehandlet	 C11 Mørk grå oleret	 C12 Antik brun oleret	 C13 Lys grå oleret	 C14 Sort oleret	 C15 Mokka brun oleret	 C16 Varm hvid oleret	 C20 Grå brun oleret	 C44 Sort mat lakeret
Saphir Lakbeskytter	Danish oil eller Rubinol	White pigmented oil	—	Danish oil eller Rubinol	Danish oil eller Rubinol	Danish oil eller Rubinol	Danish oil eller Rubinol	Danish oil eller Rubinol — C15**	Danish oil eller Rubinol — C16**	Danish oil eller Rubinol — C20**	Saphir Lakbeskytter
Spraywax	Natural oil	White pigmented oil	—	Natural oil	Natural oil	Natural oil	Natural oil	Natural oil	Natural oil	Natural oil	Spraywax
Wood wax	Hardwood oil	White pigmented oil	Wood soap	Black pigmented oil	Wax oil	Wax oil	Black pigmented oil	Wax oil	Wax oil	Wax oil	Wood wax

 C3 Lakeret	 C4 Natur oleret	 C6 Hvid oleret	 C8 Sæbebehandlet	 C11 Mørk grå oleret	 C12 Antik brun oleret	 C13 Lys grå oleret	 C14 Sort oleret	 C15 Mokka brun oleret	 C16 Varm hvid oleret	 C20 Grå brun oleret	 C44 Sort mat lakeret
Lacquer care	C4 oil	C6 oil***	Soap	C11 oil***	C12 oil***	C13 oil***	Wood oil with wax	C15 oil***	C16 oil***	C20 oil***	Lacquer care