

B6 nano

Professional Balance Charger / Discharger

320Watts / 15Amps



SKYRC

Scan for B6 nano instruction manual
or download through www.skyrc.com



Improper usage may lead to fire, property damage and physical injury.

- Before charging, read the instructions.
- Never leave the charger unattended during charging in process.
- Place the charger and battery on a non-flammable surface, and keep away from inflammables while charging.

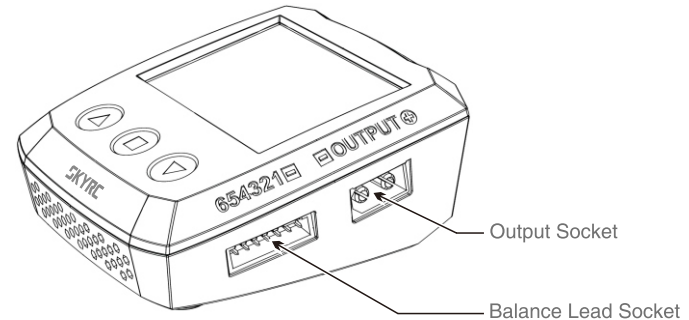
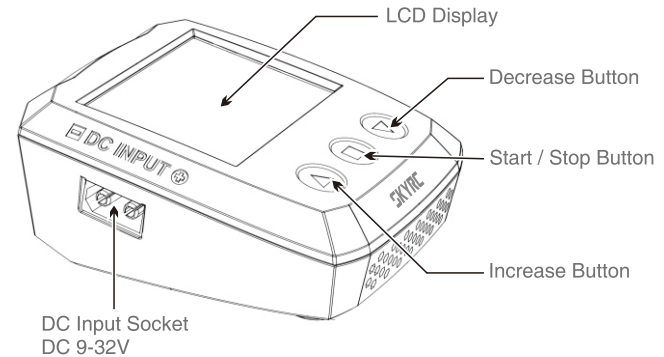
INTRODUCTION

Congratulations on your choice of SkyRC B6 nano. The operation and UI has been optimized to be hassle-free for basic usage. Being app-enabled, the user experience can be largely expanded, more features and advanced settings are provided within the free app.

Multiple safety protections are implemented, such as, reverse polarity protection, charging time limit, charging capacity limit.

The operation of a multi-chemistry battery charger does require certain knowledge on the part of the user. Please BE SURE to read these INSTRUCTIONS, WARNING and SAFETY NOTES before you use the charger. It can be dangerous, fire or explosion, if misoperation happens.

We hope you have years of pleasure and success with your new battery charger.



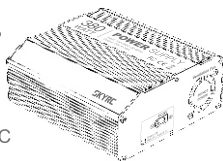
OPERATING PROGRAM

1. Connect the charger to DC power supply or Pb battery.

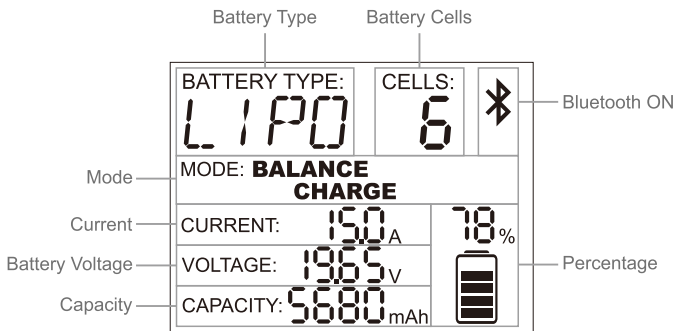
Important Notice

To take advantage of B6 nano's full power capability, the power source should be 9-32V DC, and output power should be capable of 350W or higher.

Low quality DC power source may damage your B6 nano charger. We recommend you to choose SKYRC 380W Power Supply.



2. Insert the battery to the charger



Battery Type: select the chemistry of the battery to be processed.

Cells: select how many cells of the battery to be processed.

Mode: select which process the charger will run.

Current: select the current of charge/discharge process.

Voltage: display the voltage of the connected battery.

Capacity: calculate the electric charge transferred.

Percentage: display the remaining capacity of the connected battery.

Bluetooth: indicate the charger is connected with mobile device.

USING THE APP

The Bluetooth 4.0 connectivity allows the user to control and monitor the B6 nano comfortably through an app on a portable device such as smart phone, iPad, or iPhone. The iOS app can be downloaded from iTunes store, the Android app from Google Play Store. Operation of the app is self-explanatory and the same on iOS and on Android. Explicit pairing is not required; after download and installation just activate Bluetooth on your mobile device and launch the App. B6 nano and your device will establish Bluetooth connection automatically.



Scan with
your Smartphone
to download.



3. Wish you a pleasant journey with B6 nano!

SPECIFICATION

Input Voltage	DC9-32V	LiPo/LiFe/LiIon/LiHV Cells	1-6S
Max Charge Power	320W	NiMH/NiCd Cells	1-15S
Max Discharge Power	5W	Pb battery Voltage	2-20V
Charge Current Range	0.1-15.0A	Net Weight	130g
Discharge Current Range	0.1-3.0A	Dimersions	76x85x37mm



FCC ID: REY-B6NANO



Manufactured by
SKYRC TECHNOLOGY CO., LTD.
www.skyrc.com 7504-1007-01