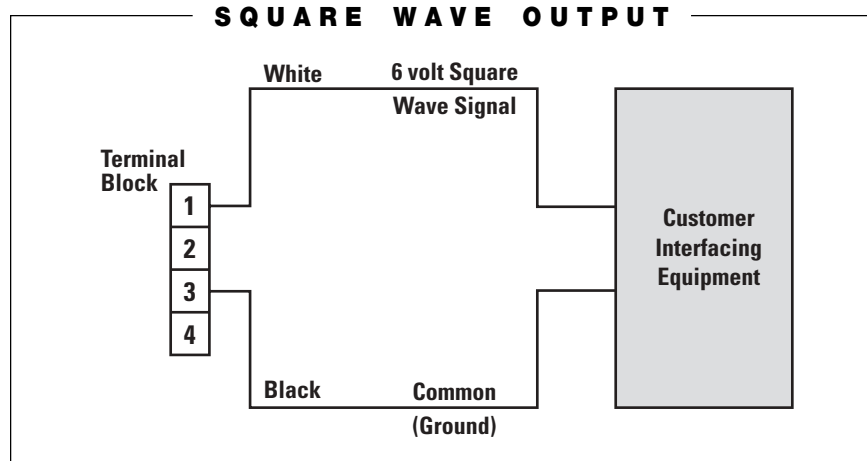


Industrial Grade Metering Products Conditioned Signal Output Module

Square Wave Output

To achieve square wave output, please reference the wiring diagram below and use an Electronic Digital Meter Battery Kit (not supplied) for battery power. The terminal block is located on the back right side of the module. To change the connections, loosen the appropriate connections, reconnect in the proper positions, and tighten the screws.

Ten feet (3m) of cable is provided with the module, trim it to desired length or extend it as necessary.



The terminal block is identified as follows:

- Pin #1: 6 volt square wave
- Pin #2: +9 to 35 volt DC Input (not used)
- Pin #3: Common Ground
- Pin #4: Open Collector Signal Output (not used)

For Open Collector Signal installation, see reverse side.

Use with Kit #113435-1



The Waste Electrical and Electronic Equipment (WEEE) directive (2002/96/EC) was approved by the European Parliament and the Council of the European Union in 2003. This symbol indicates that this product contains electrical and electronic equipment that may include batteries, printed circuit boards, liquid crystal displays or other components that may be subject to local disposal regulations at your location. Please understand those regulations and dispose of this product in a responsible manner.

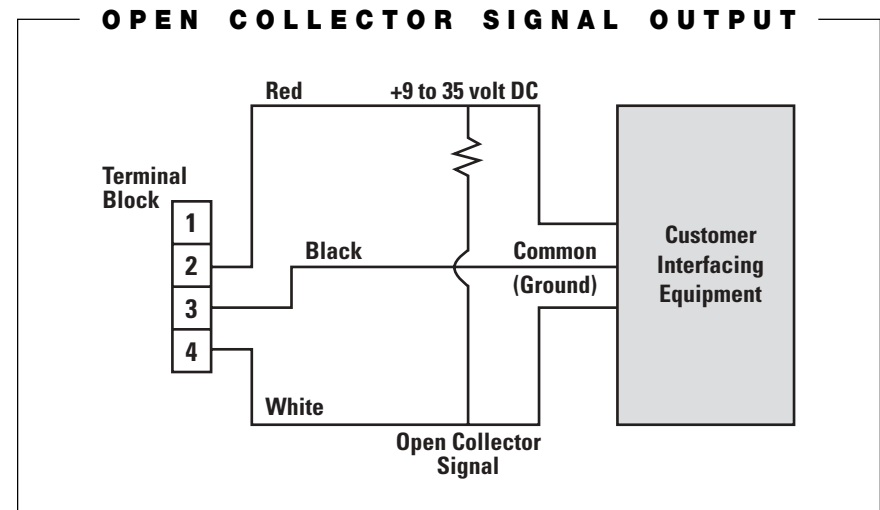
Industrial Grade Metering Products Conditioned Signal Output Module

Open Collector Signal Output

To achieve an open collector signal output, please reference the wiring diagram below.

The terminal block is located on the back right side of the module. The module is factory assembled for open collector signal output. Please provide the (820 ohm minimum) resistor.

Ten feet (3m) of cable is provided with the module, trim it to desired length or extend it as necessary. Distances up to 5,000 ft. (1,524m) can be achieved.



The terminal block is identified as follows:

- Pin #1: 6 volt square wave (not used)
- Pin #2: +9 to 35 volt DC Input
- Pin #3: Common Ground
- Pin #4: Open Collector Signal Output

For Square Wave Output installation, see reverse side.

Use with Kit #113435-1