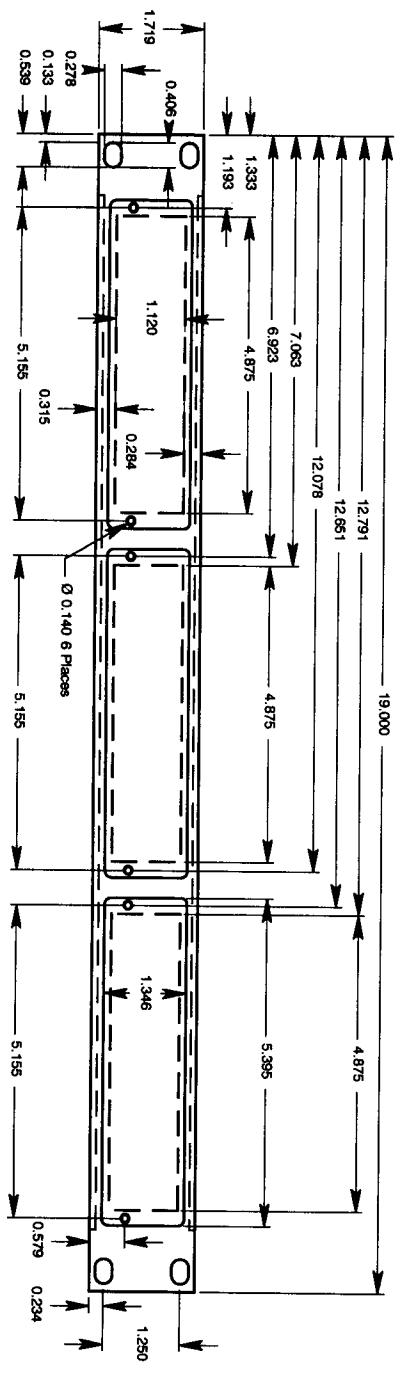
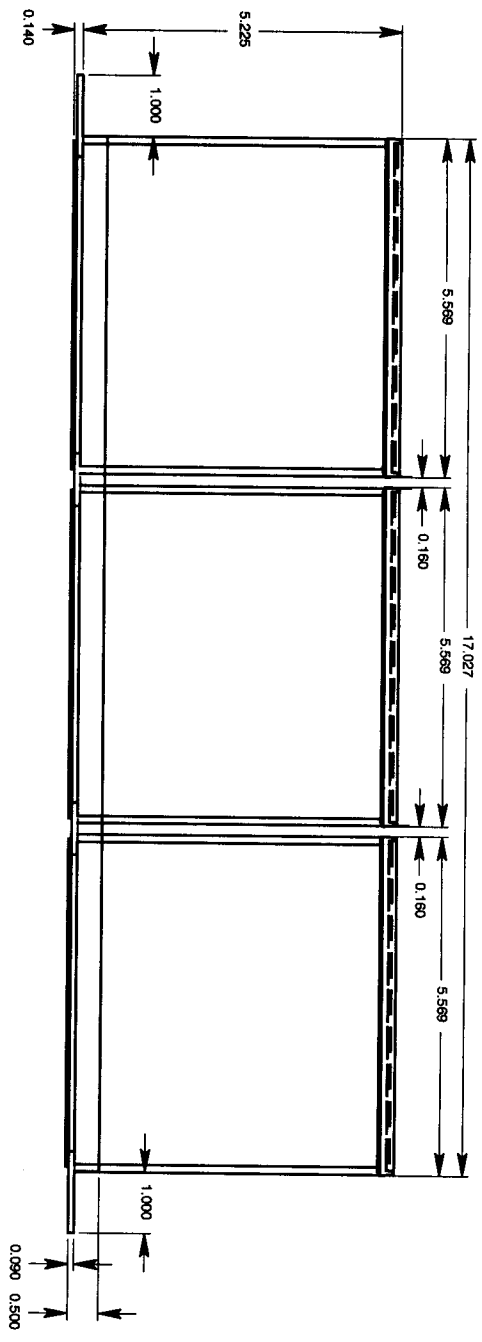
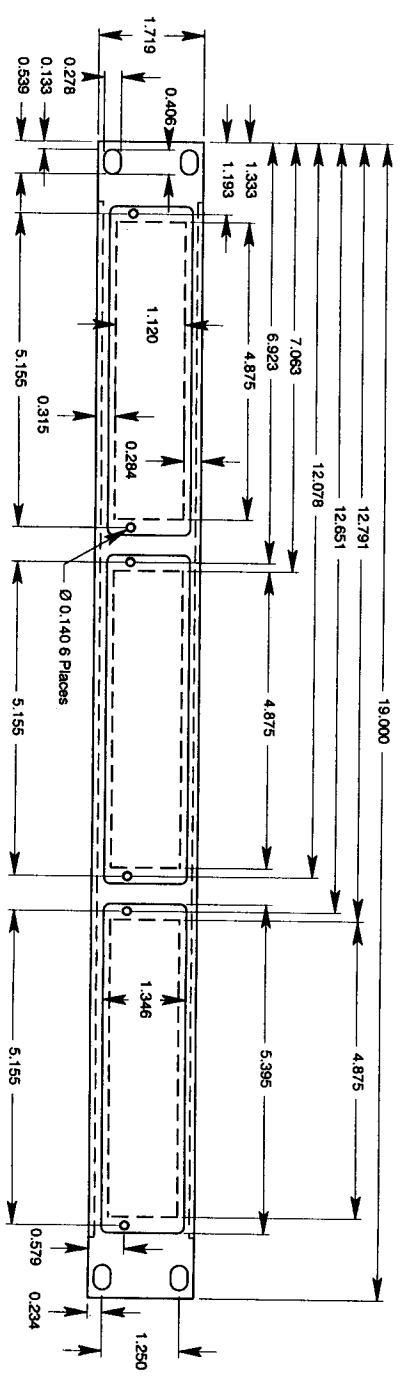
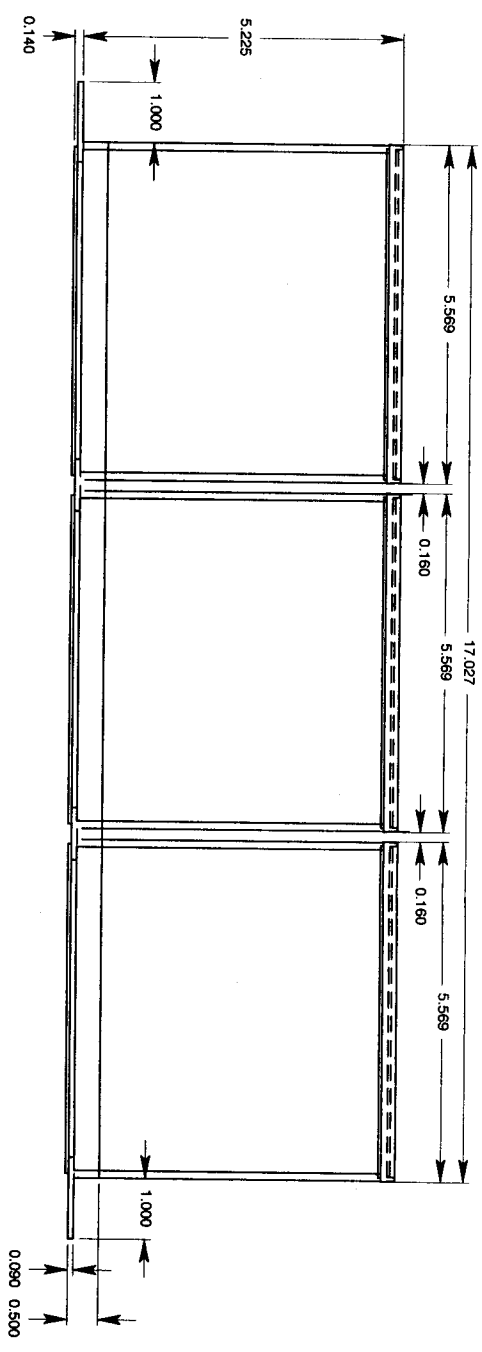


REVISIONS



APPROVAL		BENCHMARK MEDIA SYSTEMS, INC.	
DESIGNED BY	A. H. Burdick	DATE	12/2/82
PROJECT		RM-1 / Chassis Composite	
SCALE	D	DATE	12/2/82
NO.	1	TOTAL	1 OF 1

REVISIONS	



APPROVED		BENCHMARK MEDIA SYSTEMS, INC.	
A. H. BURDICK		RM-1 / Chassis Composite	
DATE	REV	DATE	REV
12/17/88	1	150132	1
1 of 1		1 of 1	