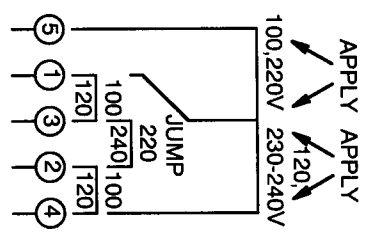
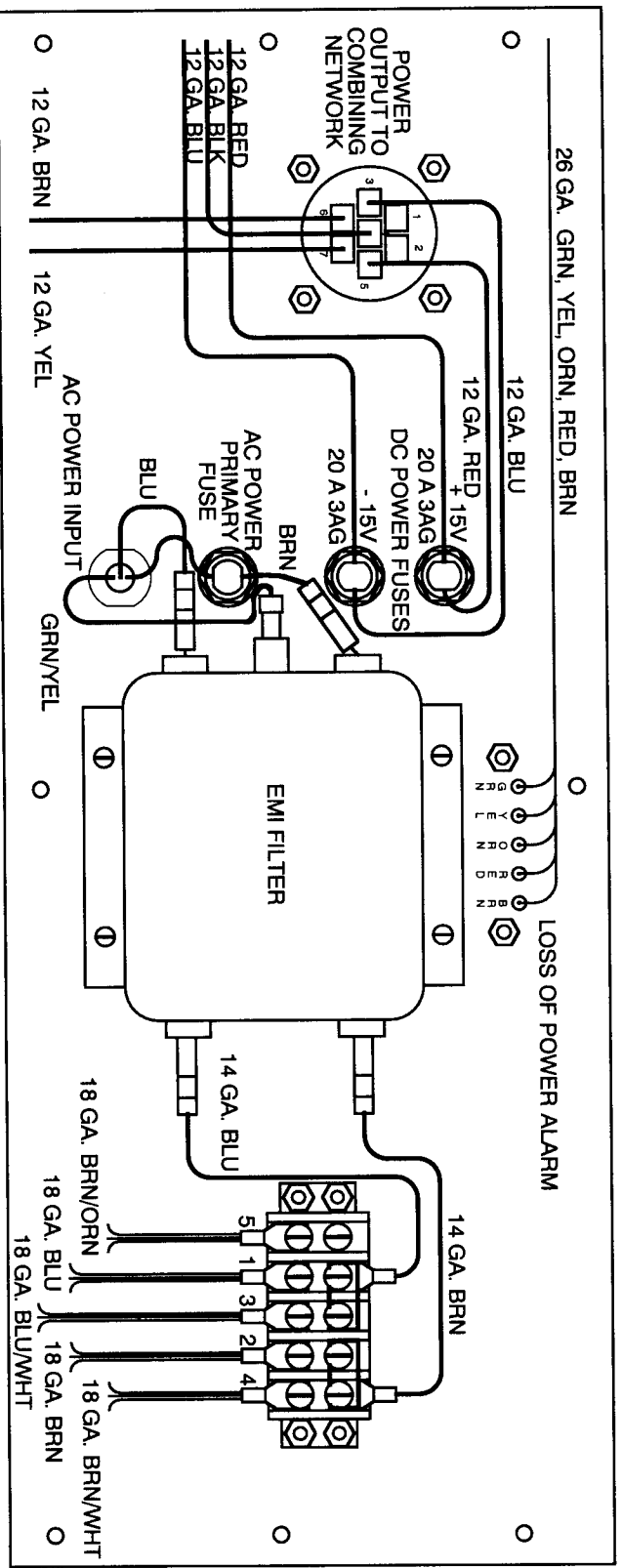


| REVISIONS | | | |
|-----------|------------------------------------|-----|----------|
| A | Fixed Parts Locations | RWW | 10/29/93 |
| B | Corrected +12, DGND Wire Locations | AHB | 10/22/96 |

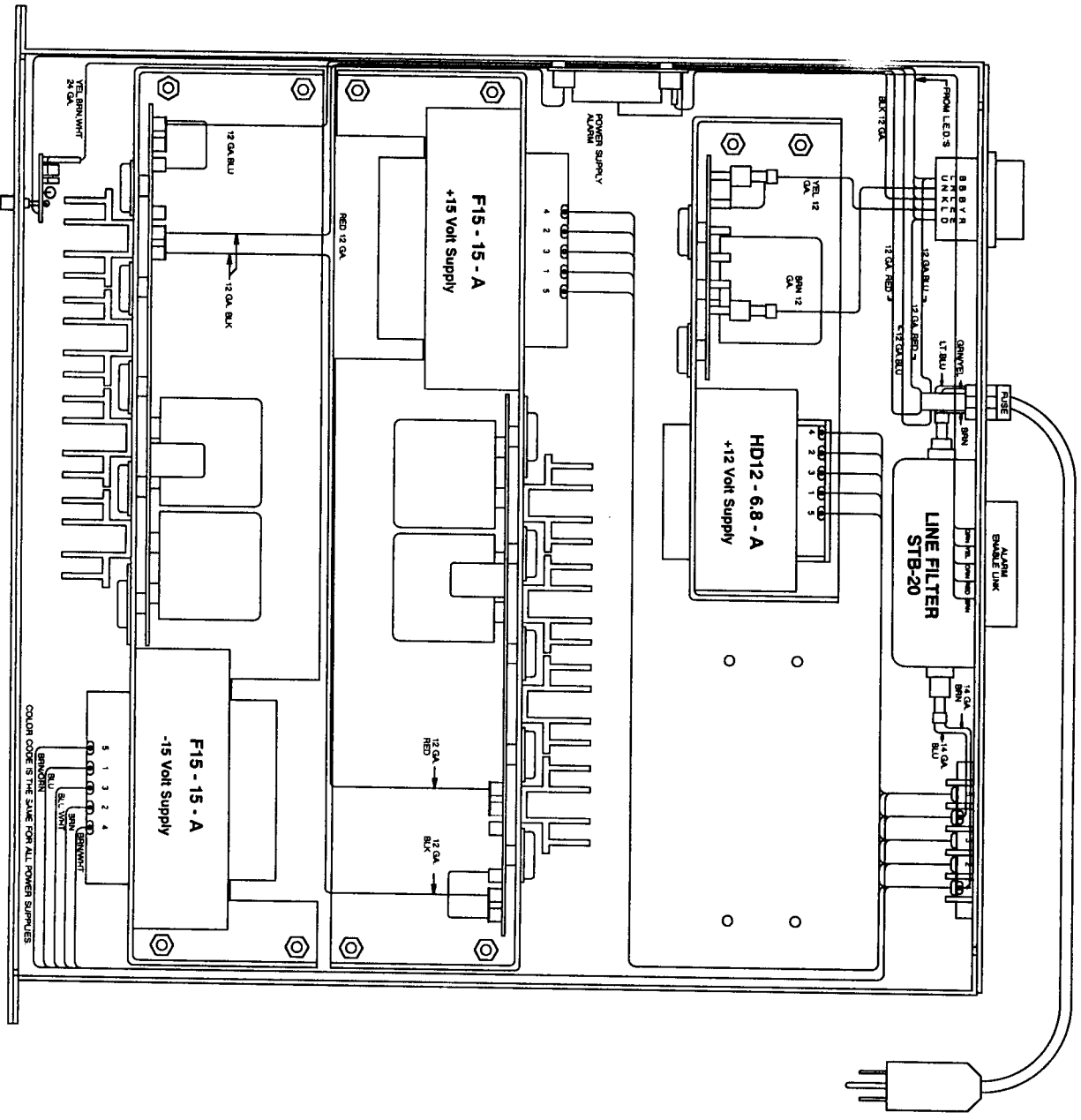


INTERNATIONAL POWER VOLTAGE SELECTION.
VOLTAGE TOLERANCE = +10%, -13%



INSIDE BACK PANEL

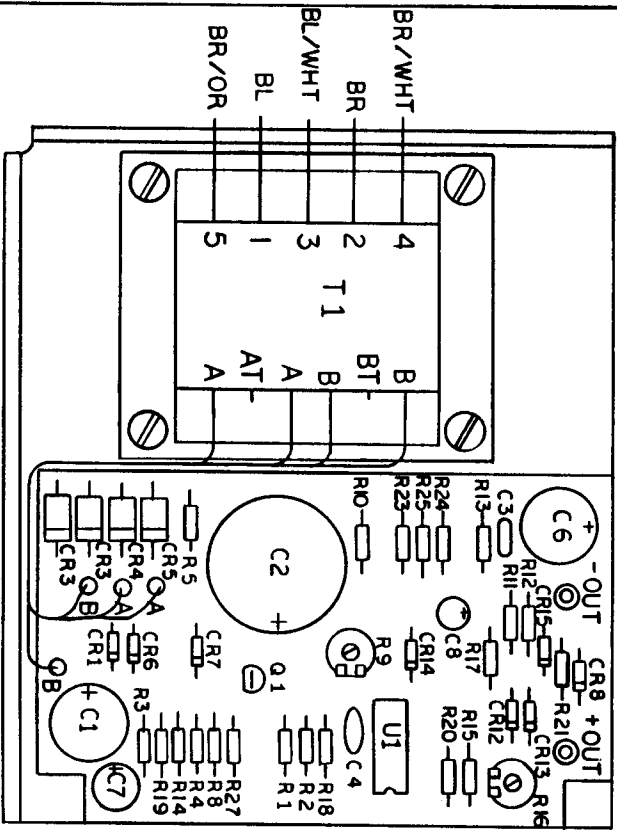
| | | | |
|---------------------------------|-------------|-------------------------------|--------|
| APPROVALS | | BENCHMARK MEDIA SYSTEMS, INC. | |
| DRAWN | J. PENFIELD | DATE | 1-1-92 |
| CHECKED | | DWG NO. | 350054 |
| ISSUED | | SHEET | B |
| PS-103 REAR PANEL WIRING DIGRAM | | SCALE N.T.S. | |



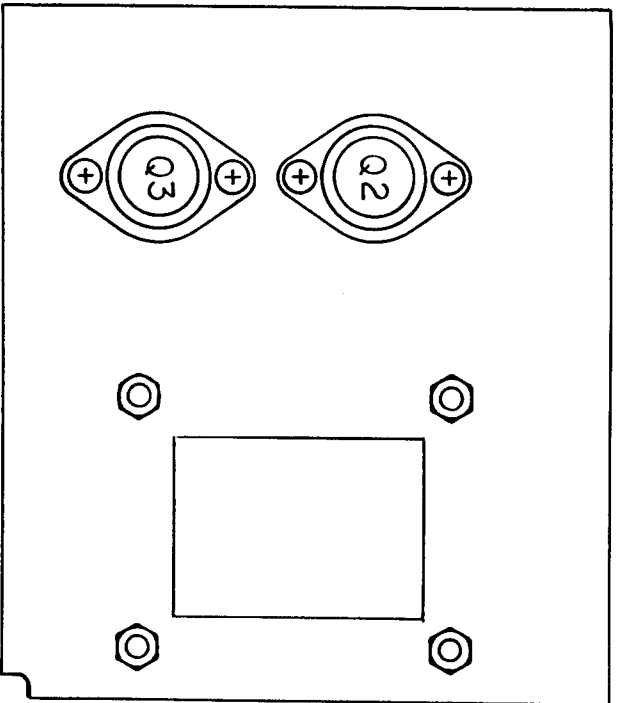
COLOR CODE IS THE SAME FOR ALL POWER SUPPLIES

| | | | |
|-------------------------------|-------------|-----------|-------------|
| APPROVALS | DESIGNED BY | DATE | REV |
| | J. PERFIELD | 3/26/92 | D |
| BENCHMARK MEDIA SYSTEMS, INC. | | PHONE NO. | 500-021-001 |
| PS - 103 | | FAX NO. | 500-021-001 |

REVISIONS



FRONT VIEW



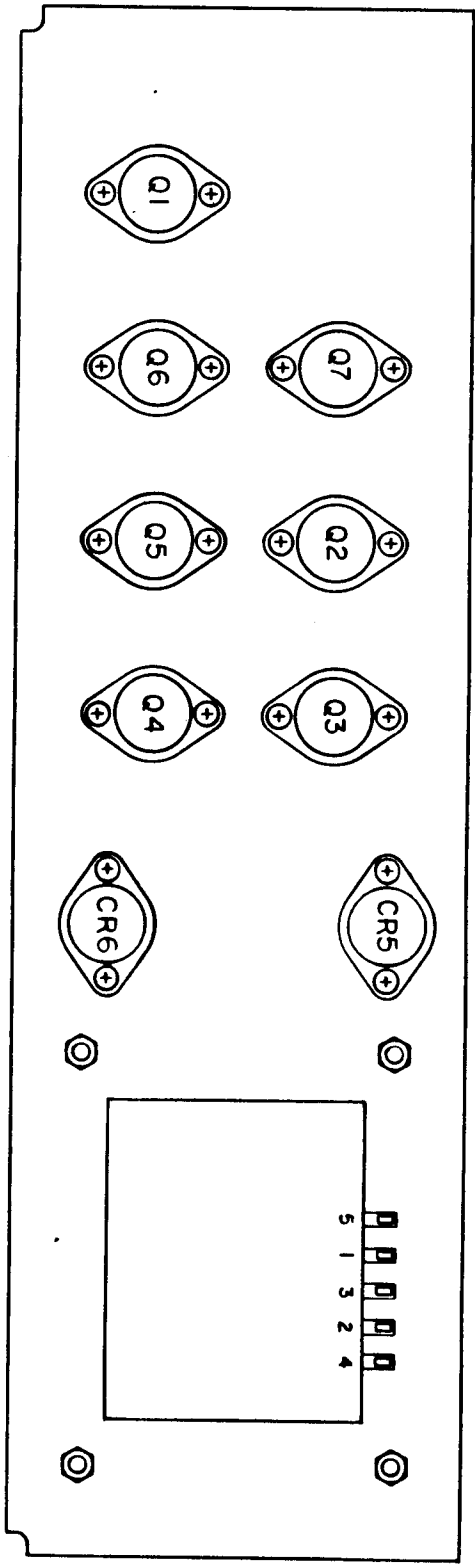
BACK VIEW

Benchmark Media Systems

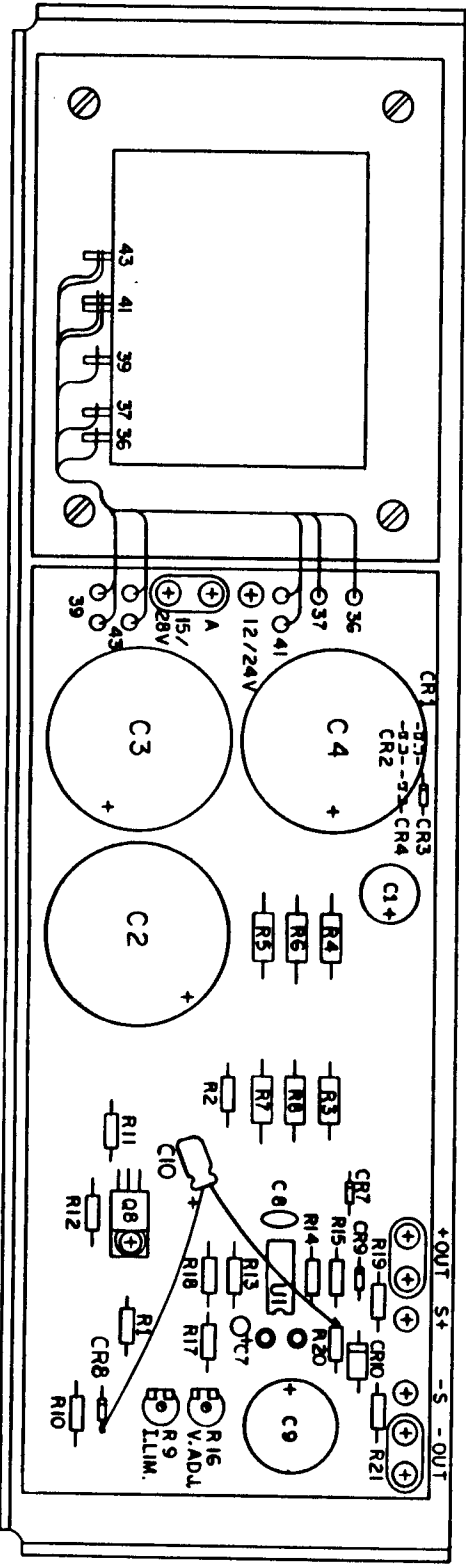
PS-103 (HC48-1-A)

| | | |
|-------|----------------------|--------------------|
| SCALE | CHECKED BY | DRAWN BY |
| DATE | <i>N. A. Swadlow</i> | J. R. P. |
| SIZE | COMP ASS'Y | DRAWING NO. 250032 |

| REVISIONS | | DATE | APP |
|-----------|----------------|---------|-----|
| 1 | TR | | |
| A | SEE DCN NO. 13 | 2/26/88 | R/S |



BACK VIEW



FRONT VIEW

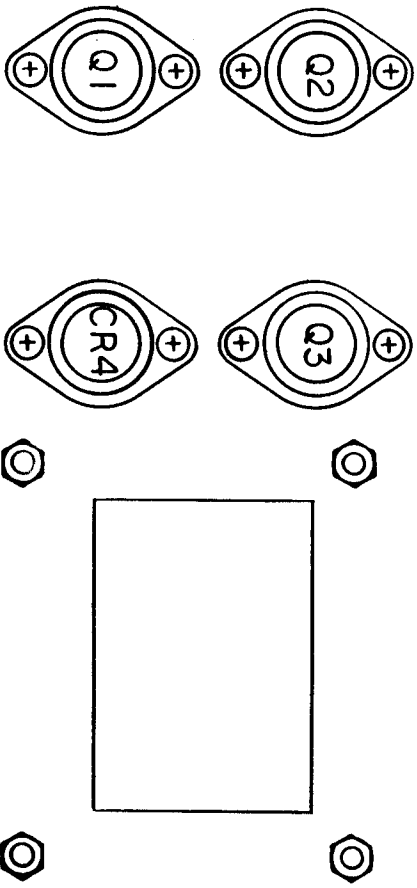
Benchmark Media Systems

PS-103 (F15-15-A)

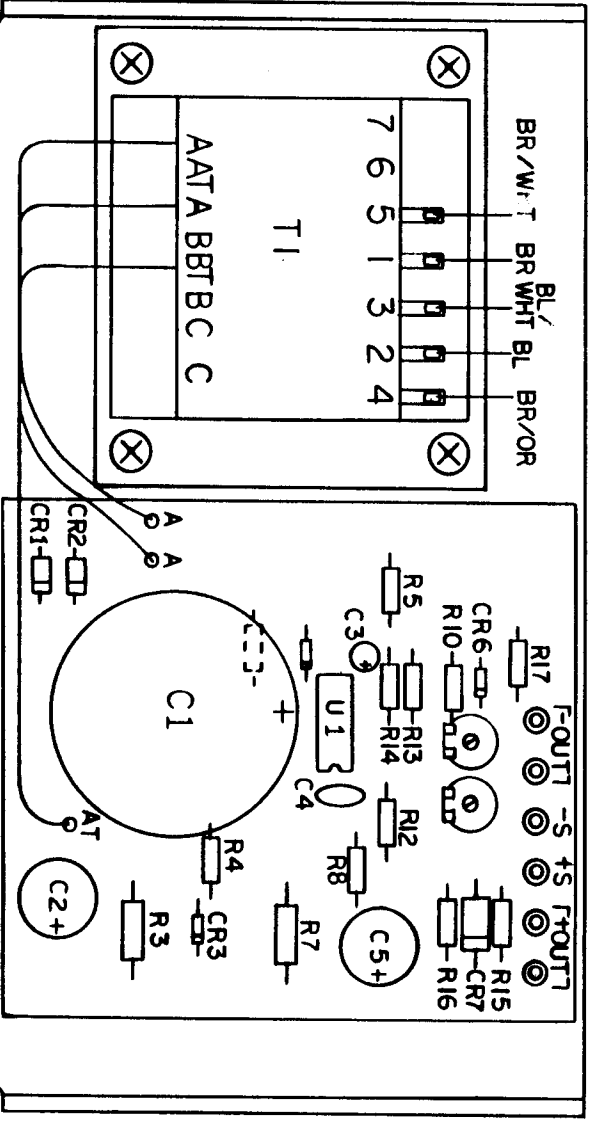
| | | |
|----------------|-------------|----------|
| SCALE | CHECKED BY | DRAWN BY |
| DATE 1/29/88 | DATE | J. R. P. |
| SIZE COMP ASSY | DRAWING NO. | 250030 |

REVISIONS

| | | | |
|--|--|--|--|
| | | | |
| | | | |
| | | | |



BACK VIEW



FRONT VIEW

Benchmark Media Systems

PS-103 (HD12-6.8-A)

SCALE: _____

DATE: 2/27/88

CHECKED BY: *[Signature]*

DRAWN BY: J.R.P.

SIZE: B

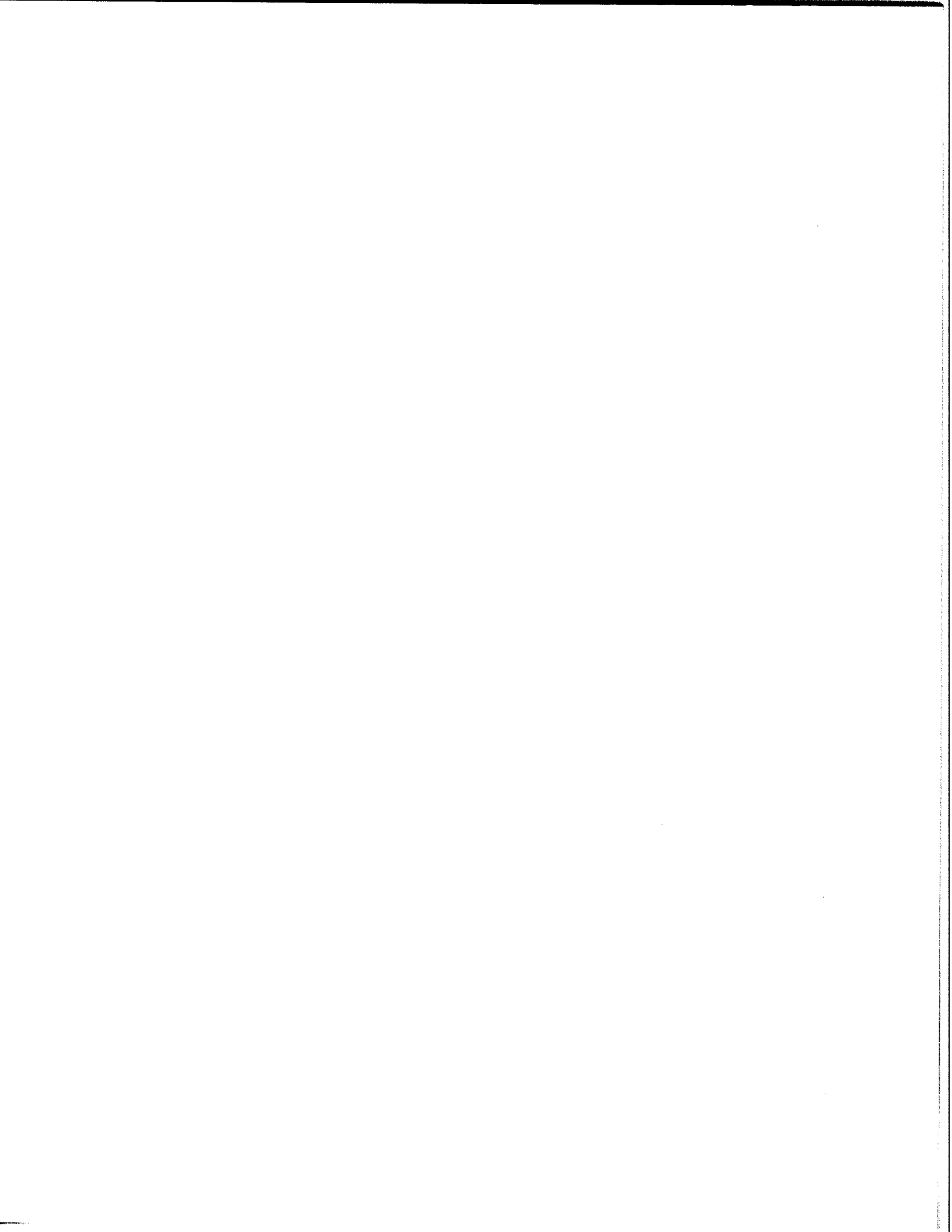
COMP ASS'Y

DRAWING NO. 250031

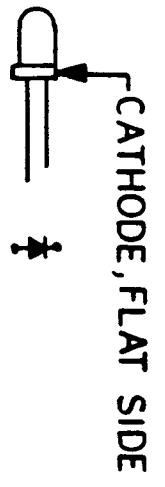
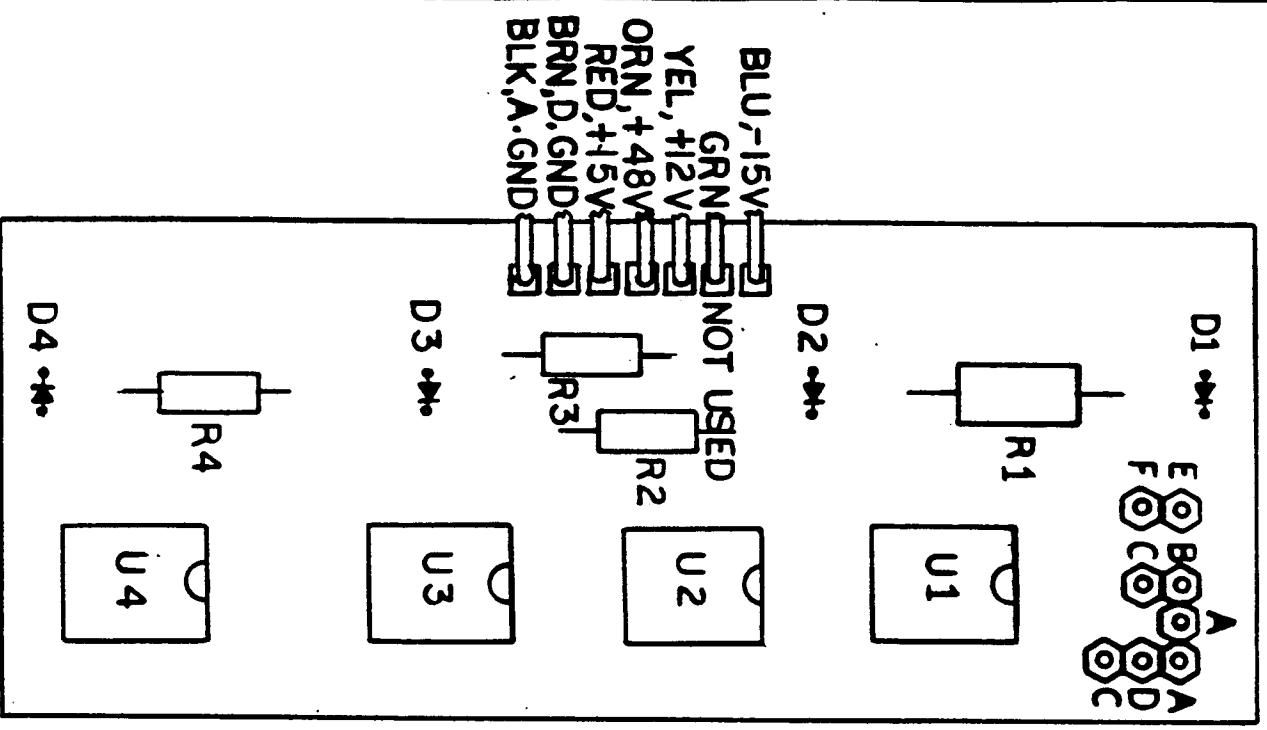
!!! WARNING !!!

The PS-103 power supply is *heavy!*, ≈ 52 lbs. It is very important to support this device with additional shelf angle brackets.

BENCHMARK MEDIA SYSTEMS, INC.
5925 Court Street Road
Syracuse, NY 13206-1707
315-437-6300



| REVISIONS | | | |
|-----------|-----------------|--------|--------|
| A | SEE DCN NO. 101 | 8/7/89 | A.K.B. |



NOTES:

1. L.E.D.S ARE MOUNTED ON BACK OF BOARD.

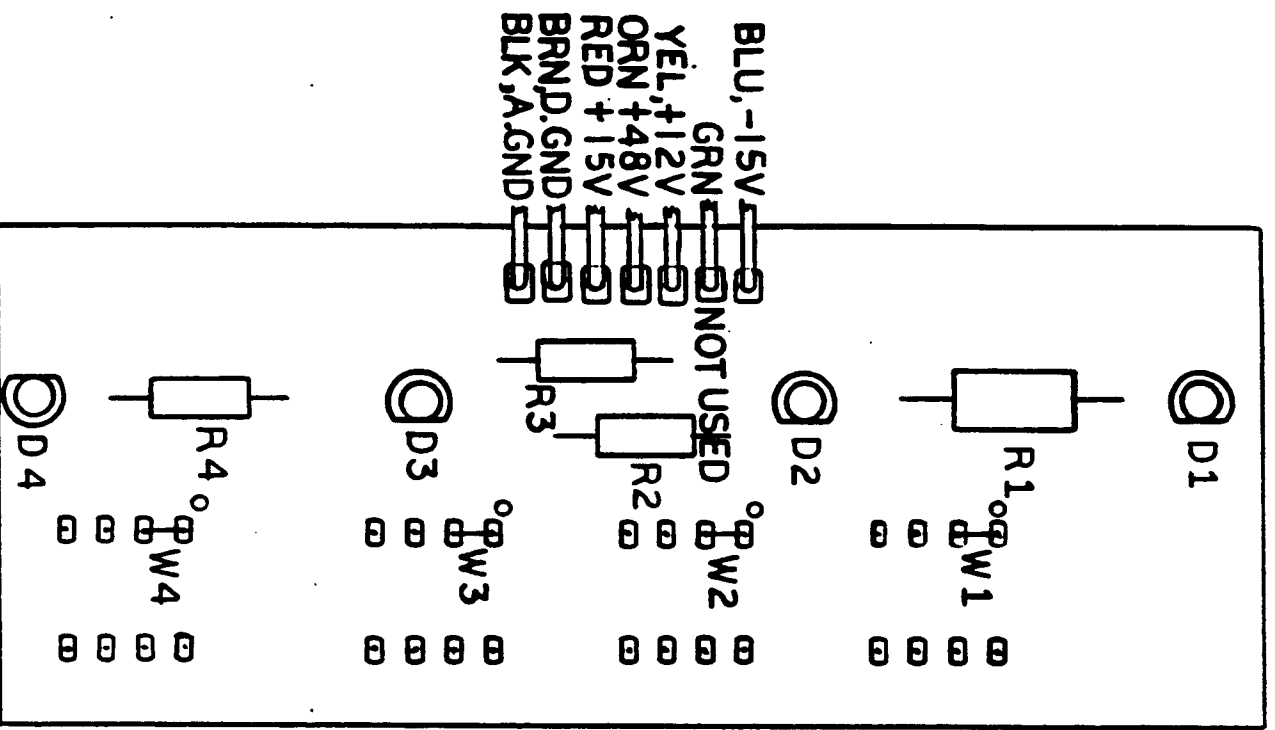
Benchmark Media Systems

L.E.D. BOARD FOR POWER SUPPLY ALARM

| | | |
|-------------|---------------|--------------------|
| SCALE | CHECKED BY | DRAWN BY |
| DATE 8/3/88 | <i>A.K.B.</i> | J. PENFIELD |
| SIZE A | COMP. ASS'Y. | DRAWING NO. 250048 |

REVISIONS

| | | | |
|--|--|--|--|
| | | | |
| | | | |
| | | | |



Benchmark Media Systems

L.E.D. BOARD

| | | |
|-------|-----------------------|-------------|
| SCALE | CHECKED BY | DRAWN BY |
| DATE | <i>A. St. Brudick</i> | J. PENFIELD |
| SIZE | COMP. | DRAWING NO. |
| A | ASS'Y. | 250065 |

