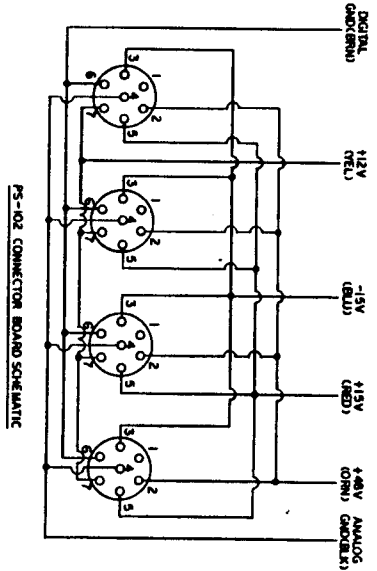
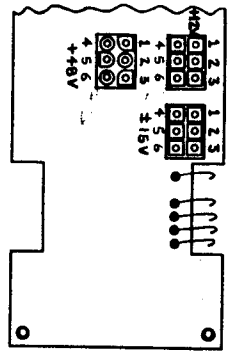
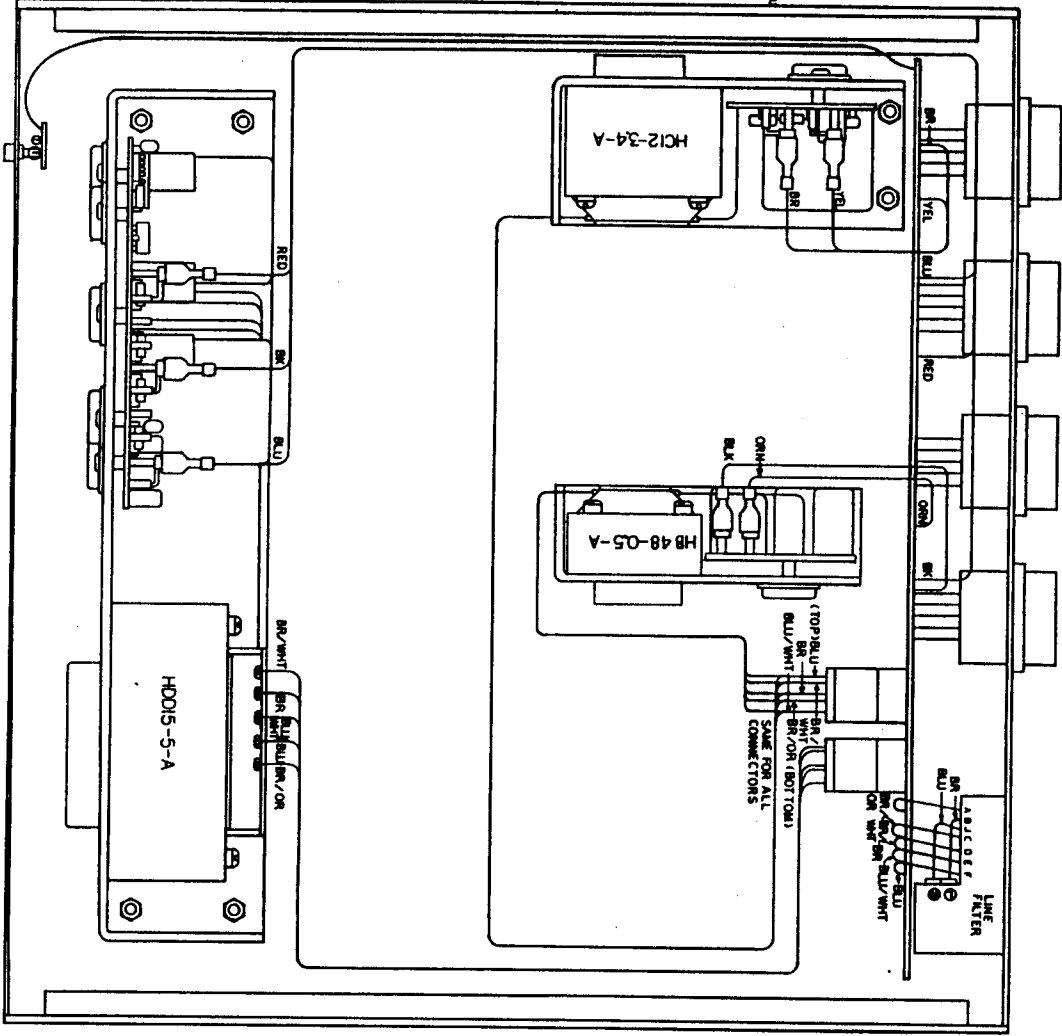
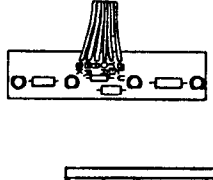
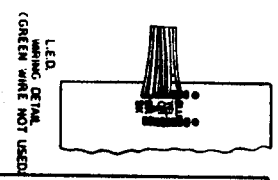


REV	DATE	BY	CHKD
1	1/18/82	WJ	WJ
2	1/18/82	WJ	WJ
3	1/18/82	WJ	WJ
4	1/18/82	WJ	WJ
5	1/18/82	WJ	WJ
6	1/18/82	WJ	WJ
7	1/18/82	WJ	WJ
8	1/18/82	WJ	WJ
9	1/18/82	WJ	WJ
10	1/18/82	WJ	WJ

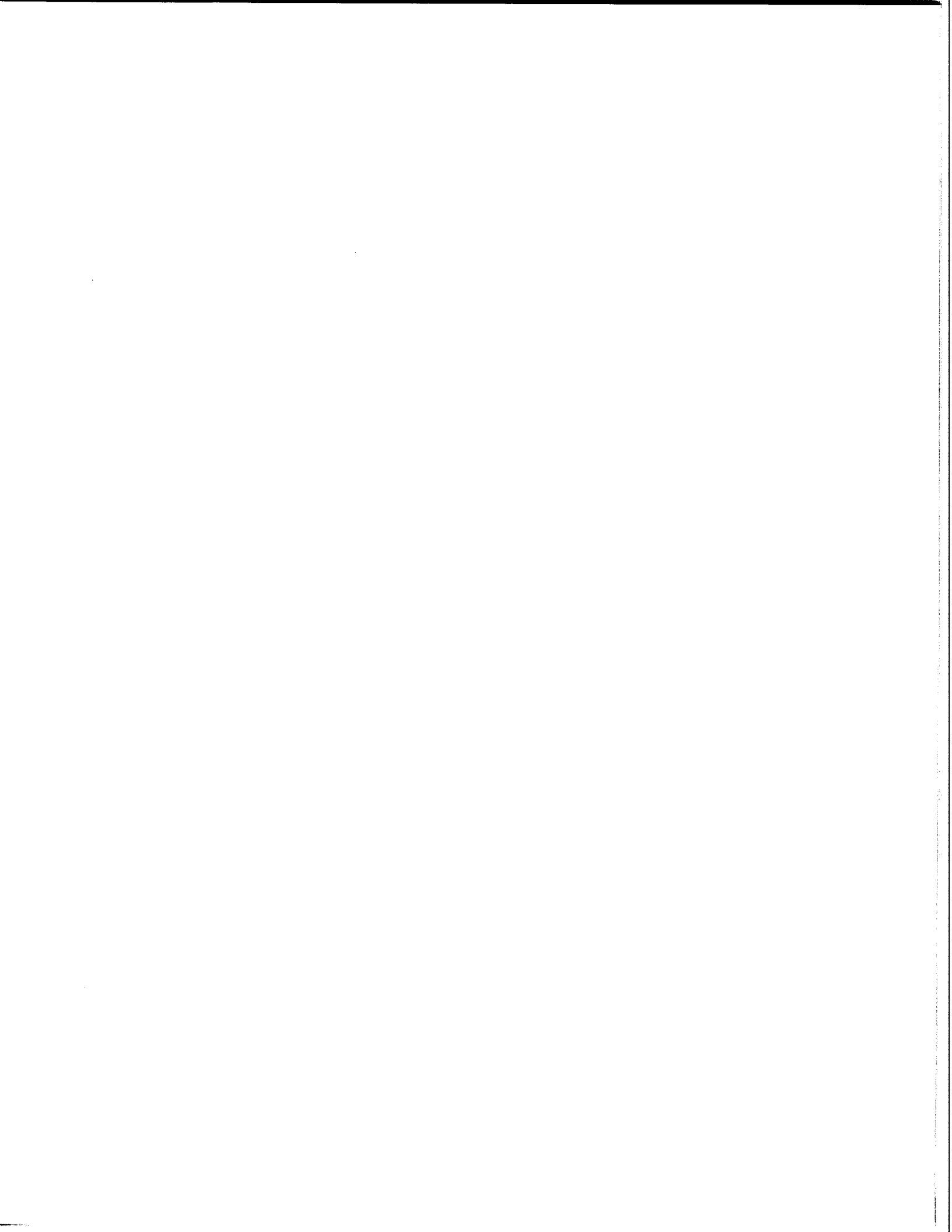


NOTES:
 1. INDIVIDUAL UNITS MAY OR MAY NOT INCLUDE
 ±12 V OR ±48 V SUPPLIES.
 2. CUSTOM UNITS MAY HAVE ±18V INSTEAD
 OF ±15V SUPPLIES.

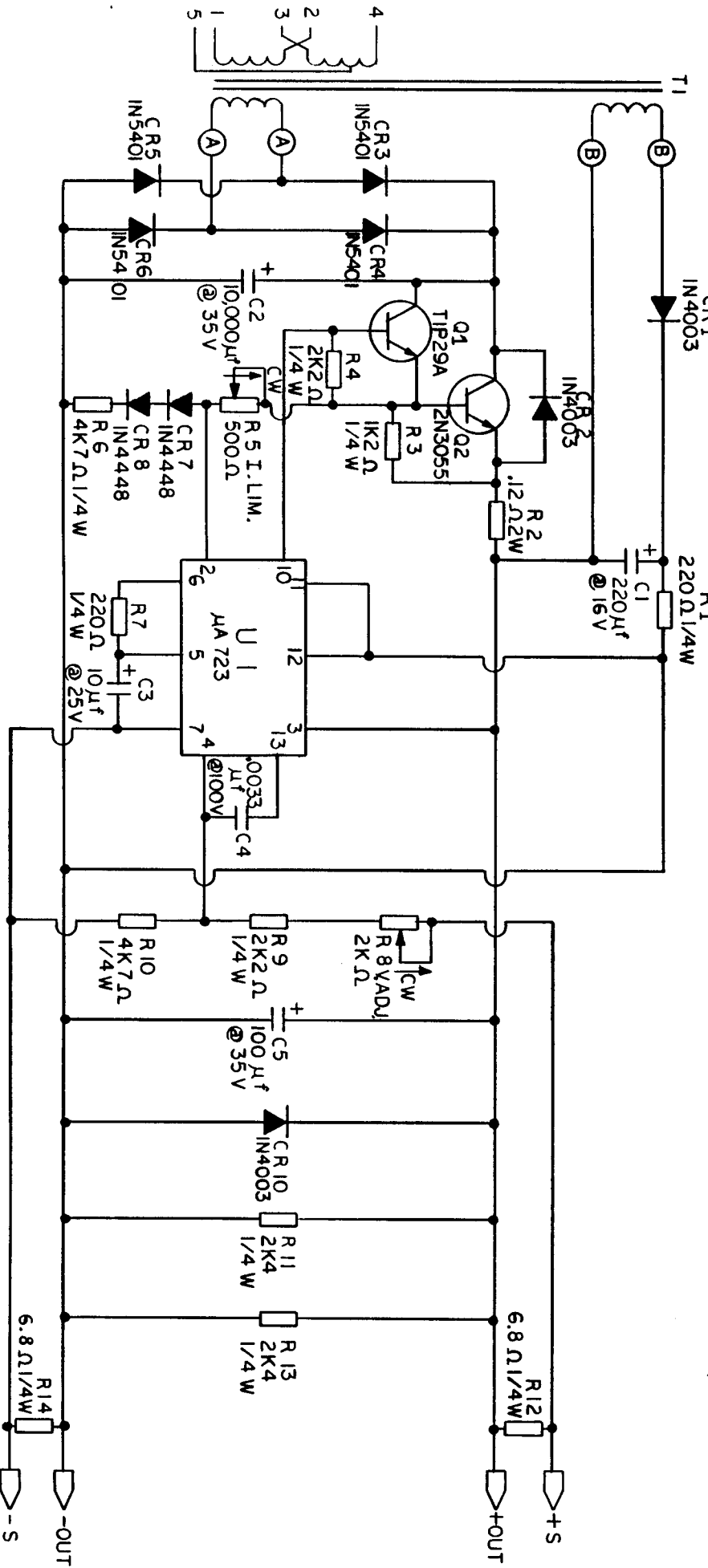
PIN 1: BLU
 2: BRN/WHT
 3: BRN/WHT
 4: BRN/ORN
 5: N/C

REV	DATE	BY	CHKD
1	1/18/82	WJ	WJ
2	1/18/82	WJ	WJ
3	1/18/82	WJ	WJ
4	1/18/82	WJ	WJ
5	1/18/82	WJ	WJ
6	1/18/82	WJ	WJ
7	1/18/82	WJ	WJ
8	1/18/82	WJ	WJ
9	1/18/82	WJ	WJ
10	1/18/82	WJ	WJ

Benchmark Media Systems
 WIRING DIAGRAM
 PS-102
 SIZE CODE: 350006
 SCALE: 1:1
 SHEET 1 OF 1



REVISIONS		DATE	APPROVED
ZONE	LTR	DESCRIPTION	



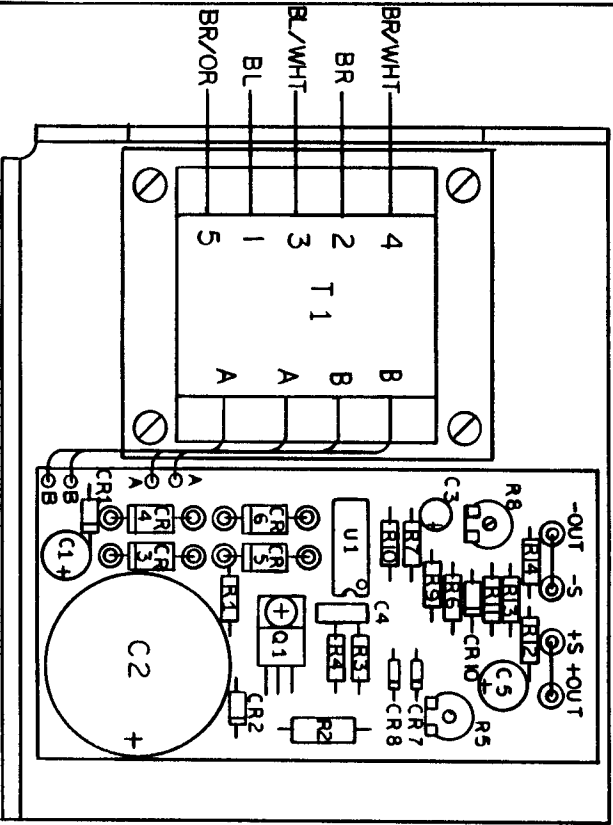
WIRING COLOR CODE
 4 BR/WHT
 2 BR/WHT
 3 BL/WHT
 1 BL
 5 BR/OR

Benchmark Media Systems

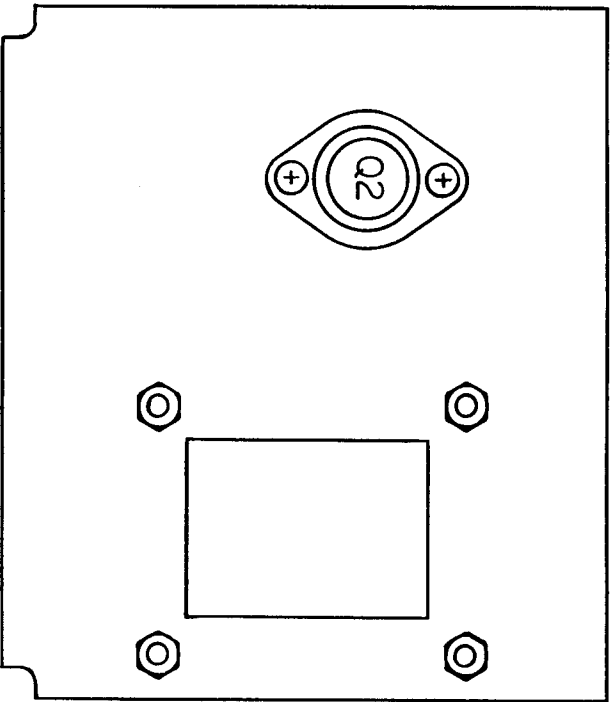
PS-102/202 (HC12-34-A)

SCALE	CHECKED BY	DRAWN BY
DATE 9/8/87	<i>J. R. P.</i>	<i>J. R. P.</i>
SIZE B	DRAWING NO. 450023	

REVISIONS				
ZONE	LTR	DESCRIPTION	DATE	APPROVED



FRONT VIEW



BACK VIEW

Benchmark Media Systems

PS-102/202 (HC12-34-A)

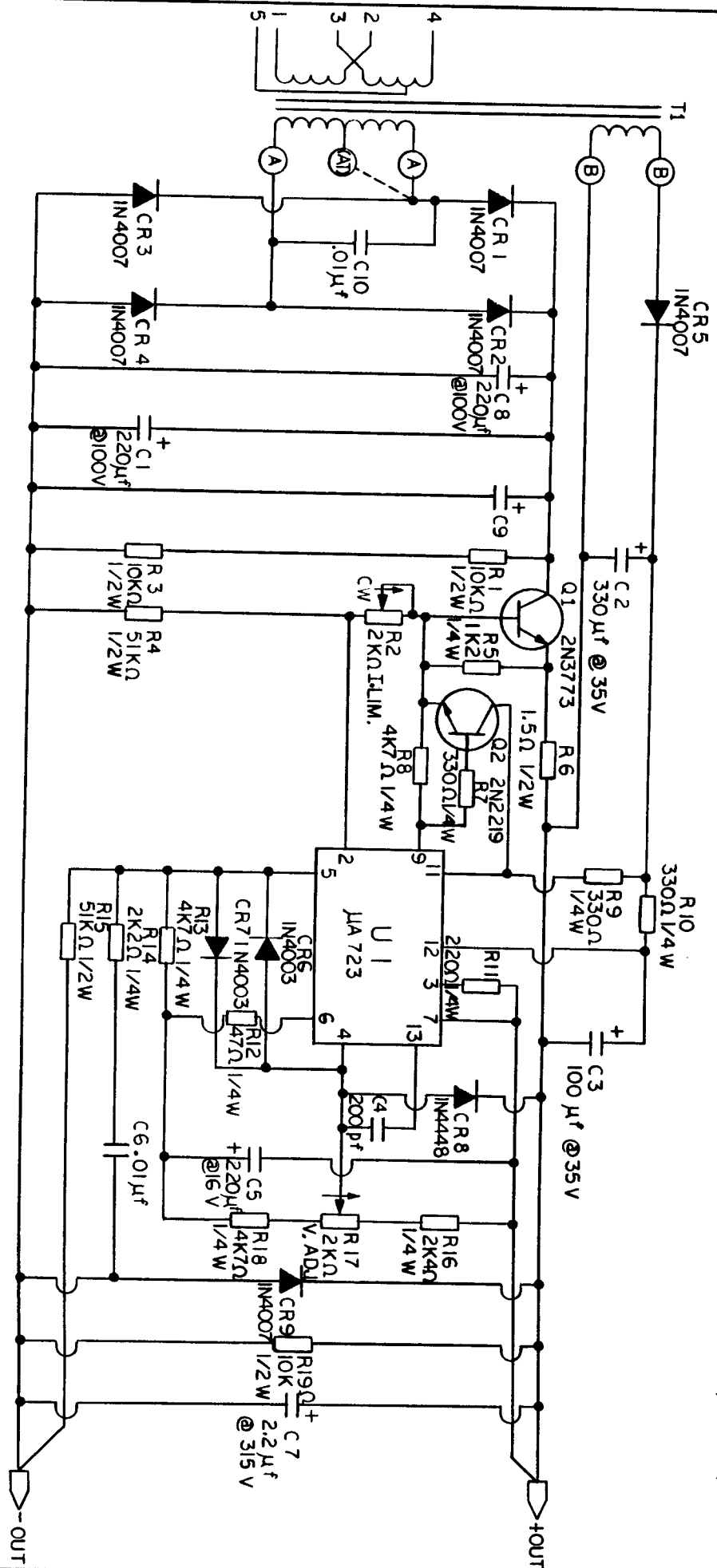
SCALE: _____ CHECKED BY: *D.H. Bauder* DRAWN BY: J.R.P.

DATE: 9/9/87

SIZE: B COMP ASS'Y DRAWING NO: 250015

ISSUE GRAPHICS, INC.
 RECORD NO. 1856

REVISIONS		DATE	APPROVED
ZONE	LTR	DESCRIPTION	



WIRING COLOR CODE
 4 BR/WHT
 2 BR
 3 BL/WHT
 1 BL
 5 BR/OR

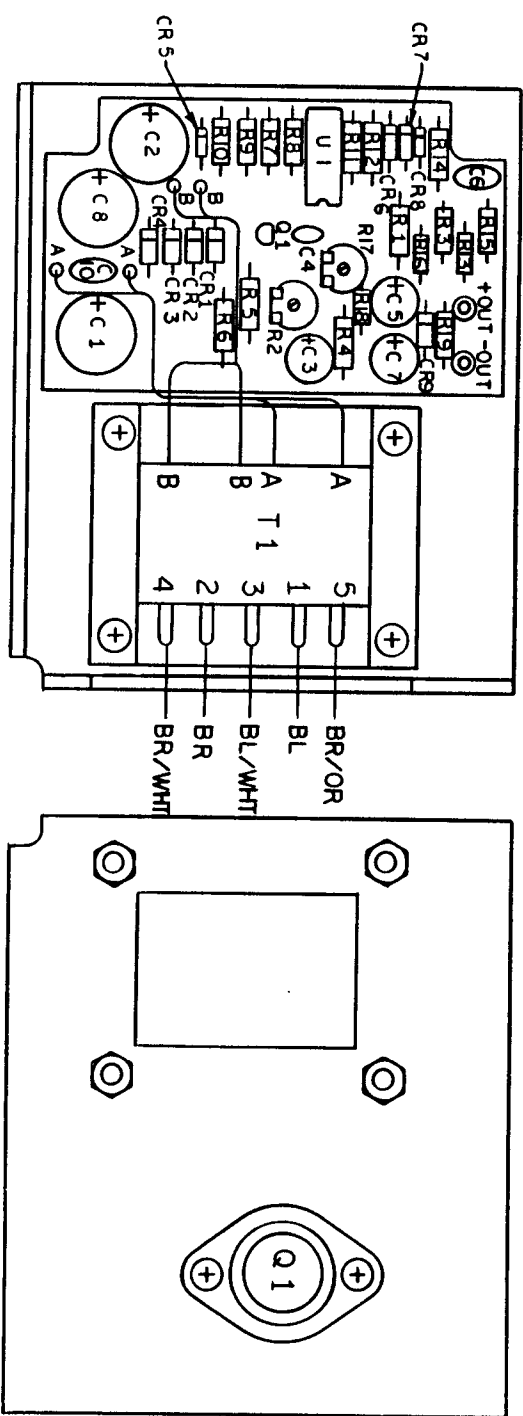
Benchmark Media Systems

PS 102/202 (HB48-5-A)

SCALE: _____ DATE: 9/9/87 CHECKED BY: *D.H. Swadlow* DRAWN BY: J.R.P.

SIZE: B OPTIONAL DRAWING NO: 450024

REVISIONS				
ZONE	LTR	DESCRIPTION	DATE	APPROVED



FRONT VIEW

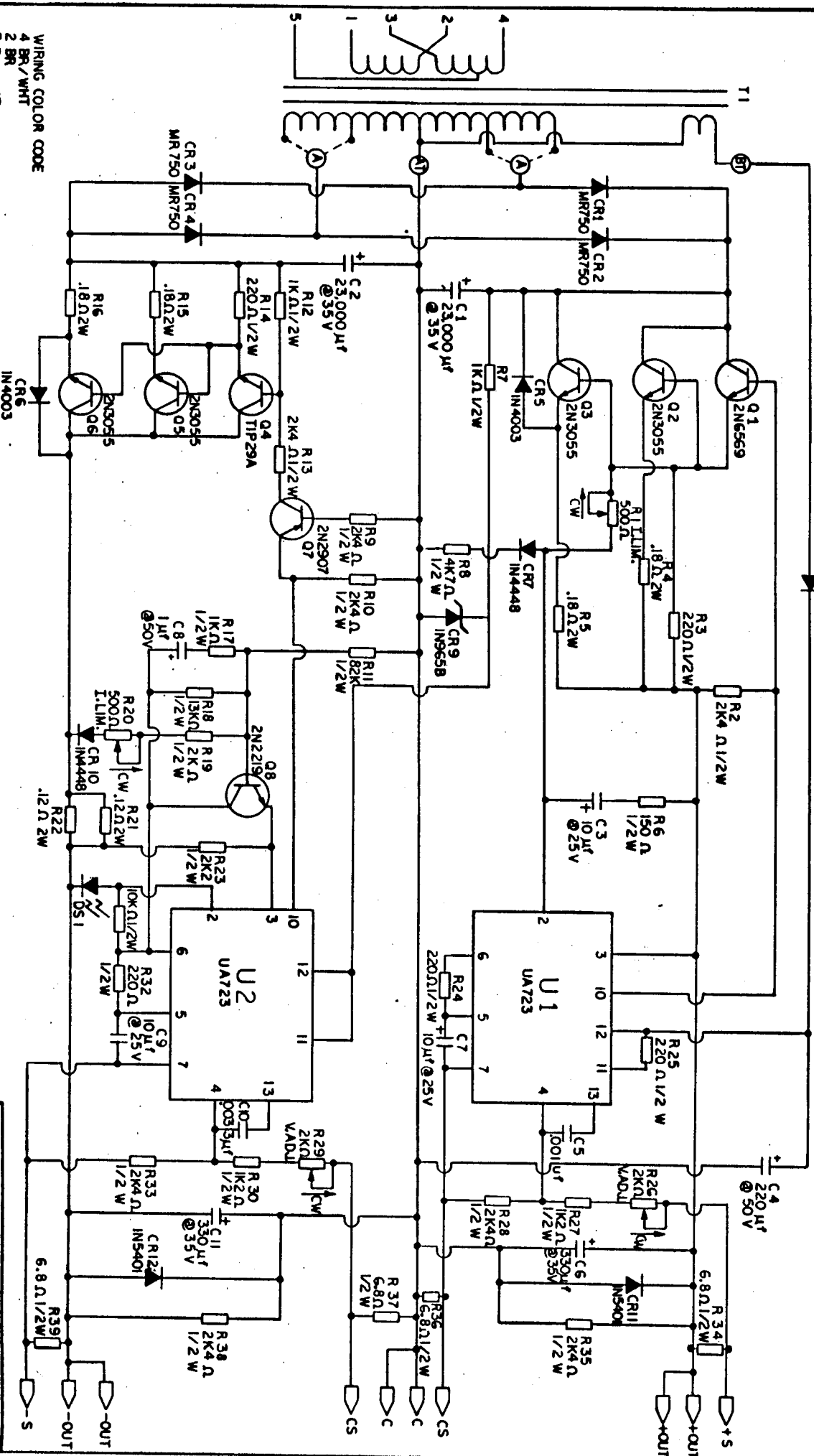
BACK VIEW

Benchmark Media Systems

PS-102/202 (HB48 -5-A)

SCALE	CHECKED BY	DRAWN BY
DATE	9/10/87	J.R.P.
SIZE	OPTIONAL	DRAWING NO. 250016

REV	DESCRIPTION	DATE	APPROVED



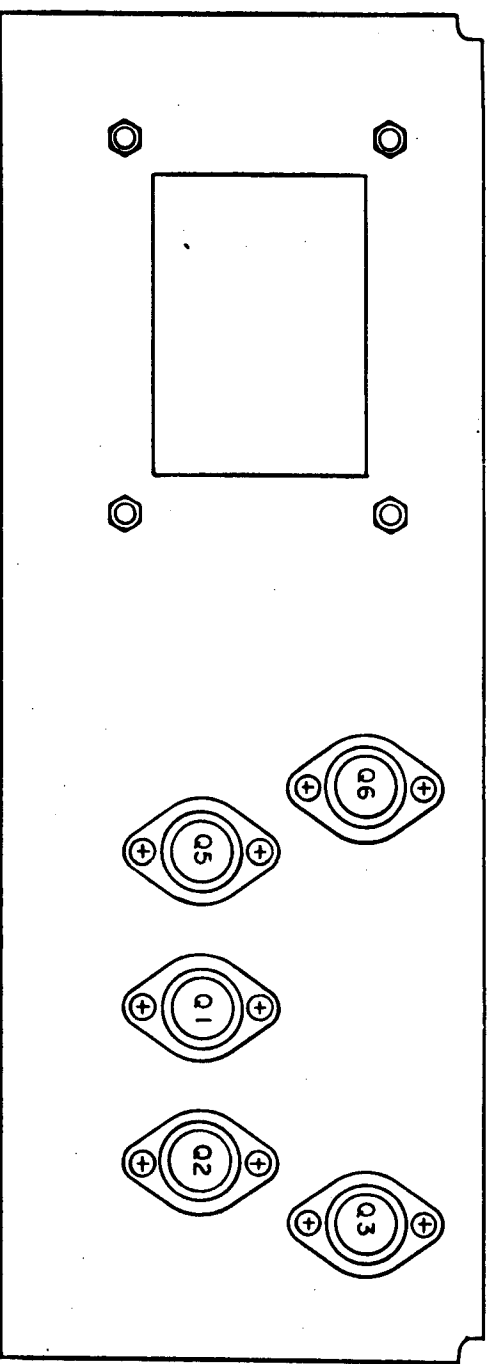
WIRING COLOR CODE
 4 BR/WHT
 2 BR/WHT
 3 BL/WHT
 1 BL
 5 BR/OR

Benchmark Media Systems

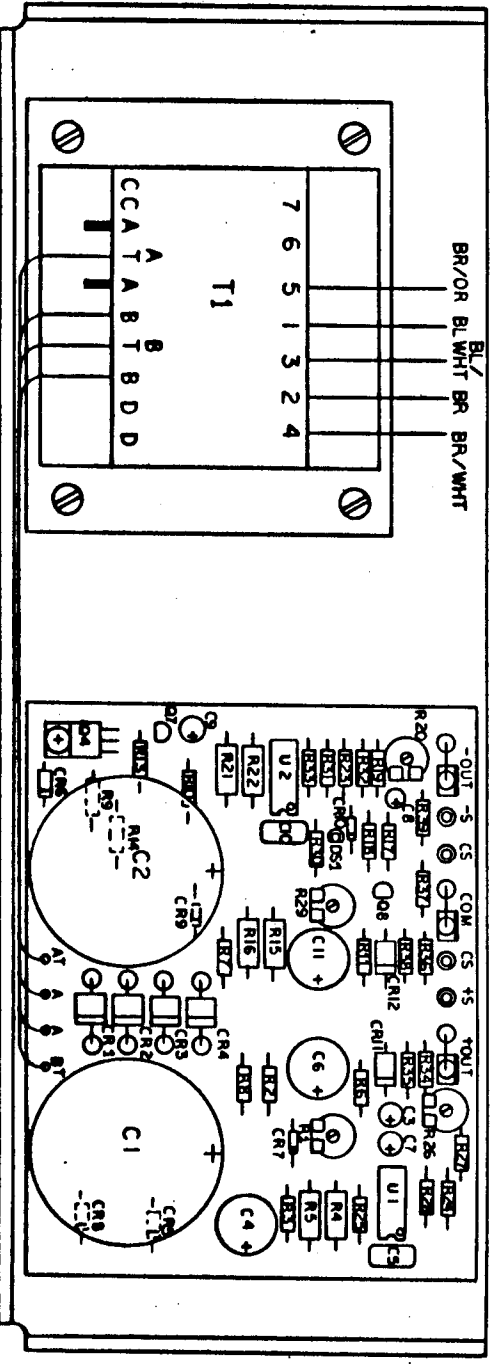
PS-102/202 (HDD15-5-A)

DATE: 9/22/81
 DRAWN BY: JHRP
 CHECKED BY: JHRP
 APPROVED BY: JHRP
 4500022

REVISIONS			
ZONE	LTW	DESCRIPTION	DATE



BACK VIEW



FRONT VIEW

Benchmark Media Systems

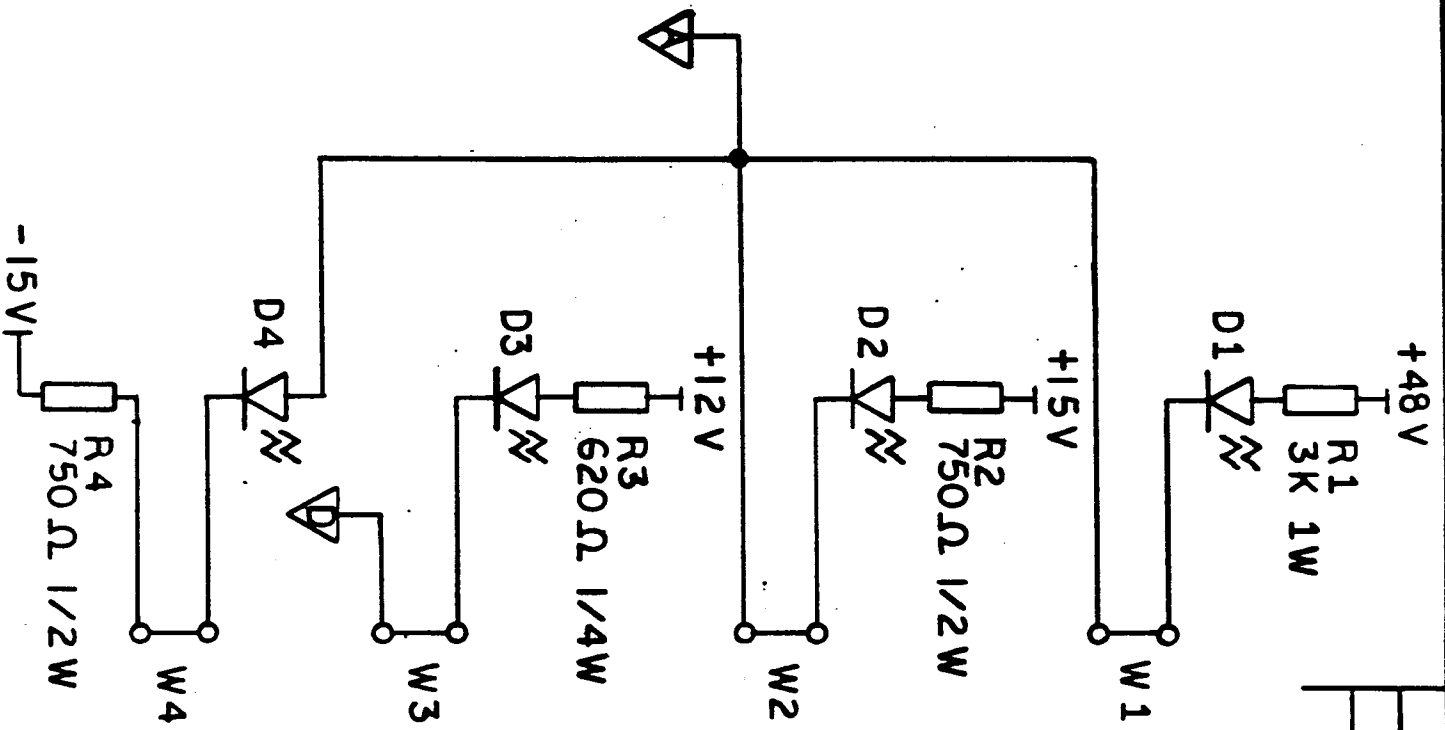
PS 102/202 (HDD15-5-A)

DATE: 5/24/2001

COMP: ASS'Y

250014

REVISIONS

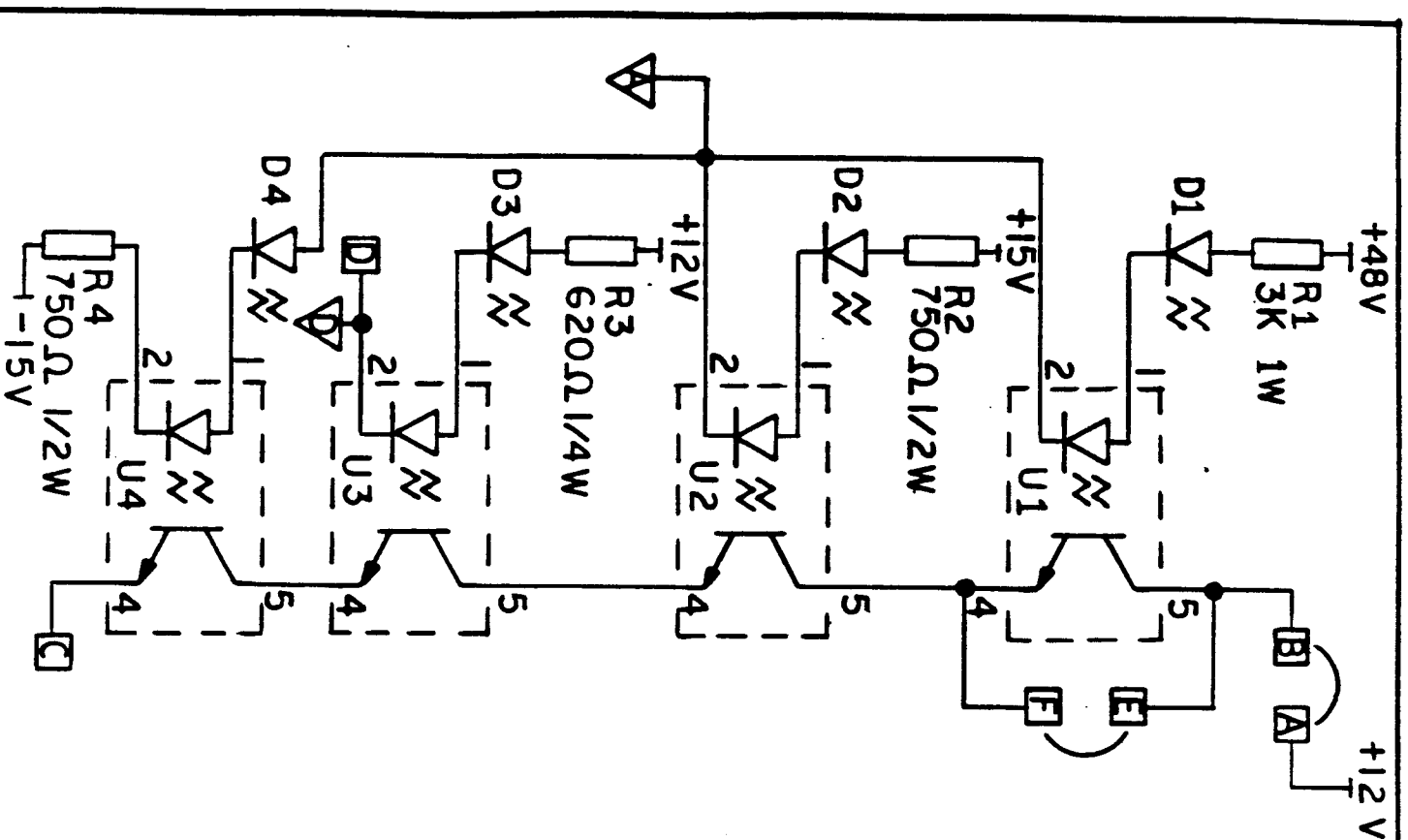


Benchmark Media Systems

L.E.D. BOARD

SCALE	CHECKED BY	DRAWN BY
DATE 8/7/89	<i>Art Brudvik</i>	J. PENFIELD
SIZE A	SCHMATIC	DRAWING NO. 450068

REVISION			
A	SEE DCN NO. 102	8/8/89	<i>A.H.B.</i>
B	SEE DCN NO. 126	10/16/89	<i>A.H.D.</i>



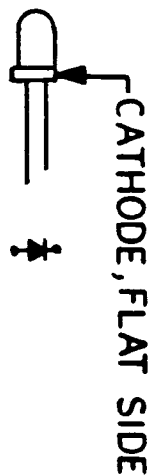
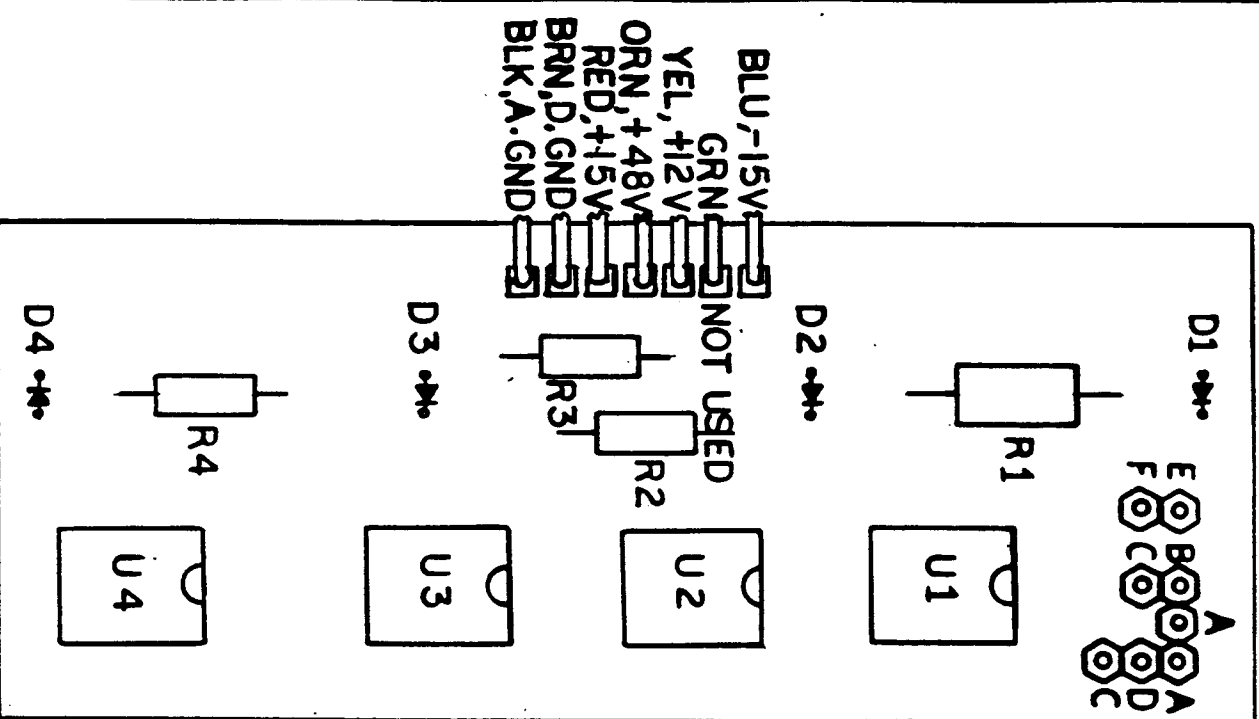
- NOTES:
1. U1-U4 ARE OPTOISLATOR CNY171VGE.
 2. A JUMPER IS USED FROM E TO F WHEN PHANTOM POWER OPTION IS NOT SELECTED & U1 IS NOT INSTALLED.

Benchmark Media Systems

L.E.D. BOARD FOR POWER SUPPLY ALARM

SCALE	CHECKED BY	DRAWN BY	DRAWING NO.
DATE 8/2/88	<i>A.H. Swadick</i>	J. PENFIELD	4500055
SIZE A	SCHEMATIC		

REVISIONS			
A	SEE DCN NO. 101	8/7/89	A.H.S.

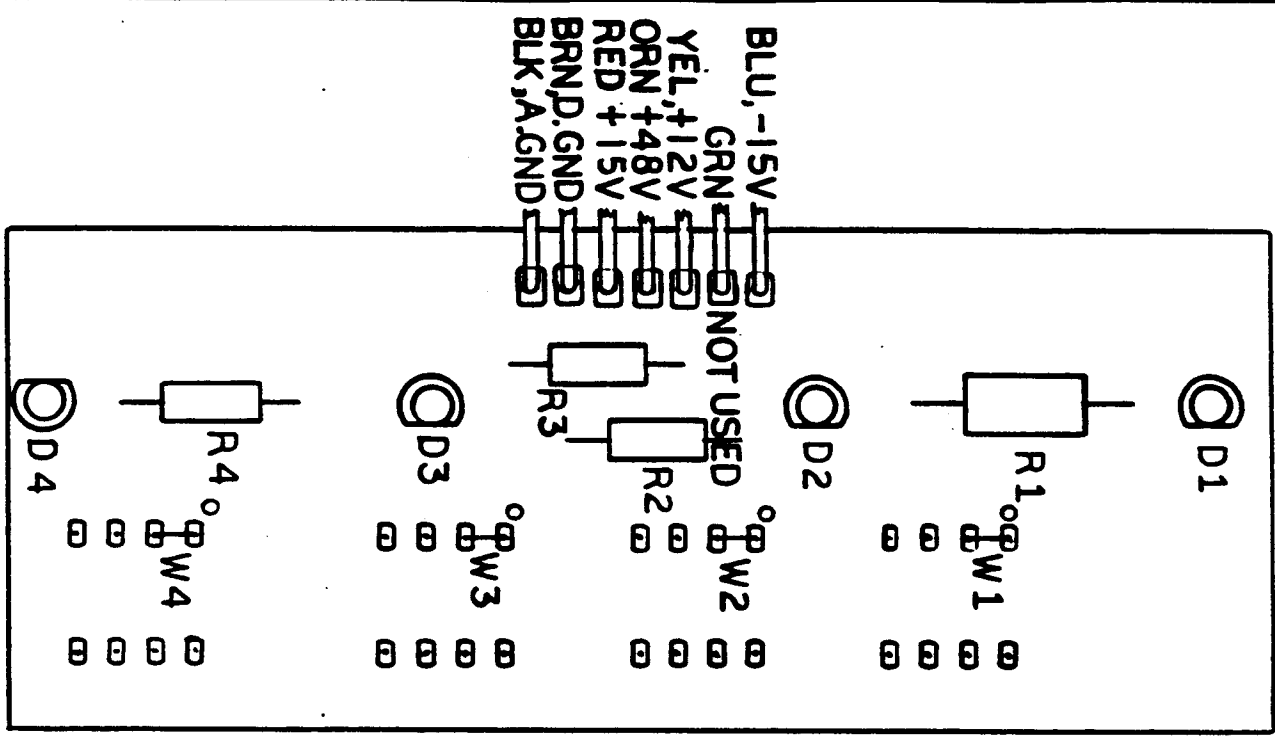


NOTES:
 1. L.E.D.S ARE MOUNTED ON BACK OF BOARD.

Benchmark Media Systems

L.E.D. BOARD FOR POWER SUPPLY ALARM			
SCALE	CHECKED BY	DRAWN BY J. PENFIELD	
DATE 8/3/88	<i>A.H. Swadlow</i>		
SIZE A	COMP. ASS'Y.	DRAWING NO.	250048

REVISIONS



Benchmark Media Systems

LED BOARD

SCALE	CHECKED BY	DRAWN BY
DATE 8/7/89	<i>A. Th. Boudier</i>	J. PENFIELD
SIZE A	COMP. ASS'Y.	DRAWING NO. 250065