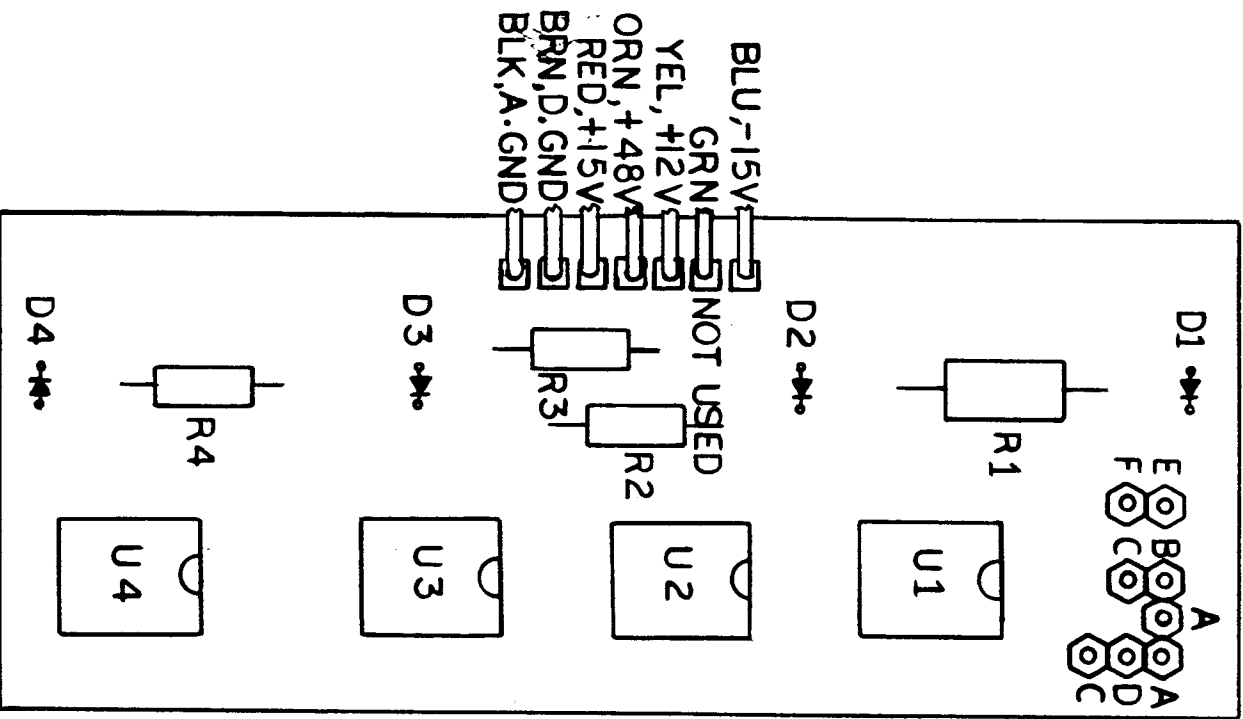


REVISIONS		
A	SEE DCN NO. 101	8/7/89
		<i>A.ATS.</i>



NOTES:
 1. L.E.D.S ARE MOUNTED ON BACK OF BOARD.

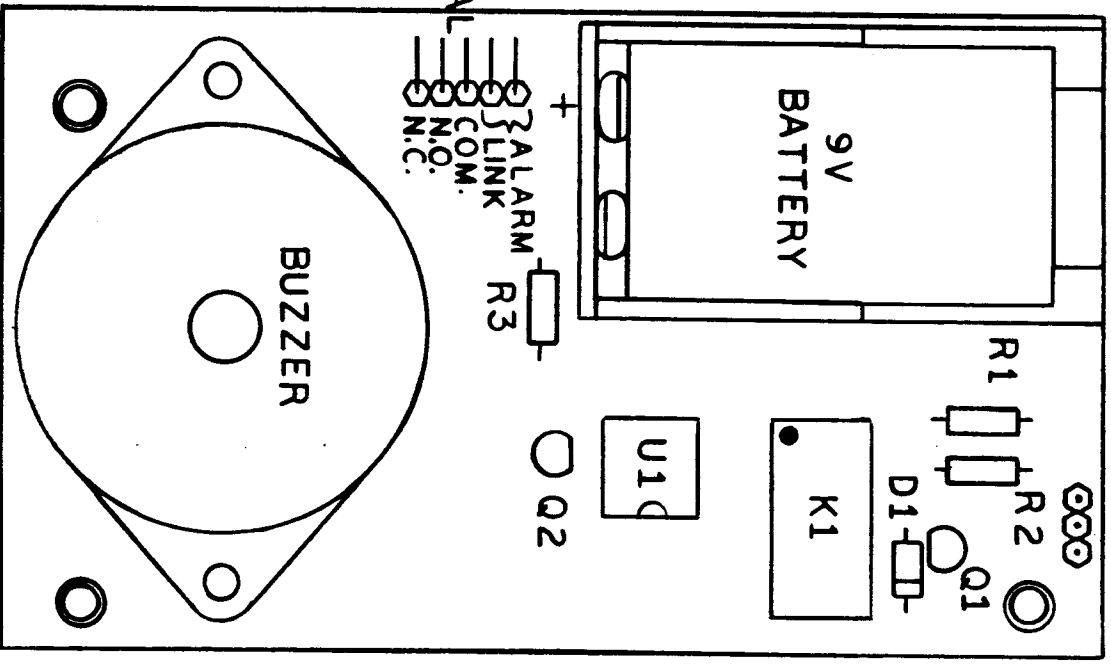
Benchmark Media Systems

L.E.D. BOARD FOR POWER SUPPLY ALARM

SCALE	CHECKED BY	DRAWN BY	DRAWING NO.
DATE	<i>A.ATS.</i>	J. PENFIELD	250048
SIZE	COMP. ASS'Y.		
A			

FROM MASTER
L.E.D. BOARD
ADC

REVISIONS		
A	SEE DCN NO. 160	2/7/90 JRP



Benchmark Media Systems

ALARM BOARD

SCALE	CHECKED BY	DRAWN BY
DATE	<i>John Goodale</i>	J. PENFIELD
SIZE	COMP ASS'Y	DRAWING NO. 250049
A		