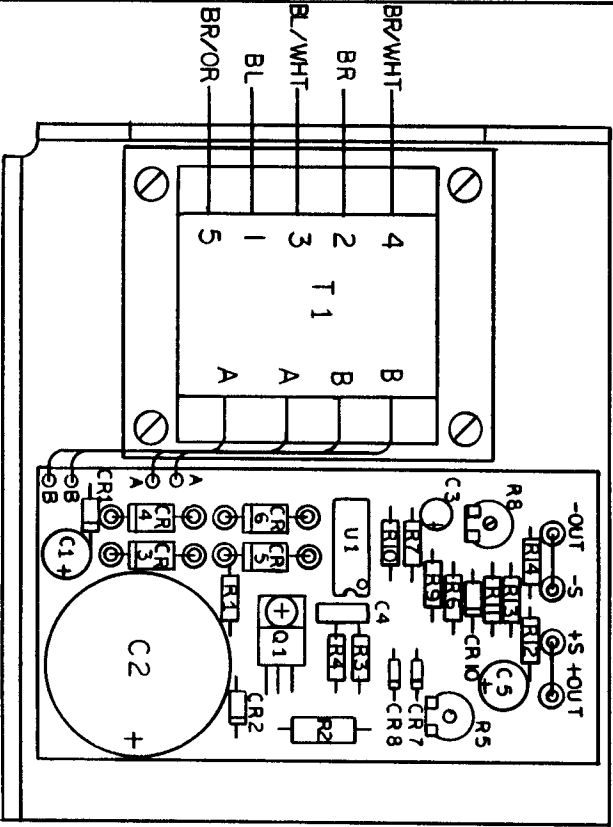
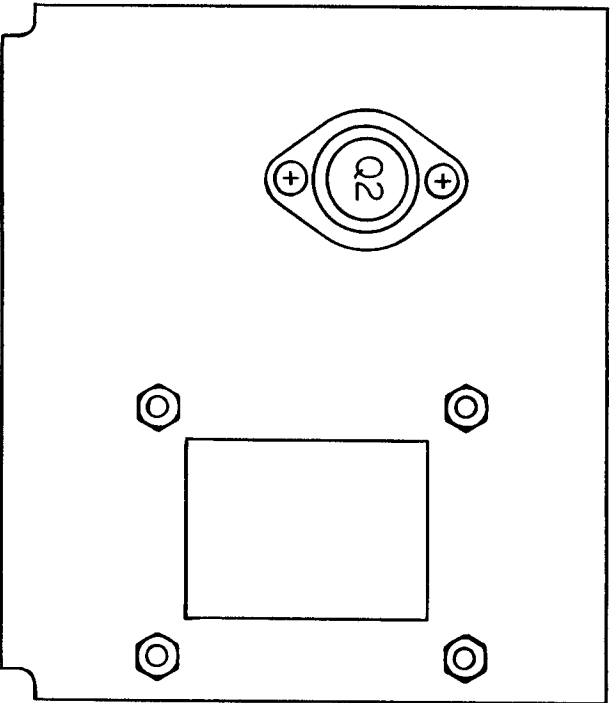


REVISIONS				
ZONE	LTR	DESCRIPTION	DATE	APPROVED



FRONT VIEW



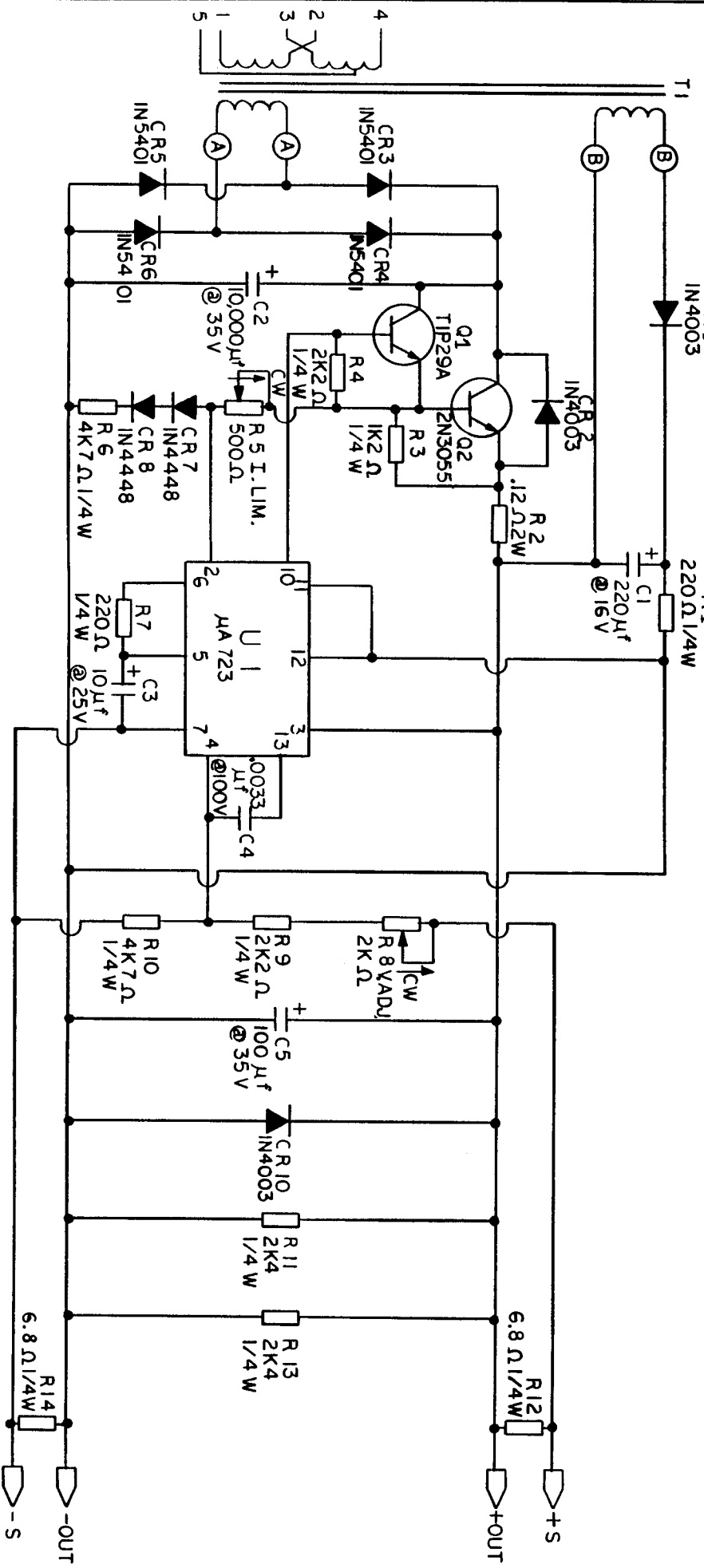
BACK VIEW

Benchmark Media Systems

PS-102/202 (HC12-34-A)

SCALE	CHECKED BY	DRAWN BY
DATE 9/9/87	<i>A.H. [Signature]</i>	J.R.P.
SIZE B	COMP ASS'Y	DRAWING NO. 250015

REVISIONS		DATE	APPROVED
ZONE	LTR	DESCRIPTION	



WIRING COLOR CODE
 4 BR/WHT
 2 BR/WHT
 3 BL/WHT
 1 BL
 5 BR/OR

Benchmark Media Systems

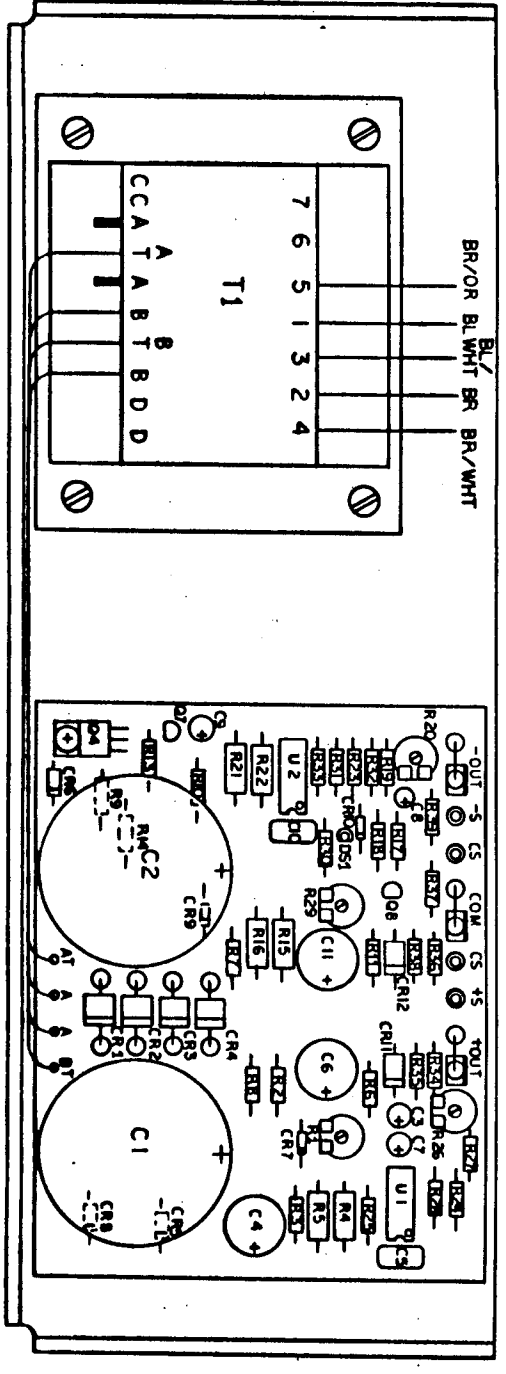
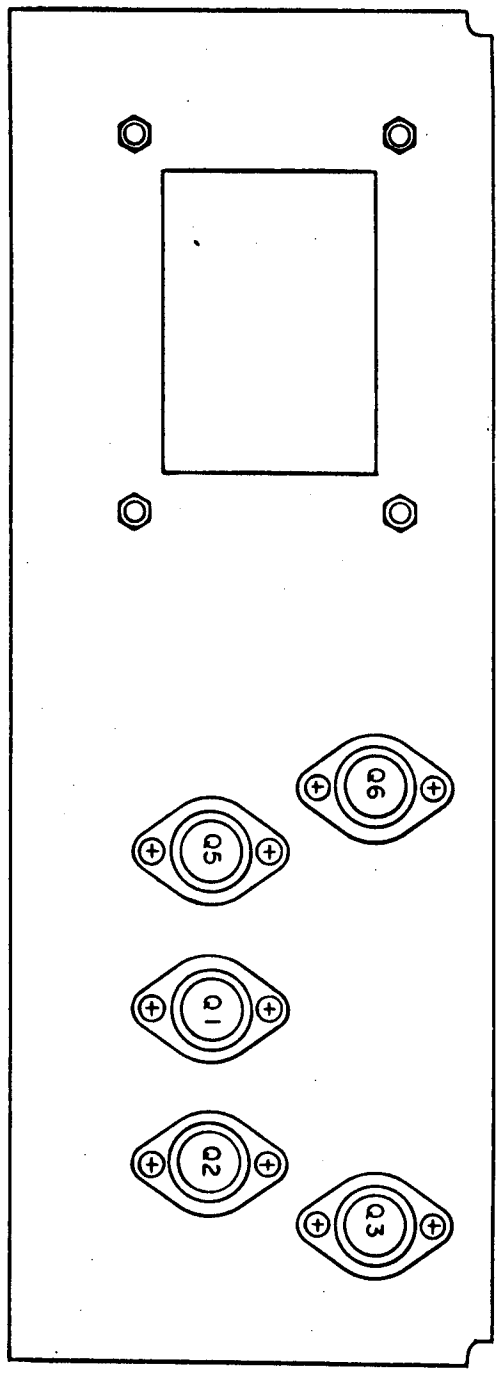
PS-102/202 (HC12-34-A)

SCALE: _____ CHECKED BY: *J.H. Gaudin* DRAWN BY: J.R.P.

DATE: 9/9/87

SIZE: B DRAWING NO. 450023

REVISIONS		DATE	APPROVED
ZONE	LIB	DESCRIPTION	



Benchmark Media Systems

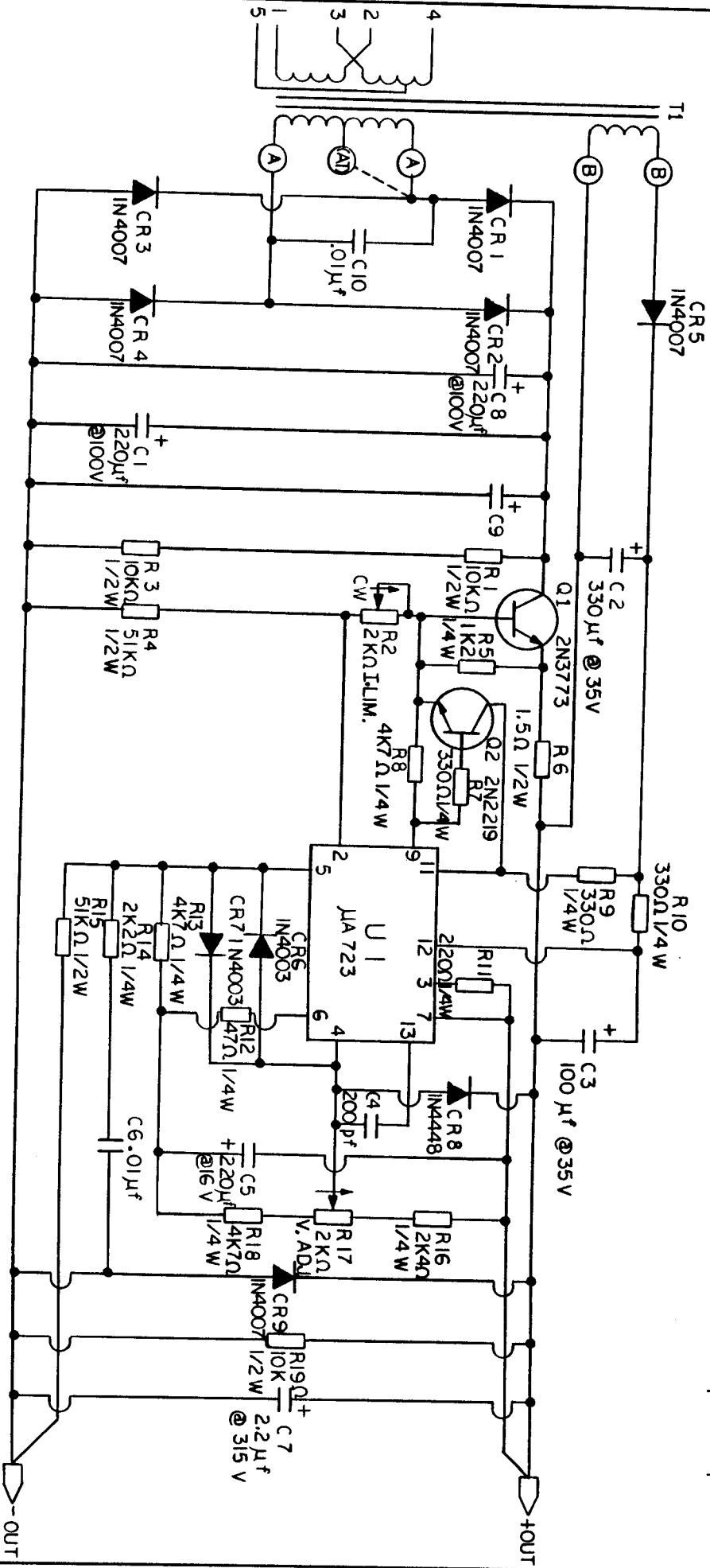
PS 102/202 (HDD15-5-A)

DATE: 5/24/87

COMP: ASS'Y

250014

REVISIONS			
ZONE	LTR	DESCRIPTION	DATE



WIRING COLOR CODE
 4 BR/WHT
 2 BR
 3 BL/WHT
 1 BL
 5 BR/OR

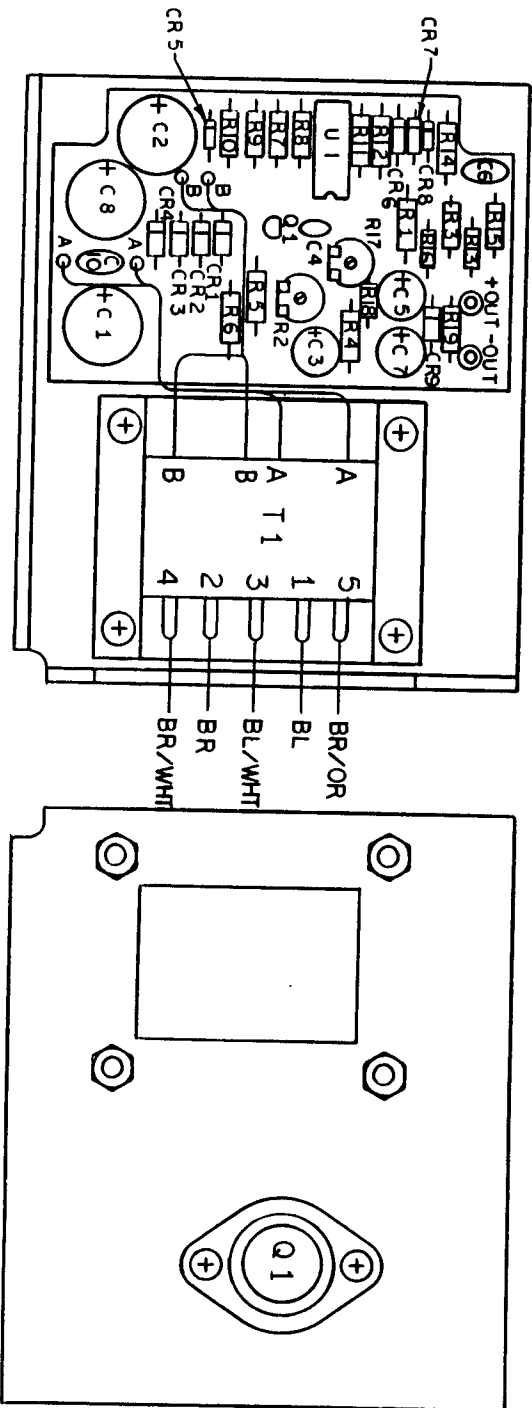
Benchmark Media Systems

PS 102/202 (HB48-5-A)

SCALE _____ CHECKED BY _____ DRAWN BY J.R.P.
 DATE 9/9/87 DATE _____
 SIZE B OPTIONAL DRAWING NO. 450024

BRIDGE GRAPHICS, INC.
REVISED 02/1988

REVISIONS				
ZONE	LTR	DESCRIPTION	DATE	APPROVED



FRONT VIEW

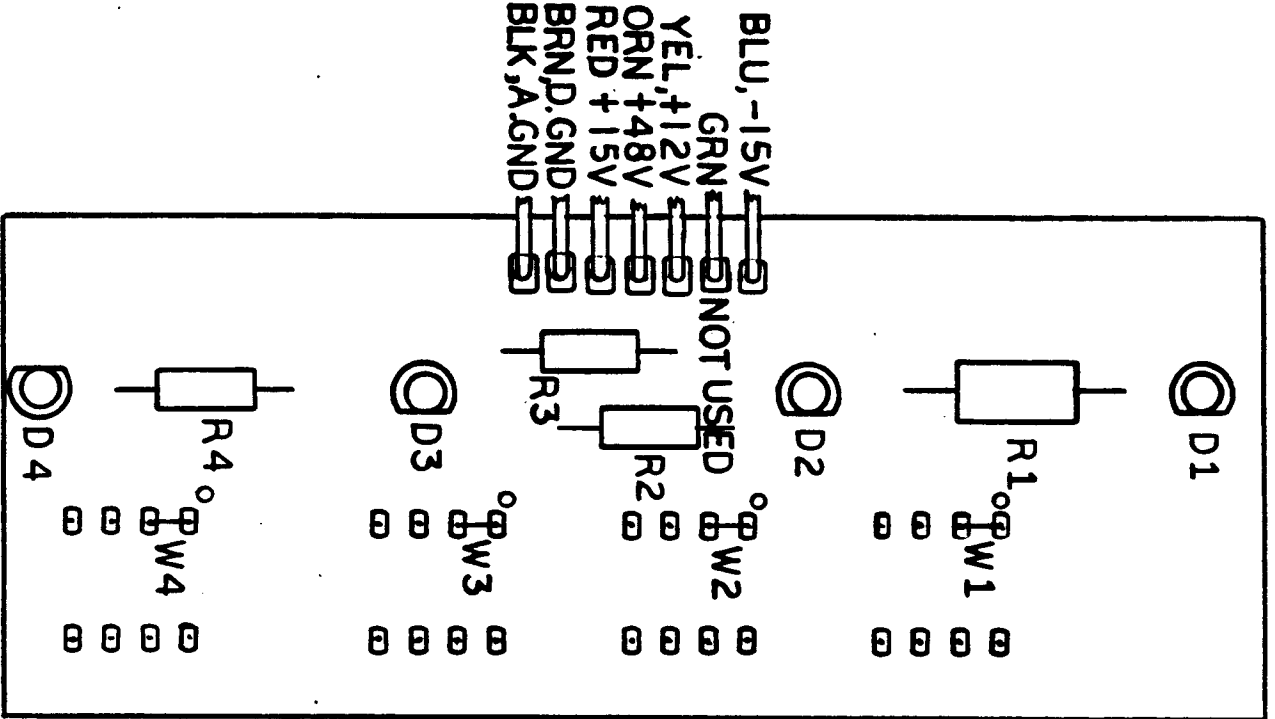
BACK VIEW

Benchmark Media Systems

PS-102/202 (HB48-5-A)

SCALE	CHECKED BY	DRAWN BY
DATE	9/10/87	J.R.P.
SIZE	OPTIONAL	DRAWING NO. 250016

REVISIONS

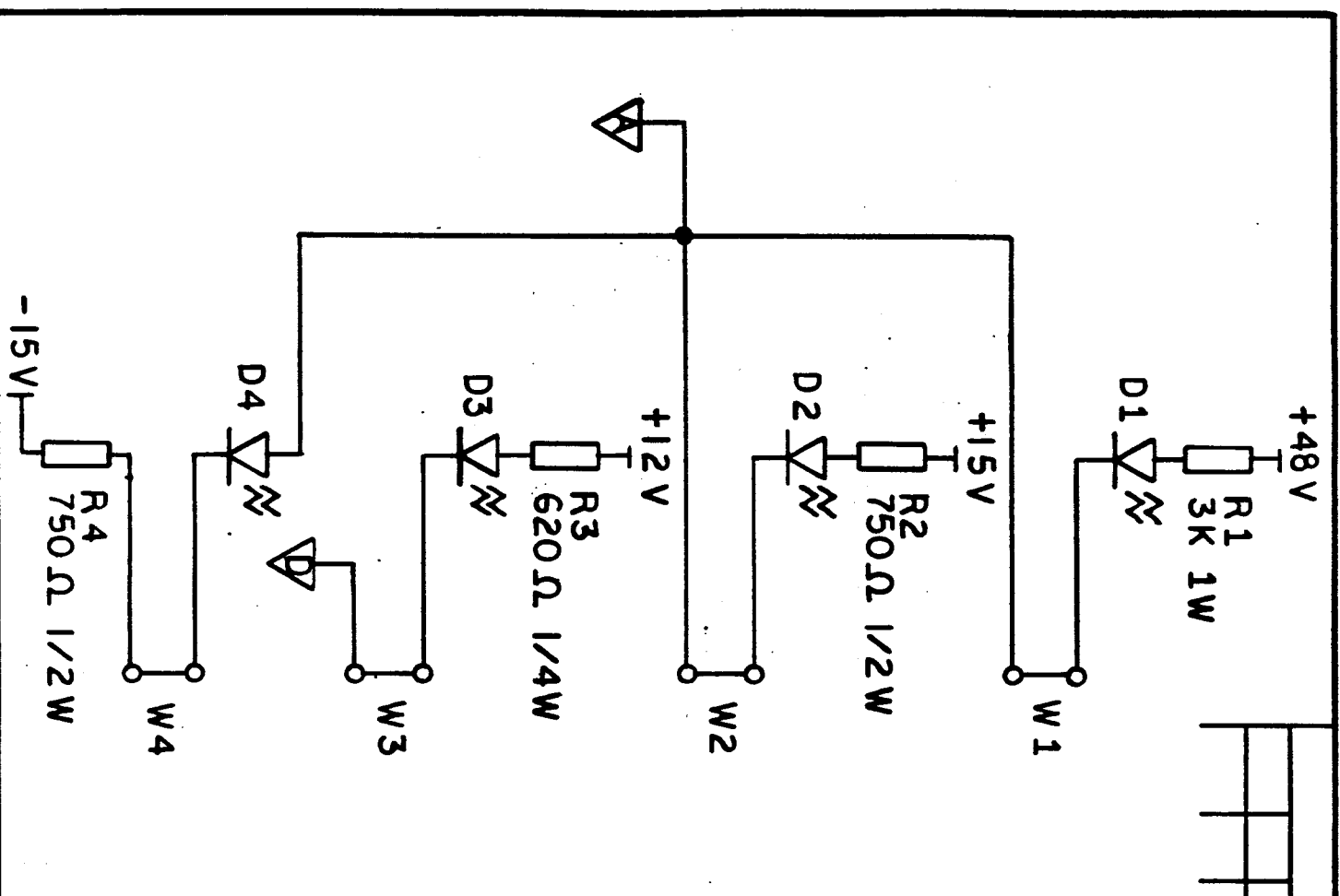


Benchmark Media Systems

LED BOARD

SCALE	CHECKED BY	DRAWN BY
DATE	<i>A. St. Burdick</i>	J. PENFIELD
SIZE	COMP. ASS'Y.	DRAWING NO.
A		250065

REVISIONS

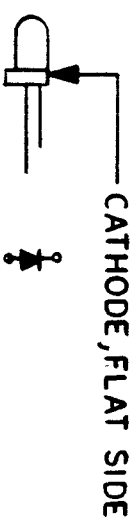
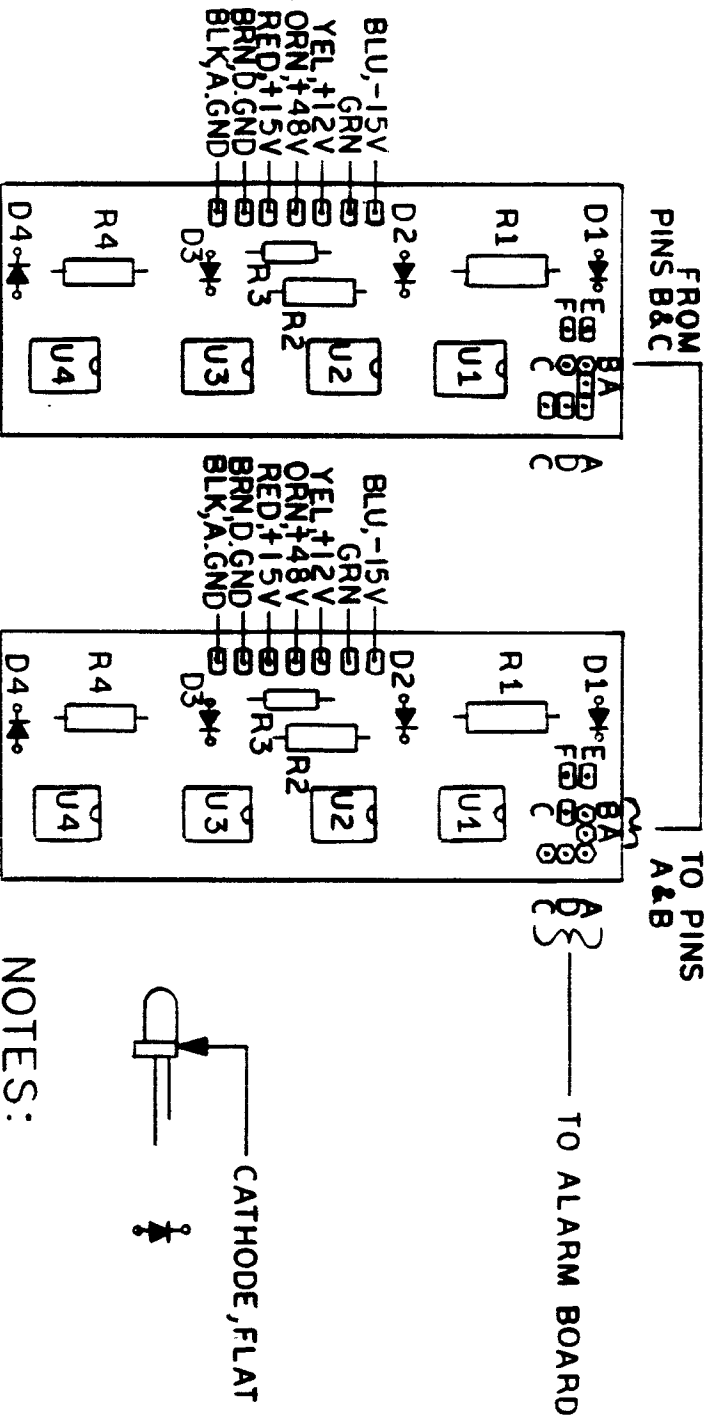


Benchmark Media Systems

L.E.D. BOARD

SCALE	CHECKED BY	DRAWN BY
DATE 8/7/89	<i>A.H. Buckle</i>	J. PENFIELD
SIZE A	DRAWING NO. 450068	
SCHEMATIC		

REVISIONS	



NOTES:
 1. LEDs ARE MOUNTED ON BACK OF BOARD.

Benchmark Media Systems

LED BOARD FOR PS-202 WITH ALARM

SCALE	CHECKED BY	DRAWN BY
DATE 10/18/89	<i>W. J. Penfield</i>	J. PENFIELD
SIZE A	COMP ASS'Y	DRAWING NO. 250069