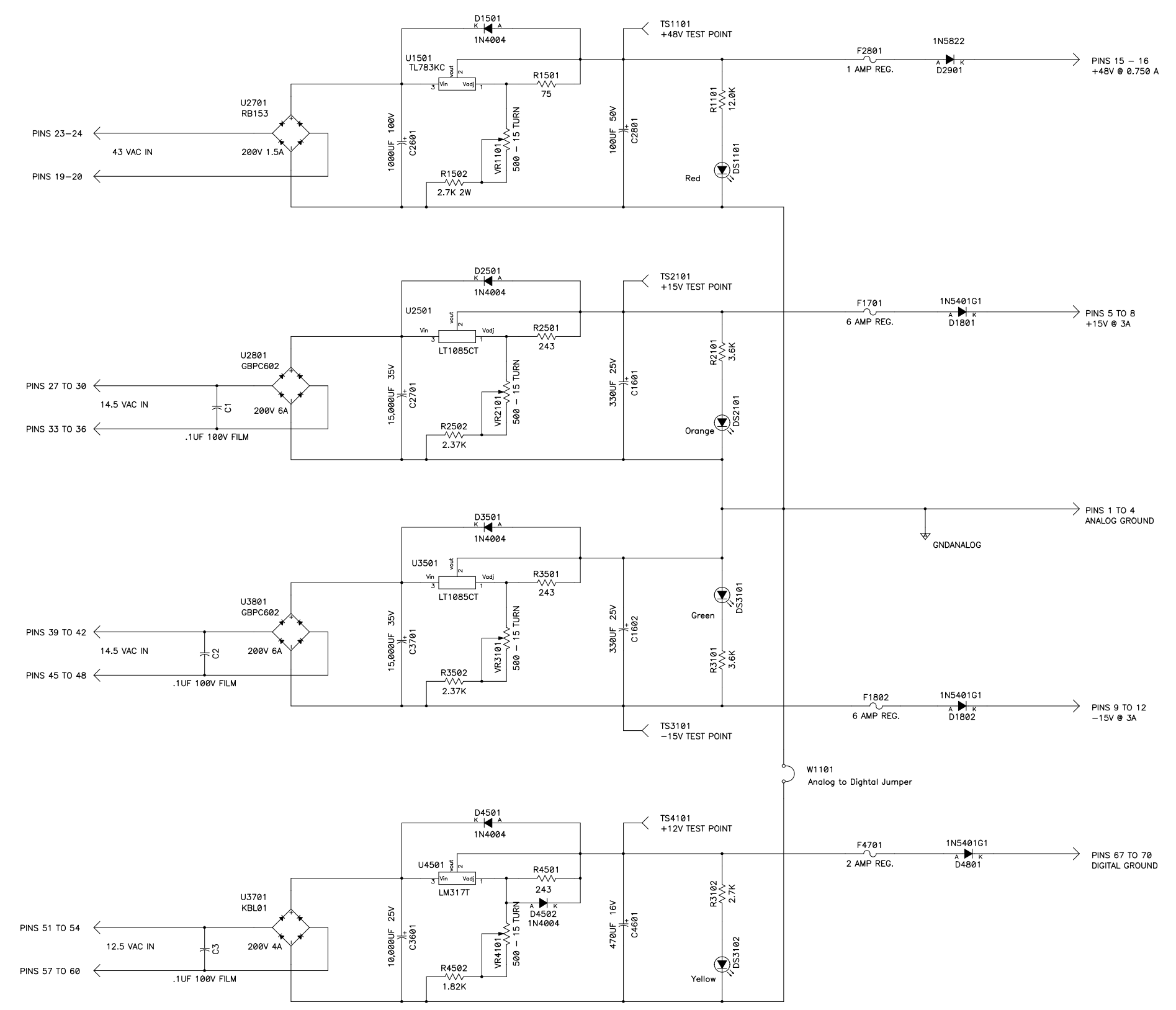


REVISIONS			
B	Added C1, C2 & C3. Migrated to ACCEL format.		RAH



NOTES:
1. TRANSFORMER AS SEPARATE EXTERNAL MODULE.

Benchmark Media Systems, Inc			
Title PS-302 Regulator Module			
Scale	Checked By	Drawn by Allen H. Burdick	
Date 4/05/92	Sheet 1 of 1	Drawing No 450103	
Size B	Filename	Assy Number 500-02301-000	Rev B