

BENCHMARK MEDIA SYSTEMS, INC.

Preliminary IFA-10 Information

The IFA-10 is a 4 in by 4 out mixing amplifier. It may be used for aux mixing, for the creation of mix-minus feeds with telco or satellite communication, as a four in - four out line amplifier, etc.

This preliminary information sheet should get the installer through the initial install and setup phases of the IFA-10.

The unit has internal jumpers to allow the assignment of inputs to outputs. These jumpers are a combination of 0.025" sq posts and a shorting jumper. As shipped, the IFA-10 is programmed to be a direct (one for one) line amplifier, that is input one is jumpered to output 1, input 2 feeds output 2, etc. Jumpers are included to allow all inputs to mix into every output.

Gain Setting

The input and output gains have been set for unity, overall. Under normal conditions the input levels will be the same as the output levels, that is if the input level to input 1 is +4 dBu, then the expected output level would also be +4 dBu. The input sections take a loss of 6 dB at the differential input amplifier which in turn is made up at the output stage with the dual output amplifiers. Internally the amplifier system is operated at a level 6 dB below the input or output level. The input stage gains have been set for this operation, and the output stages have been set to their normal max of unity. If additional gain is need, it will need to be taken at the input amplifier, and therefore will be common to all outputs that receive that signal.

A preliminary connector pinout diagram is included as well as a preliminary schematic. If any installation questions remain please call us at 315-437-6300 and ask for technical support.

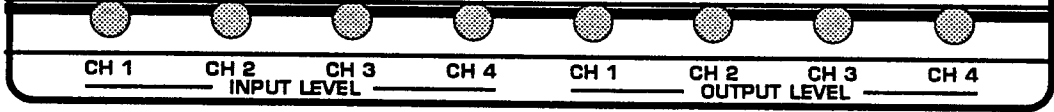
BENCHMARK MEDIA SYSTEMS, INC.

5925 Court Street Road
Syracuse, NY 13206-1707

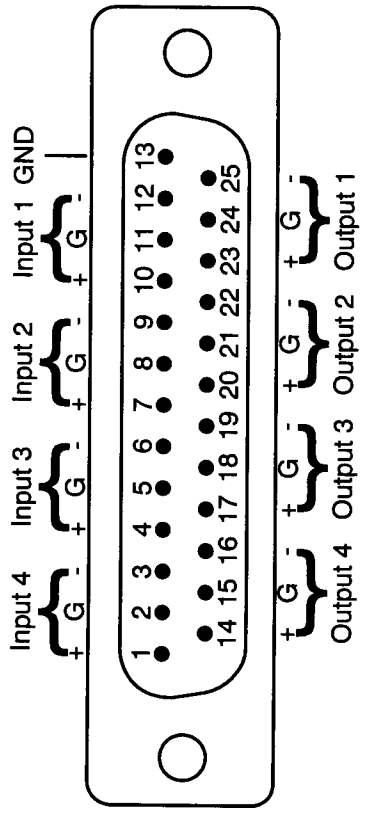
Form date 12-3-91

Benchmark
MEDIA SYSTEMS

4 X 4 ASSIGNABLE MIXER 10



A	Corrected Pin Numbering	Nov 13, '95	A. H. B.
---	-------------------------	-------------	----------



Notes- 25 Pin Female "D" Connector Wiring to mate with a male chassis connector.

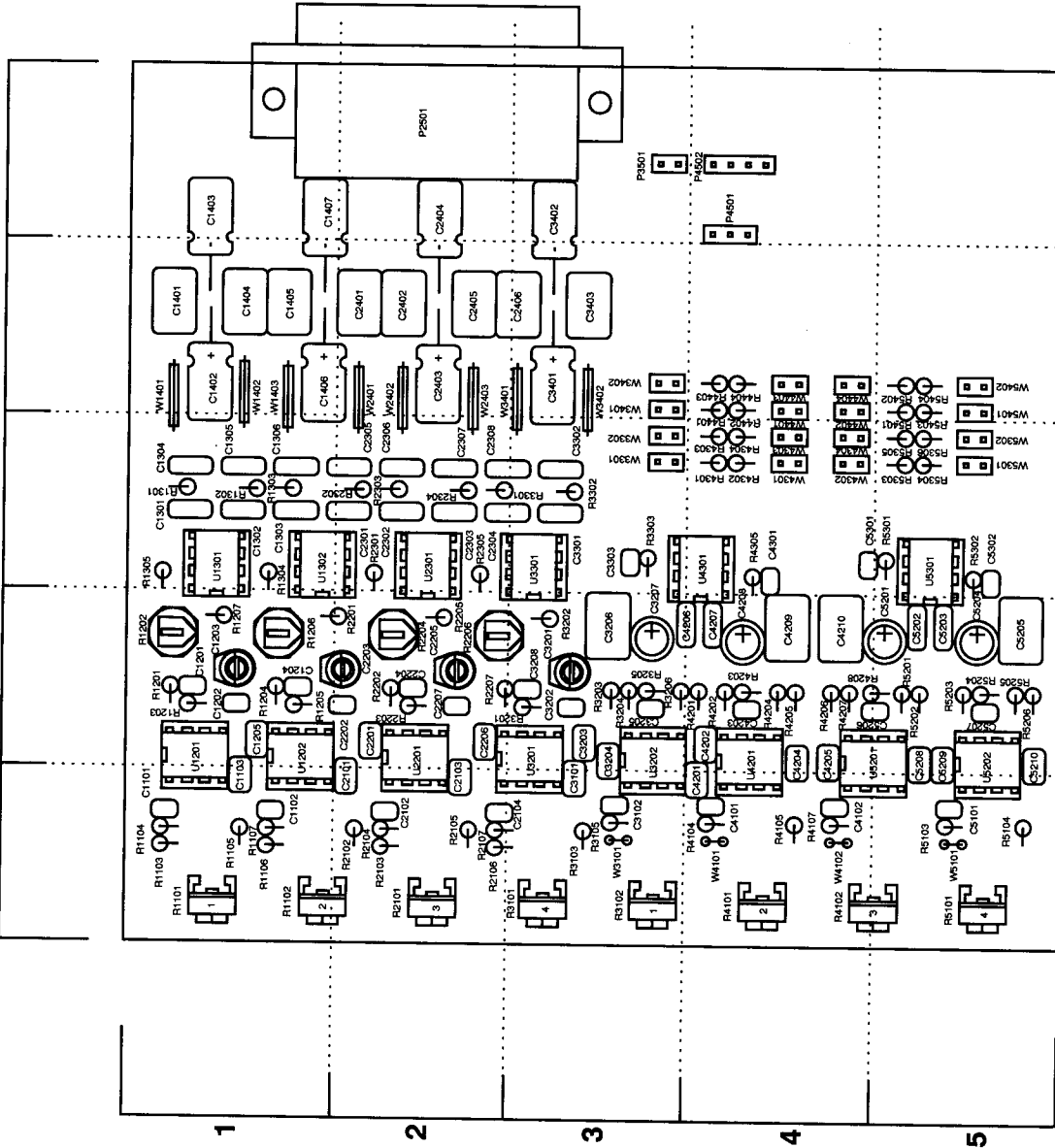
Approval		BENCHMARK MEDIA SYSTEMS, INC.	
Drawn by: A. H. Burdick		IFA-10, 4x4 Mixer, Connector Pinout	
Checked by:		A	
Issued		Date 9-26-94	Drawing No. 150144
Scale 1:1		PN:	
		Sheet 1 of 1	

REVISIONS

A SEE DCN NO. 243

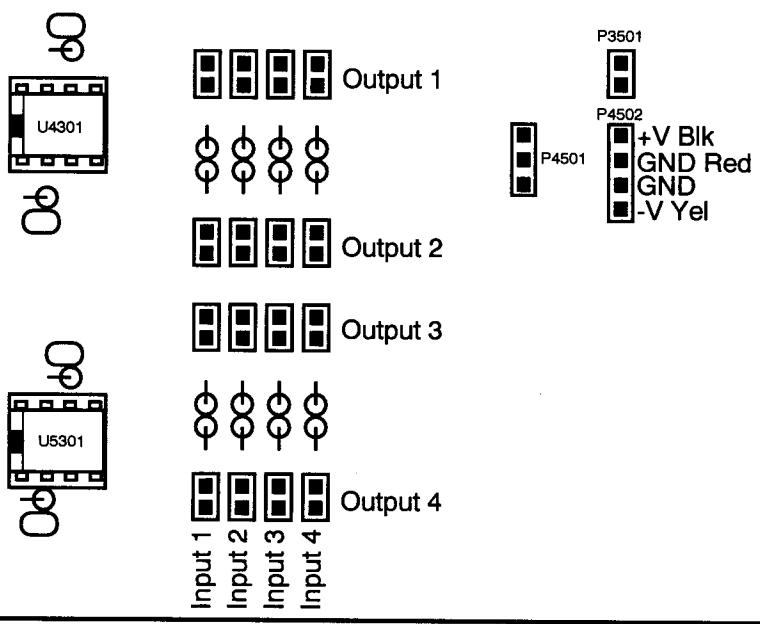
6/11/92

1 2 3 4 5



NOTES :
 1. CAPACITORS C1402, C1403, C1405, C1407, C2403, C2404, C3401 & C3402 ARE MARKED WITH POLARITY FOR THE TOP LEAD.

APPROVALS		BENCHMARK MEDIA SYSTEMS, INC.	
DRAWN	J. PENFIELD		
CHECKED			
REVIEWED			
DATE	12/6/91	DWG. NO.	250099
SCALE	2 X	SHEET	1 OF 1



Notes-

Approval	BENCHMARK MEDIA SYSTEMS, INC.		
Drawn by: A. H. Burdick			
Checked by:	IFA-10 Mix Matrix Illustration		
Issued			
	A	Date 2/7/95	Drawing No. 150152
	Scale 1:1	PN:	Sheet 1 of 1