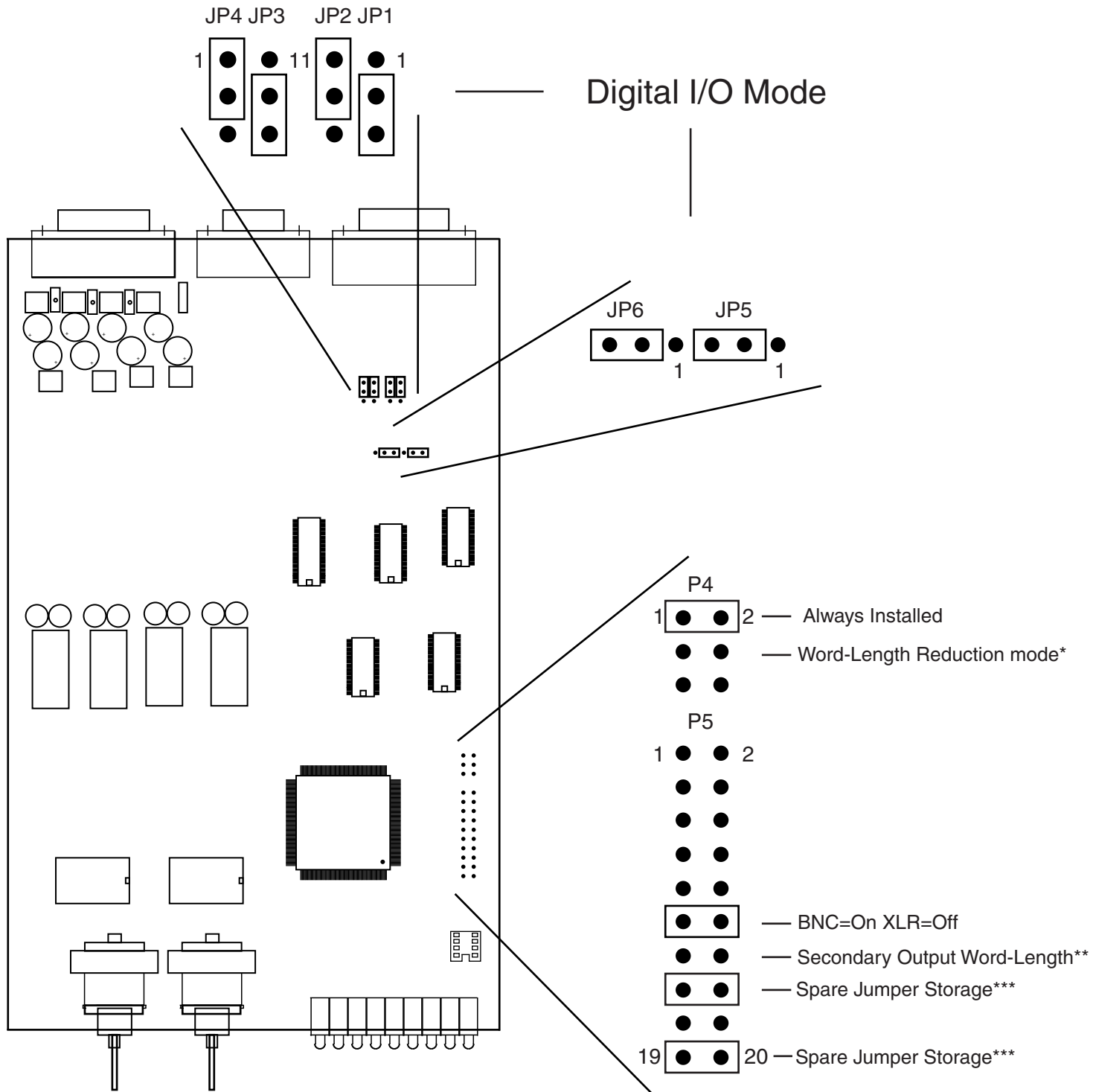


# Software version 1.12 default Jumper Settings for use with 75 ohm BNC Mother Boards.



\* **Word-Length Reduction Mode:** Install jumper to select Near-Nyquist word-length reduction. Remove jumper to select inverse F-weighted noise shaping (default).

\*\* **Secondary Output Word-Length:** Install jumper to set secondary outputs to a fixed 24-bit word-length. Remove jumper to allow the word-length of the secondary outputs to follow that of the primary outputs (default). (The front-panel word-length selector switch always controls the word-length of the primary outputs). Some 8-channel converters are not equipped with secondary outputs.

\*\*\* **Spare Jumper Storage Locations:** These locations may be used to store spare jumper plugs.