

## Swing gate

**The swing gate  
for safe access**

**Securely enclosing  
your property**

**Available as a single  
or double configuration**



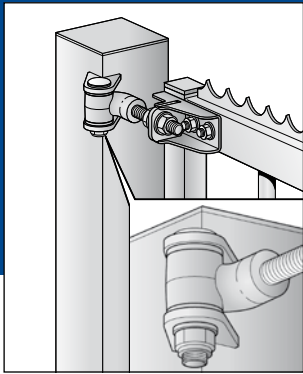
Are you looking to provide a secure access point in a fence?  
Then go for the Heras Euro gate: an excellent product!

## Euro gate

Heras is often asked if a swing gate in a fence is the weakest link in a perimeter or building protection system. The answer is 'no', especially where a locked Heras Euro gate is concerned. Because, down to its very last detail, the Euro gate is a part of your fence that keeps trouble outside.

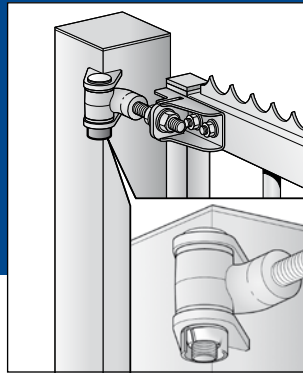
The Euro gate is available in several models, i.e.: Heracles, Atlas, Athos, Pegasus and Pallas. It goes without saying that these models match the fence lines in question. All models of gate can be supplied with single or double gate leaves.

**HERAS**



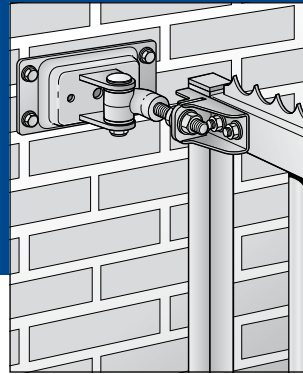
#### Hinge set

- Continuously adjustable
- Maximum rotation approx. 180°



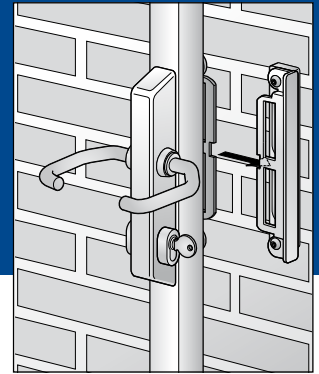
#### Safety nut

- Unique guarded safety nut



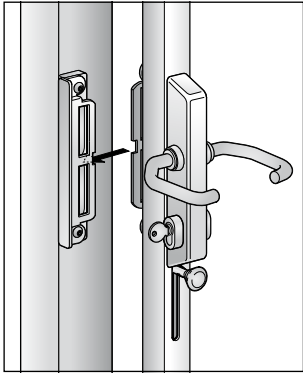
#### Wall hinge set

- Attachment by means of stainless steel coach screws and plugs



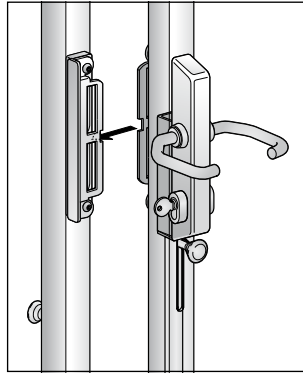
#### Wall slam set

- Aluminium wall slam plate
- Steel and protective catch plates



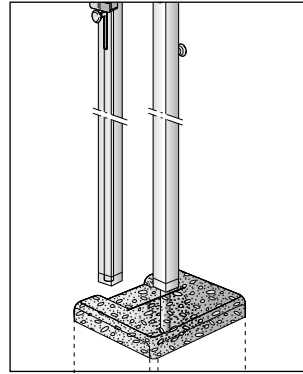
#### Closure of single-leaf swing gate

- Euro profile cylinder lock
- Aluminium lock case
- Steel protective catch plates



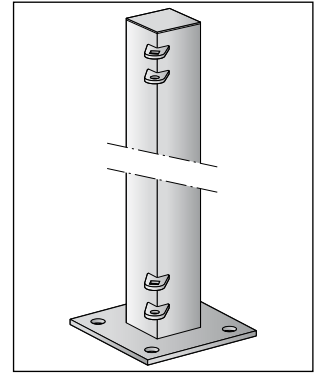
#### Closure of double-leaf swing gate

- Euro profile cylinder lock
- Aluminium lock case
- Steel protective catch plates
- Drop bolt locked by the night latch



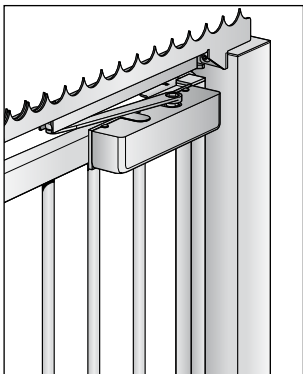
#### Drop bolt

- Ø26 mm tube hidden in the box profile
- Concrete stop pad
- Locks the gate in closed and open positions



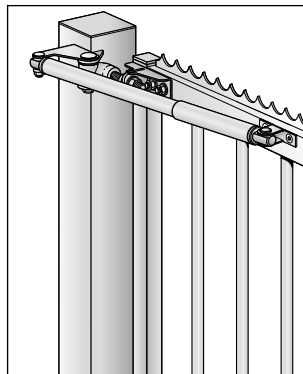
#### Gate post

- 100 x 100 or 140 x 140 mm box section
- On a 250 x 250 mm base plate or extended



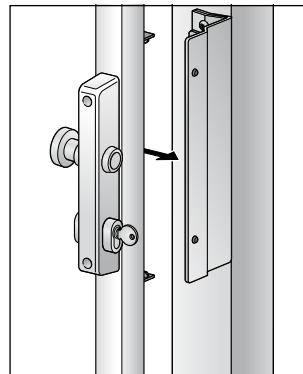
#### Electromechanical or hydraulic swing gate closer

- On a single-leaf swing gate of < 1.5 m wide and > 2.0 m high
- Overhead connection



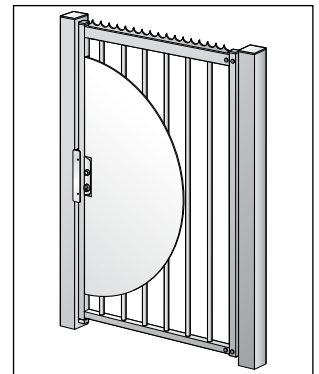
#### Electromechanical or hydraulic swing gate closer

- On a single-leaf swing gate of < 1.5 m wide and < 1.8 m high



#### Electric gate opener

- Steel gate opener cabinet
- Gate opener 12V or 24V



#### Emergency lock on single-leaf swing gate

- Aluminium guard plate
- Door knob



Stop pad



Hinge set



Lock set



Safety nut



Emergency lock

### Strong qualities

- Internal drop bolt with lock.
- Can be opened approx. 180°.
- Euro profile cylinders suited for installing a euro profile cylinder.
- Steel catch plates that engage with each other.
- The hinges are continuously adjustable.
- Unique screened safety nut

### Colour schemes

- Galvanised or coated. Standard coating, available as RAL 6005 (moss green), RAL 6009 (fir green), RAL 6014 (Heras green), RAL 7016 (anthracite grey), RAL 7030 (stone grey), RAL 9005 (black) and RAL 9010 (pure white).
- Other RAL colours are available upon request.
- As the RAL 9006 and RAL 9007 colours come in several variants they are only available - at a surcharge - if the additional 'variant' colour code is stated.

### Coating

Galvanised and aluminium parts are pre-treated before coating. Electrostatic powder-coating is then applied, after which the coated materials are cured in an oven (210 °C) to create a durable coating with an average thickness of 80 µm and a hardness of 80 buchholz.

### Technical specifications

Type	Gate height						Clear width when 180° open	
	1000	1250	1500	1800	2000	2500	Models Atlas Athos Heracles (Pallas)*	Models Pegasus
<b>Single-leaf Euro gate</b>								
*10...	•	•	•	•	•	•	950	1020
*12...	•	•	•	•	•	•	1250	1160
*15...	•	•	•	•	•	•	1550	1440
*20...	•	•	•	•	•	•	2000	2000
*25...	•	•	•	•	•	•	2450	2420
*30...	•	•	•	•	•	•	2900	2980
*35...	•	•	•	•	•	•	3500	3400
*40...	•	•	•	•	•	•	3950	3960
*45...	•	•	•	•	•	•	4400	4520
*50...	•	•	•	•	•	•	5000	4940
<b>Double-leaf Euro gate</b>								
*1010...	•	•	•	•	•	•	1923	2063
*1212...	•	•	•	•	•	•	2523	2343
*1515...	•	•	•	•	•	•	3123	2903
*2020...	•	•	•	•	•	•	4023	4023
*2525...	•	•	•	•	•	•	4923	4863
*3030...	•	•	•	•	•	•	5823	5983
*3535...	•	•	•	•	•	•	7023	6823
*4040...	•	•	•	•	•	•	7923	7943
*4545...	•	•	•	•	•	•	8823	9063
*5050...	•	•	•	•	•	•	10023	9903

Dimensions in mm. Configurations A (Atlas), ATH (Athos), H (Heracles), PAL (Pallas), P (Pegasus)

\* Pallas available up to 2500 mm width

Standard configuration	Options
<ul style="list-style-type: none"> <li>• Euro profile cylinder lock</li> <li>• From 1.5 m high with serrated strip or bevelled bars</li> <li>• Double-leaf gate with a central lock</li> <li>• Open position lock on single- and double-leaf gates with gate widths of 1.5 m or more</li> <li>• Black plastic gate post cover</li> <li>• Gateposts, extended or on a base plate</li> <li>• Heracles, Athos &amp; Atlas: the centre-to-centre distance of the bars is 150 mm</li> <li>• Pegasus: the centre-to-centre distance of the bars is 140 mm</li> </ul>	<ul style="list-style-type: none"> <li>• Euro profile cylinder</li> <li>• Single-leaf gate up to 1.5 m wide with electromechanical or hydraulic swing gate closer</li> <li>• Single-leaf gate up to 1.5 m wide with electric gate opener</li> <li>• Wall hinges</li> <li>• Wall slam set</li> <li>• Emergency lock</li> </ul>

# The Heras Euro gate solution for all grounds.

## Athos



## Heracles



## Pallas



## Pegasus



[www.heras.com](http://www.heras.com)

**Heras B.V.**  
**Heras International**  
Hekdam 1  
NL-5688 JE Oirschot  
The Netherlands

P.O. Box 30  
NL-5688 ZG Oirschot  
The Netherlands

**T** +31 (0)499 55 12 23  
**F** +31 (0)499 55 15 70  
**E** [info@heras.com](mailto:info@heras.com)

Subject to technical changes.  
© Heras 210950