

**Reliable and user-friendly
design**

**Modular construction delivering
proven advantages**

**Optimum anti-intruder and
anti-sabotage protection**



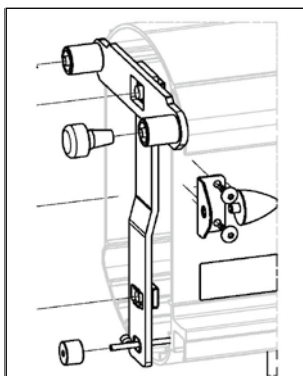
Delta in a Heracles configuration

A prize-winning combination of top design and functional quality

Delta

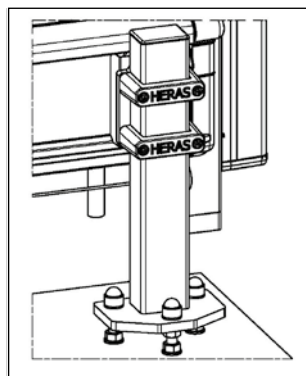
The Heras Delta gate fuses industrial top design with the certainty of functional quality. The cantilever gate has already won the ioN trophy for 'Good Industrial Design' for its design and functionality. One of the best and most attractive products on the market and one which will be a stylish and safe advertisement for your business. Heras delivers three different versions of the Delta gate through designs that seamlessly match the Heracles, Atlas and Pegasus bar fence systems. The basic configuration of the three model lines has an aluminium lower beam and galvanised steel bars while a coated version of the gate is available as standard.





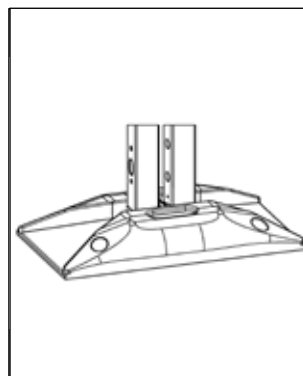
Stretch construction of the beam

- beam: profiled aluminium 205 x 285 mm
- * tensioning wires 2 x Ø 8 mm
- tensioning element: steel, galvanised NEN-EN-ISO 1461



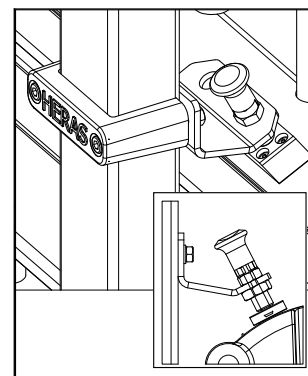
Guiding system

- double nylon road wheels Ø 90 and Ø 70 mm
- dustproof bearings
- aluminium guard around the road wheels
- aluminium wheel brackets, continuously height adjustable
- wheel post 80 x 60 mm



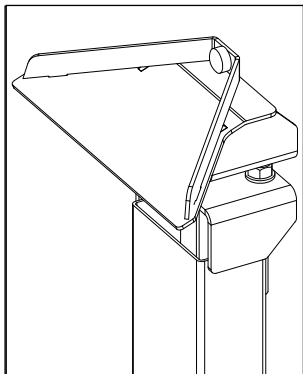
Central slam support for double-leaf gates

- steel prefab foundation, galvanised NEN-EN-ISO 1461
- aluminium slam support panel



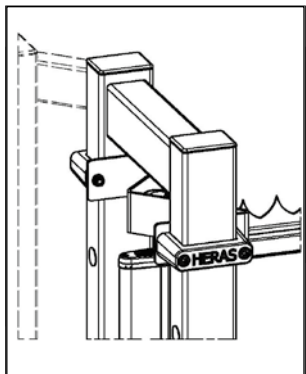
Safety device to prevent the gate being blown shut

- steel closing protector

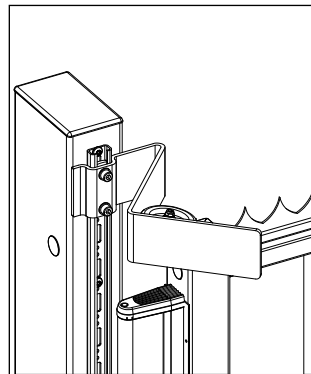


Prefab rear slam support

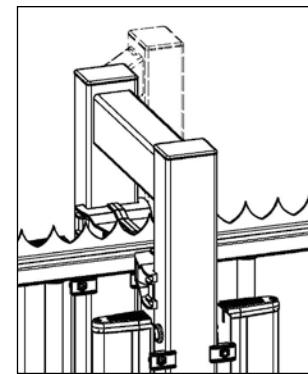
- standard on Delta 70/... and later models
- uprights 80 x 60 mm, galvanised NEN-EN-ISO 1461
- slam support panel, galvanised NEN-EN-ISO 1461



Support at top slam portal



Support at top slam post



Rollerset top rail



Delta inside view



Delta outside view

Technical specifications Single-leaf gate

| Gate type | Gate height | Clear width | Total space required |
|-----------|---|-------------|----------------------|
| Delta 30 | 1.200 / 1.500 / 1.800 / 2.000 / 2.300 / 2.500 | 3105 | 8700 |
| Delta 40 | 1.200 / 1.500 / 1.800 / 2.000 / 2.300 / 2.500 | 4155 | 10800 |
| Delta 50 | 1.200 / 1.500 / 1.800 / 2.000 / 2.300 / 2.500 | 5055 | 13100 |
| Delta 60 | 1.200 / 1.500 / 1.800 / 2.000 / 2.300 / 2.500 | 5955 | 14900 |
| Delta 70 | 1.200 / 1.500 / 1.800 / 2.000 / 2.300 / 2.500 | 7255 | 18000 |
| Delta 85 | 1.200 / 1.500 / 1.800 / 2.000 / 2.300 / 2.500 | 8455 | 20400 |
| Delta 95 | 1.200 / 1.500 / 1.800 / 2.000 | 9355 | 22200 |

Double-leaf gate

| Gate type | Gate height | Clear width | Total space required |
|------------|---|-------------|----------------------|
| Delta 3030 | 1.200 / 1.500 / 1.800 / 2.000 / 2.300 / 2.500 | 6320 | 17255 |
| Delta 4040 | 1.200 / 1.500 / 1.800 / 2.000 / 2.300 / 2.500 | 8420 | 21455 |
| Delta 5050 | 1.200 / 1.500 / 1.800 / 2.000 / 2.300 / 2.500 | 10220 | 26055 |
| Delta 6060 | 1.200 / 1.500 / 1.800 / 2.000 / 2.300 / 2.500 | 12020 | 29655 |
| Delta 7070 | 1.200 / 1.500 / 1.800 / 2.000 / 2.300 / 2.500 | 14620 | 35855 |
| Delta 8585 | 1.200 / 1.500 / 1.800 / 2.000 / 2.300 / 2.500 | 17020 | 40655 |
| Delta 9595 | 1.200 / 1.500 / 1.800 / 2.000 | 18820 | 44255 |

Dimensions are in mm. Electrically driven gates are fitted with anti crushing facilities that decrease the clear width of the gate by a few centimeters.

Strong qualities

- Light-weight, as a result requiring little effort to operate it
- The stretch construction of the beam makes the gate strong and stable
- All critical bolt and nut connections are fully concealed
- Modular construction means that the parts are easy to replace
- Lock with a steel catch plate

Colour schemes

- Galvanised or coated. Standard coating, available as RAL 6005 (moss green), RAL 6009 (fir green), RAL 6014 (Heras green), RAL 7016 (anthracite grey), RAL 7030 (stone grey), RAL 9005 (black) and RAL 9010 (pure white).

- Other colours available upon request
- The RAL 9006 and RAL 9007 colours come in several variants and are only available - at a surcharge - if the specific additional 'variant' colour code is stated

Coating

Galvanised and aluminium parts are pre-treated before coating. An electrostatic powder-coating is then applied, after which the coated materials are cured in an oven (210 °C) to create a durable coating with an average thickness of 80 µm and a hardness of 80 buchholz.

The Delta gate for optimum security

Delta in an Atlas configuration



Delta in a Pegasus configuration



Standard configuration

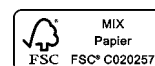
- The Delta is available in the following configurations Heracles, Atlas Pegasus and Grence
- Centre-to-centre distance of bars is 135 or 150 mm
- Facilities to prevent the gate being blown shut and to prevent it from running out of its guide
- Sliding gates of 7 m and more are available with a rear slam support
- Sliding gates are (optional) available with a fence connectingpost
- Single or double-leaf; double-leaf configuration have a central slam support
- All versions are prepared for electric operation

Options

- The gate can be fitted with 1 or 2 rows of rotating dragon-tails with aluminium segments
- The gate can be supplied with coloured stripes; several colours are available
- preassembled



Met de Delta committeert Heras zich aan de inkoop van (deels) gerecycled aluminium. Een initiatief vanuit het Heras Climate Aware programma waarmee we streven naar energie efficiency en CO₂ neutraal opereren.



www.heras.com

Heras B.V.
Heras International
Hekdam 1
NL-5688 JE Oirschot
The Netherlands

P.O. Box 30
NL-5688 ZG Oirschot
The Netherlands

T +31 (0)499 55 15 23
F +31 (0)499 55 15 70
E info@heras.com