

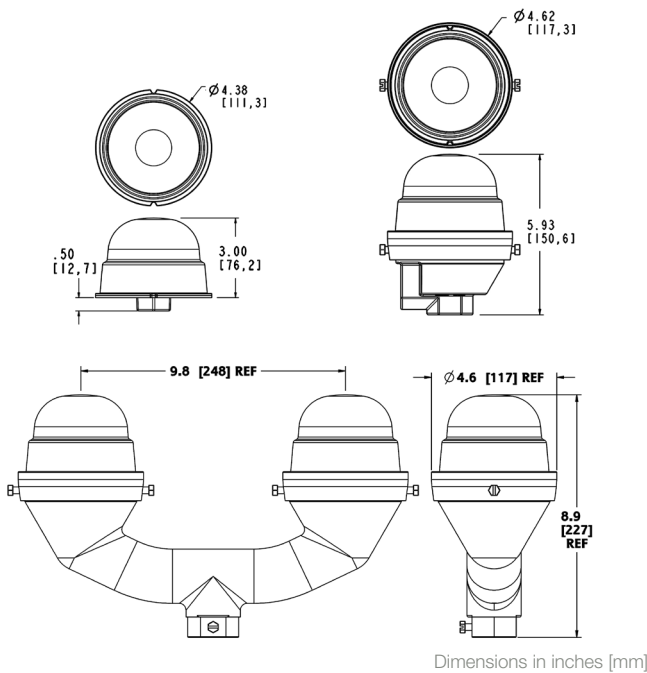
L-810 Red LED Side Lights

Class I, Div. 2



Certifications & Compliance

- Class I, Div 2 Groups B, C, D
- UL 1598
- UL 844
- IP66
- T3C temperature rating
- NEMA 4X copper free aluminum enclosure



Mechanical / Electrical Information:

Unit weight: 1.25 lbs (0.56 kg) (retro unit)
2.00 lbs (0.91 kg) (single unit)
4.60 lbs (2.09 kg) (dual unit)

Operating voltage: 48V DC (through Dialight Controller) or
120 - 480V AC

Operating temperature: -40°F to +131°F (-40°C to +55°C)

All values typical unless otherwise stated (tolerance +/- 10%)

US Patents #6,425,678

Part Number	Description	Description
For use with L-864 / L-865 Controller		
RTO - ER08 - 001	Single light - 3.5W (for use with L-864/L-865 systems)	12-48V DC
RTO - ER08 - 002	Dual light - 7W (for use with L-864/L-865 systems)	12-48V DC
For use with L-864 Controller		
RTO - 2R07 - 001	Single light - 6.5W (for use with L-864/L-865 systems)	120 - 240V AC
RTO - 2R07 - 002	Dual light - 13W (for use with L-864/L-865 systems)	120 - 240V AC