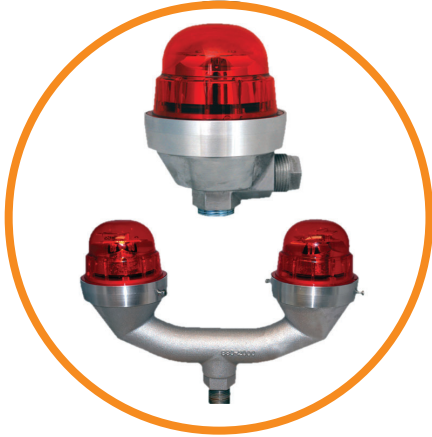


LED Marker

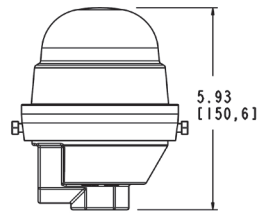
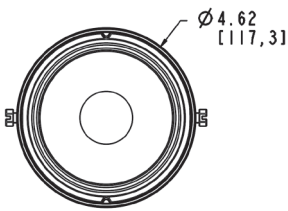
Low Intensity (Red)



Certifications & Ratings

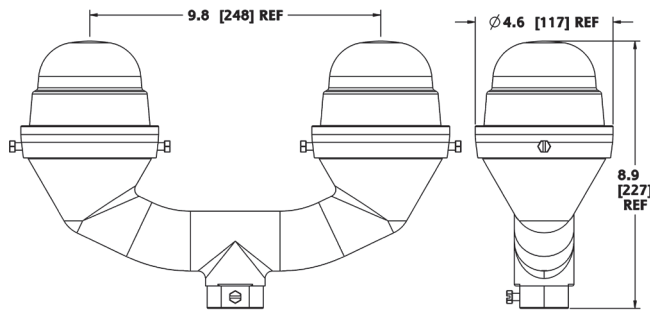
- 5 year warranty
- FAA AC 150/5345-43H
- FAA AC 70/7460-1L
- FAA Engineering Brief 67D
- ICAO Annex 14
- Transport Canada CAR 621.19
- CE

Single Fixture



Dimensions in inches [mm]

Dual Fixture



Dimensions in inches [mm]

FAA L-810 / ICAO Low Type B+E

Mechanical Information:

Weight:	Single unit - 2.00 lbs (0.91 kg) Dual unit - 4.60 lbs (2.09 kg)
Mounting Details:	NPT 3/4" and 1" NPT
Impact Rating:	IK10
Protection Rating:	IP66
Included Hardware:	1" NPT plug
Cable Entry Size:	NPT 3/4" and 1" NPT
Aerodynamic Wind Area:	0.15 ft ²

Electrical Specifications:

Operating Temperature: -40°F to +131°F (-40°C to +55°C)

Power Factor: > 0.9

Power Consumption:

Standard

Single & Dual Units - 1.5W nominal (DC version)
6.5W nominal (AC version)

IR Models

Single & Dual Units - 5.0 W (DC version)
5.5 W (AC version)

Input Current: 120-240 VAC, 50/60 Hz (55mA nominal)
12-48 VDC (63mA nominal)

Photometric Information:

Flash Intensity (nominal):

Night (Red): 32 cd
IR Wavelength: peak @ 850nm

Flash Rate:*

Night (Red) 20/30/40 flashes per min
IR Pulse Rate 20/30/40 flashes per min

Expected Lamp Life 100,000 hours (approx. 10 years)

*Can also operate as steady burn

All values typical unless otherwise stated (tolerance +/- 10%)