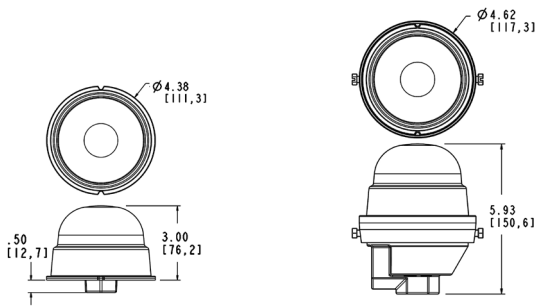
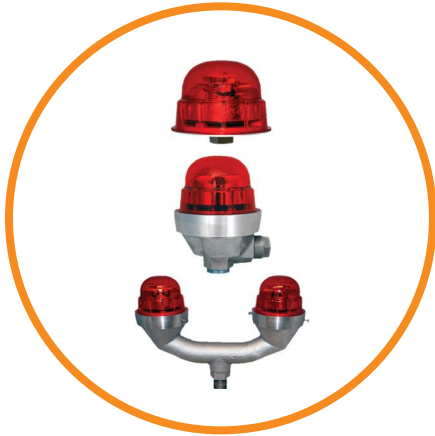


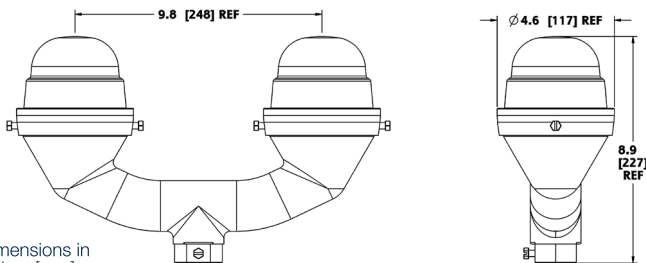
# Vigilant® LED Based L-810

## Low Intensity (Red) RTO Side Marker with Infrared (IR)



Retro-fit Unit

Single Fixture



Dimensions in inches [mm]

Dual Fixture

### Certifications & Compliance

- FAA AC 150/5345 - 43J
- FAA EB No. 67D and 98
- IP66
- Transport Canada Standard 621
- ICAO Annex 14
- NEMA 4X

### Features & Benefits

- 5 Year Warranty
- ETL verified to FAA standards
- IR wavelength at 850 nm
- Superior surge and lightning protection
- Controllers available for all applications
- Compact, low power design
- Ideal for towers, stacks, wind turbines, buildings, etc.
- 360 degree coverage for each flash head
- Shock and vibration resistant
- Lighting kits available for standard towers

### Technical Information:

<b>Unit weight:</b>	1.25 lbs (0.56 kg) (Retro unit) 2.00 lbs (0.91 kg) (Single unit) 4.60 lbs (2.09 kg) (Dual unit)
<b>Supply voltage ranges:</b>	Nominal ±10%
<b>Effective intensity:</b>	Red - 32 cd IR - 4 mW/sr
<b>Wattage:</b>	RTOCR27 (AC) = 6w steady burn RTOCR28 (DC) = 5.2w steady burn.
<b>Power factor:</b>	> 0.9 (All AC units)
<b>Operating temperature:</b>	-40 °F to +131 °F (-40 °C to +55 °C)
<b>Input AC frequency:</b>	50/60 Hz
All values typical unless otherwise stated (tolerance ± 10%)	

US Patent #7,604,384 | # 9,423,086 | #9.423,086

Part Number	Description	Voltage	Certification / Compliance	Wattage
RTOCR27001	Single Fixture Red/Infrared (IR)	120-240 VAC	FAA / TC, ICAO	6.0
RTOCR28001	Single Fixture Red/Infrared (IR)	24-48 VDC	FAA / TC, ICAO	5.2
RTOCR27002	Dual Fixture Red/Infrared (IR)	120-240 VAC	FAA / TC, ICAO	12.0
	Dual Fixture Red/Infrared (IR)	24-48 VDC	FAA / TC, ICAO	10.4
	Single Side Marker Retro-fit Fixture Red/Infrared (IR)	120-240 VAC	FAA / TC, ICAO	6.0
RTOCR28004	Single Side Marker Retro-fit Fixture Red/Infrared (IR)	24-48 VDC	FAA / TC, ICAO	5.2