

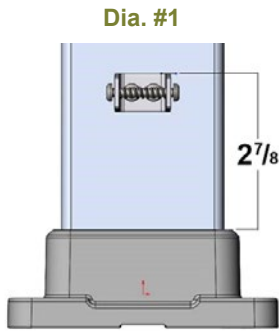
FOR OTHER INSTRUCTIONS  
AND VIDEOS, VISIT  
**WWW.HARMONYRAILING.COM**

**STEP ONE – Determine necessary posts required and prepare (end, center or corner)**

**Install Lower Deck Rail Clips – Two Options:**

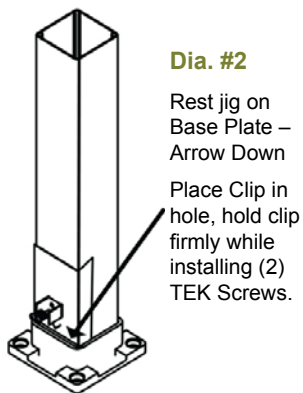
**Option A - When No Lower Rail Clip Jig Is Available**

- Measure 2 7/8" from top of casting shoulder and place a pencil mark for location of the top edge of the rail clip. (Dia. #1)
- Center clip on post and secure with (2) - #8x3/4" TEK screws.



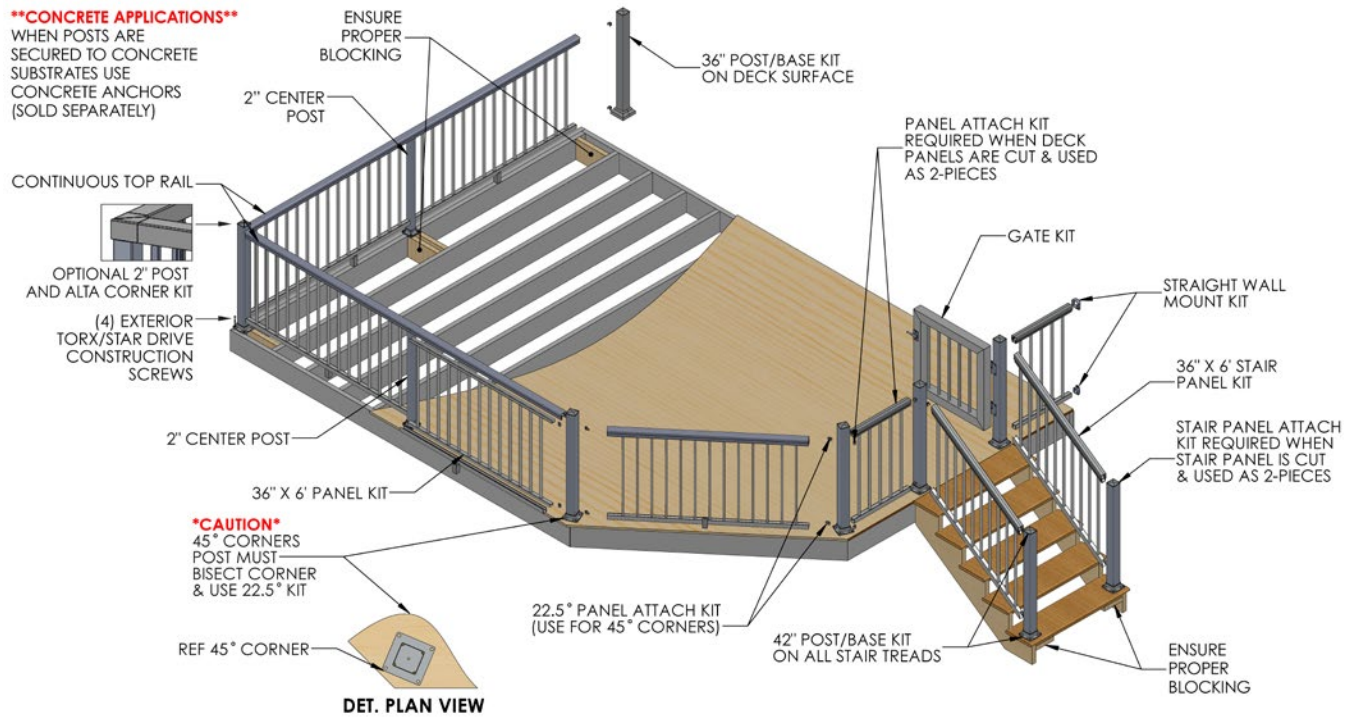
**Option B - Using Lower Rail Clip Jig**

- Place lower rail clip jig (w/arrow facing base plate) on top of base plate upper edge. (Dia. #2)
- Place clip in hole and fasten with (2) - #8x3/4" TEK screws.



**\*\*CONCRETE APPLICATIONS\*\***

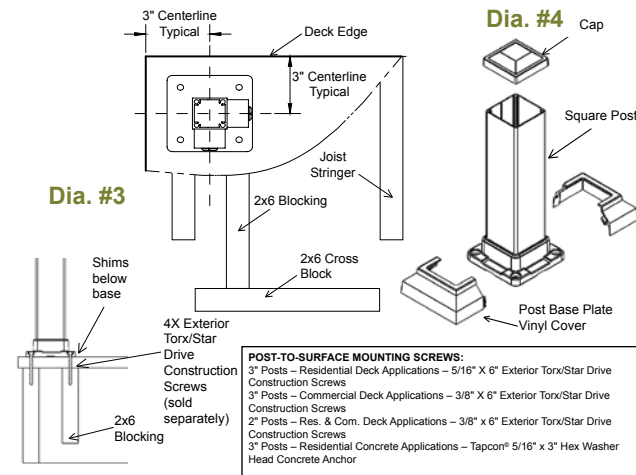
WHEN POSTS ARE SECURED TO CONCRETE SUBSTRATES USE CONCRETE ANCHORS (SOLD SEPARATELY)



**STEP TWO - Securing Posts to Deck**

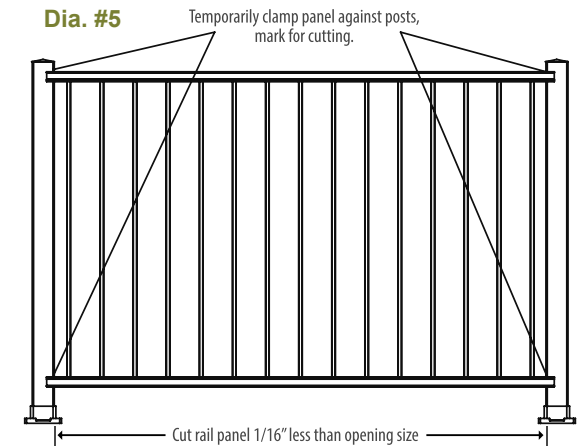
Install proper post blocking as per (Dia. #3). Use proper attachment screws or anchors as directed below. (Deck screws at each post location, are not provided with kits).

- With 3/16" drill bit, pre-drill through deck boards and into blocking.
- Level and plumb post using shims.
- Secure posts to deck with suggested screws.
- Install post cap and post base vinyl plate cover. (Dia. #4)



**STEP THREE - Cut Deck Panels**

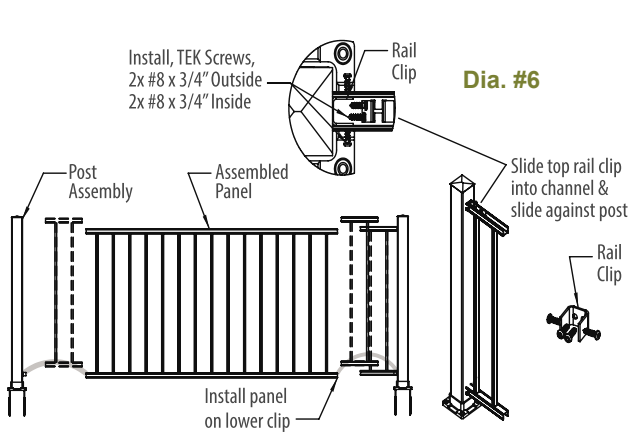
- Clamp or hold panel against post, adjust for equal end spacing. (Dia. #5)
- Mark the top and bottom rails.
- Cut panel 1/16" less than opening size.
- Clean cut areas and apply touch-up paint on exposed ends.



**POST-TO-SURFACE MOUNTING SCREWS:**  
 3" Posts – Residential Deck Applications – 5/16" X 6" Exterior Torx/Star Drive Construction Screws  
 3" Posts – Commercial Deck Applications – 3/8" X 6" Exterior Torx/Star Drive Construction Screws  
 2" Posts – Res. & Com. Deck Applications – 3/8" X 6" Exterior Torx/Star Drive Construction Screws  
 3" Posts – Residential Concrete Applications – Tapcon® 5/16" X 3" Hex Washer Head Concrete Anchor

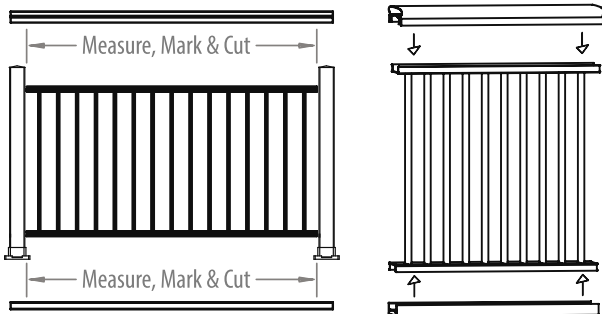
## STEP FOUR - Secure Deck Panels to Posts

- Slide bottom channel of pre-cut panel on to lower clip. (Dia. #6)
- Insert clips into top channel of panel on each end.
- Using (4) - #8x3/4" TEK screws, attach the upper 2-clips to the post.
- Using (8) - #8x3/4" TEK screws, secure the upper and lower clips to the panel.



## STEP FIVE - Cut and Install Top and Bottom Rail Snaps

- Measure between posts at the top and bottom. (Dia.#7)
- For Continuous Top Rail, measure opening from 3" post to 3" post.
- Cut top & bottom snap covers 1/16" less than opening.
- Clean cut areas and apply touch-up paint on all exposed metal.
- Snap each rail snap over the corresponding rail channel until properly seated. (Dia. #8) **TIP:** If snap will not seat, try installing support leg. Then apply pressure to snap starting from one end.

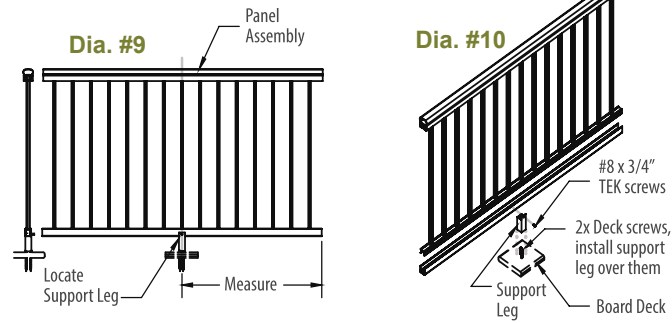


Dia. #7

Dia. #8

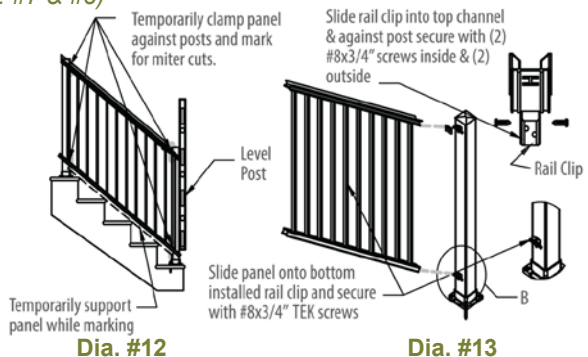
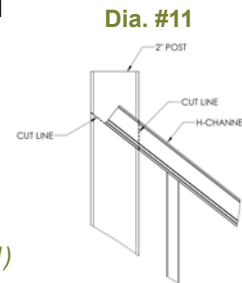
## STEP SIX - Install Support Legs

- For openings greater than 4', install support legs under center of bottom rail (Dia. #9)
- Slide support leg under bottom rail and mark.
- Install two deck screws at location of support leg, install support leg over screws.
- Using (1) - #8x3/4" TEK screws, secure the support leg to bottom rail. (Dia. #10)



## STEP SEVEN - Install Stair Panels

- Hold or temporarily clamp stair panel against posts and adjust for equal end spacing (Dia. #12)
- Mark the panel at 4 locations of post connection.
- If using a continuous top rail, also mark cut lines on the 2 inch post using the bottom of the H-channel to find your angle for post cut. (Dia. #11)
- Miter cut panel at marked locations and place panel in opening. Cut rail 1/16" less than opening.
- Mark posts for location of bottom rail clips.
- Remove panel and install lower clips. (Dia. #13)
- Clean cut areas & apply touch-up paint on exposed metal.
- Place cut panel between posts, push rail onto bottom clips, place clips into upper channel, attach clips to post and secure panel to all clips as per Step 4. (Dia. #6)
- Miter cut and install top and bottom rails as per Step 5. (Dia. #7 & #8)



Dia. #12

Dia. #13



# INSTALLATION INSTRUCTIONS

FOR OTHER INSTRUCTIONS AND VIDEOS, VISIT  
[WWW.HARMONYRAILING.COM](http://WWW.HARMONYRAILING.COM).

## PICKET RAILING INSTALLATION

### SUGGESTED TOOLS:

Cordless Drill	Level
Pencil	Tape Measure
Safety Glasses	6" #2 Sq. Drive Bit
Miter Saw W/Non-Ferrous Blade	3/16" Drill Bit

### IMPORTANT NOTES:

- Actual picket panel sizes: 6" Panels = 69.43"; 8" Panels = 91.31".
- 3" posts are required to reach 6' & 8' lengths.
- MAXIMUM POST SPANS ON STAIR RAILING APPLICATIONS IS 70" ON CENTER.
- Stair railing panels are shipped at a 37° angle. Panels are adjustable and will accommodate 30-40° stair angles. **CAUTION:** Over adjusting stair panels will cause loose and rattling pickets.
- 45° deck angles require 22.5° clips applied to each side of the post. The 22.5° clip kit is sold **SEPARATELY**.
- Using 2 Posts at top of stairs is recommended if compound angle cut is required.

**NOTE: IF INSTALLING POST LIGHTING, WIRING MUST BE INSTALLED PRIOR TO SECURING POSTS TO DECK/STAIR SURFACE AND INSTALL IN TOP RAIL SNAPS.**

It is the responsibility of the installer to meet all local code requirements and obtain all required building permits. The installer should determine and implement appropriate installation techniques for each installation situation. Harmony Railing™ or its reseller shall not be held responsible for improper or unsafe installations.