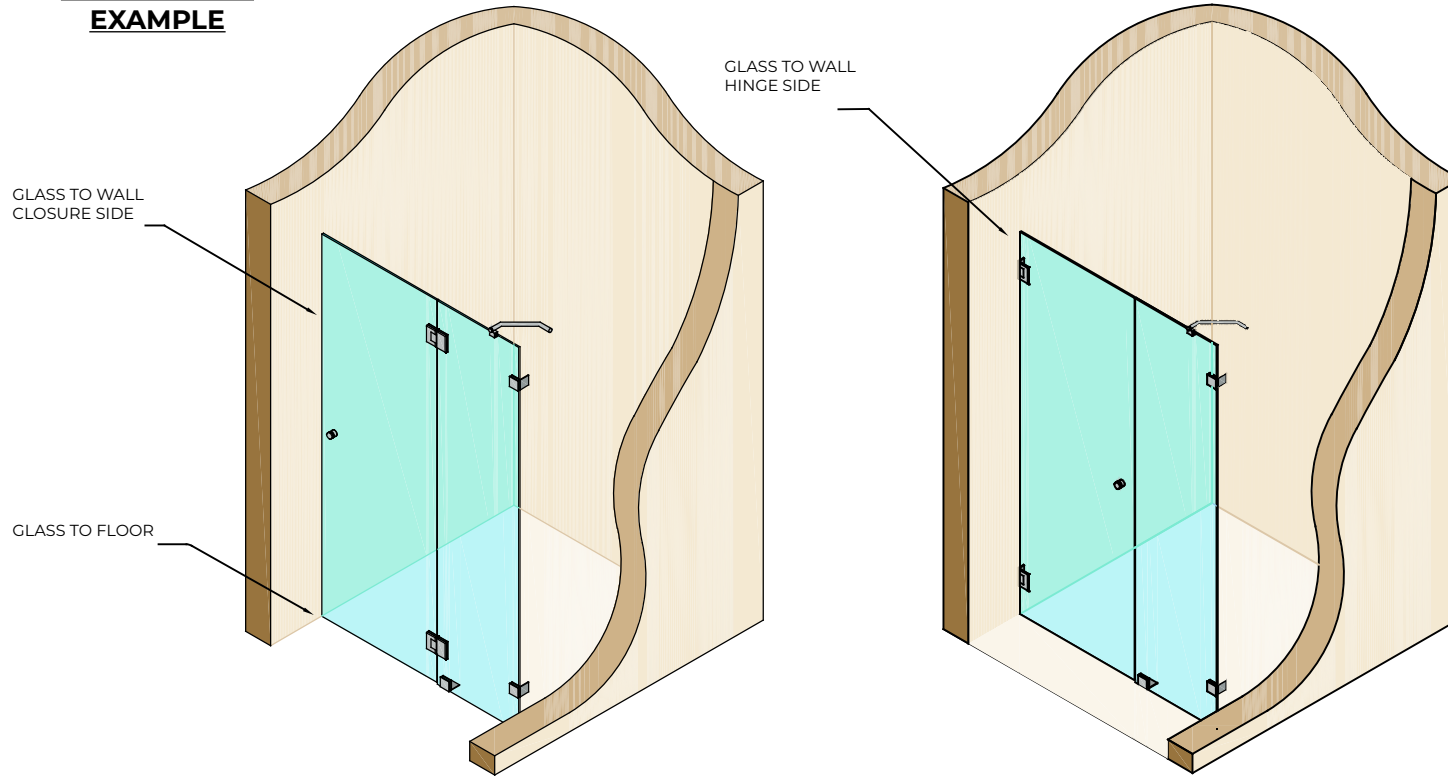


**APPLICATION  
EXAMPLE**



**Express Glass Warehouse**  
**51-55 Fowler Road,**  
**Hainault, Essex**  
**IG6 3UT**

Tel: +44 (0)20 8500 1188  
 Fax: +44 (0)20 8500 1010  
 Email: info@egw.co.uk  
 Website: www.egw.co.uk

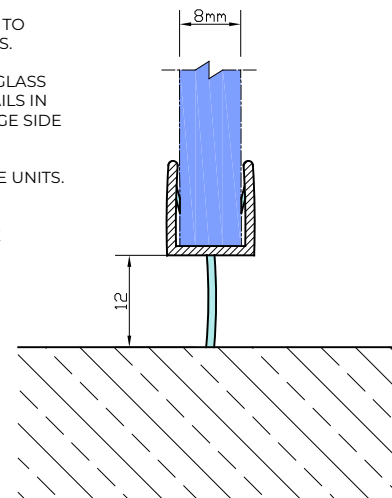
Copyright (C) - October 2020, All Rights Reserved

**NOTES/SPECIFICATION:**

GLAZING SEALS SUPPLIED IN TRANSLUCENT PVC PROFILES.  
 GLAZING SEAL SUITABLE FOR 8MM GLASS PANES  
 PLEASE NOTE THE REQUIRED GLASS REDUCTION ALONG THE ASSOCIATED SEAL DETAIL

**END VIEW  
ON SEAL**

SEAL SUITABLE FOR GLASS TO FLOOR MOVEMENT DETAILS.  
 SEAL ALSO SUITABLE FOR GLASS TO WALL MOVEMENT DETAILS IN BOTH DIRECTIONS ON HINGE SIDE AND CLOSURE SIDE.  
 SEALS PROVIDED IN SINGLE UNITS.  
 (10MM GLASS REDUCTION REQUIRED FROM SURFACE 12MM FIN LENGTH)



<b>PRODUCT REF:</b>	<b>SH/GGA/S06</b>
<b>DESCRIPTION:</b>	DIMENSIONED ELEVATIONS AND PRODUCT DETAILS
<b>DRAWING REF:</b>	<b>SH/GGA/S06 - 001C</b>