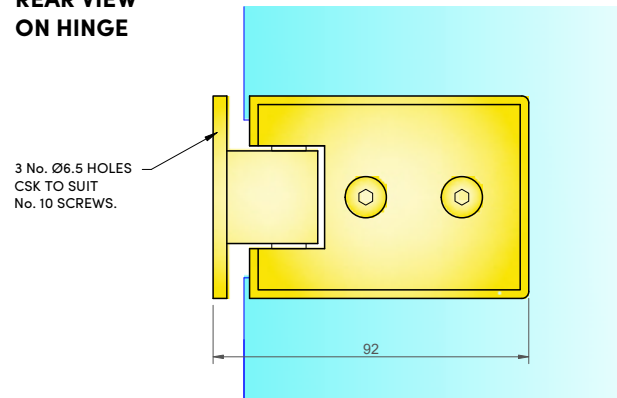


Express Glass Warehouse
 51-55 Fowler Road,
 Hainault, Essex
 IG6 3UT

Tel: +44 (0)20 8500 1188
 Fax: +44 (0)20 8500 1010
 Email: info@egw.co.uk
 Website: www.egw.co.uk

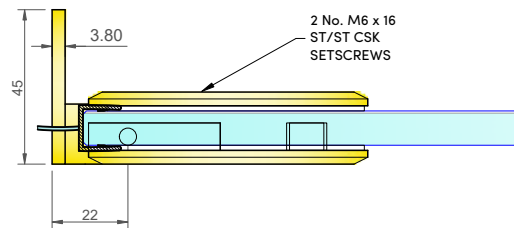
Copyright (C) - October 2020, All Rights Reserved

**REAR VIEW
ON HINGE**

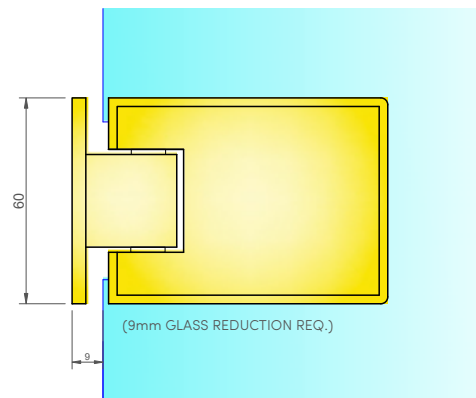


**PLAN VIEW
ON HINGE**

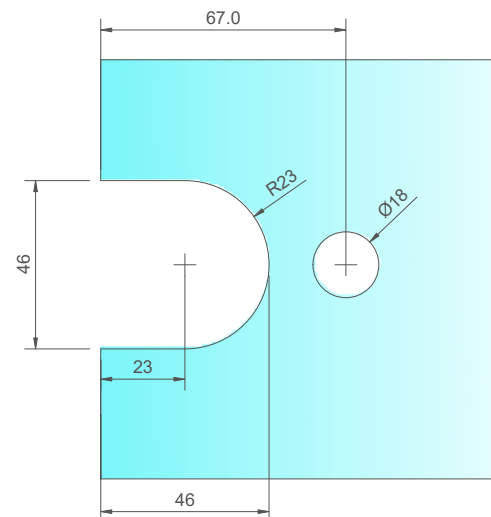
Seal shown is SH/GGA/S06(/10), sold separately.



**FRONT VIEW
ON HINGE**



**REQUIRED
GLASS PREP**



NOTES/SPECIFICATION:

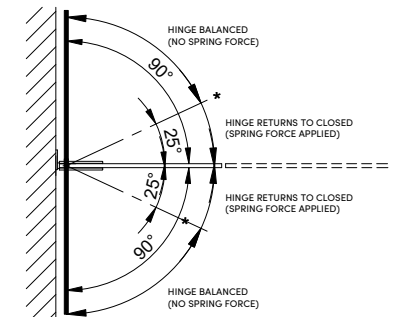
ALL HINGE COMPONENTS IN POLISHED BRASS

PRODUCT SUITABLE FOR 8MM TOUGHENED GLASS

HINGE SUPPLIED COMPLETE WITH:-

- 1) 2 NO. X 1.4MM TRANSLUCENT RUBBER GLAZING WASHERS.
- 2) 2 NO. M6 BRASS PLATED STAINLESS STEEL SOCKET HEAD CSK SETSCREWS

(NOTE CUSTOMER TO PROVIDE WALL FIXINGS TO SUIT APPLICATION AND STRUCTURAL REQUIREMENT)



PRODUCT REF:	SH/APH/H04/PB
DESCRIPTION:	DIMENSIONED ELEVATIONS AND GLASS PREP DETAILS
DRAWING REF:	SH/APH/H04/PB