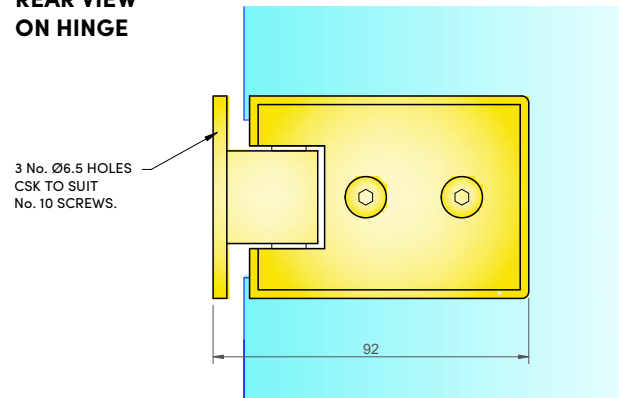
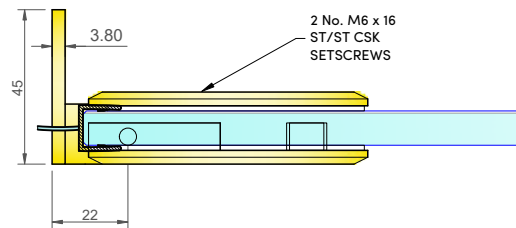


**REAR VIEW ON HINGE**

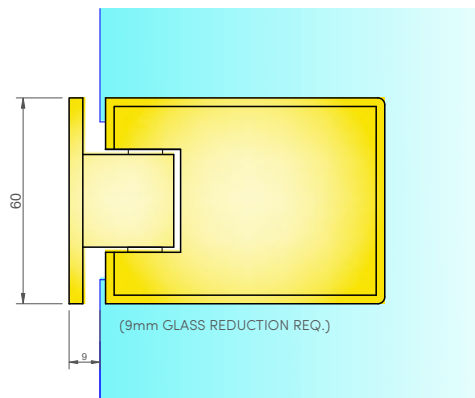


**PLAN VIEW ON HINGE**

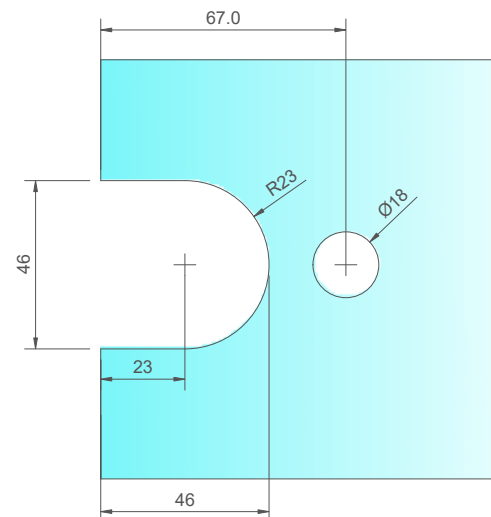
Seal shown is SH/GGA/S06(/10), sold separately.



**FRONT VIEW ON HINGE**



**REQUIRED GLASS PREP**



**NOTES/SPECIFICATION:**

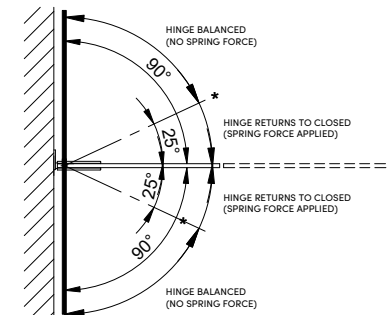
ALL HINGE COMPONENTS IN MATT BLACK

PRODUCT SUITABLE FOR 8MM TOUGHENED GLASS

HINGE SUPPLIED COMPLETE WITH:-

- 1) 2 NO. X 1.4MM TRANSLUCENT RUBBER GLAZING WASHERS.
- 2) 2 NO. M6 BRASS PLATED STAINLESS STEEL SOCKET HEAD CSK SETSCREWS

(NOTE CUSTOMER TO PROVIDE WALL FIXINGS TO SUIT APPLICATION AND STRUCTURAL REQUIREMENT)



<b>PRODUCT REF:</b>	SH/APH/H04/MB
<b>DESCRIPTION:</b>	DIMENSIONED ELEVATIONS AND GLASS PREP DETAILS
<b>DRAWING REF:</b>	SH/APH/H04/MB