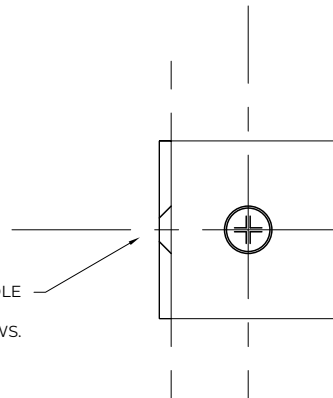
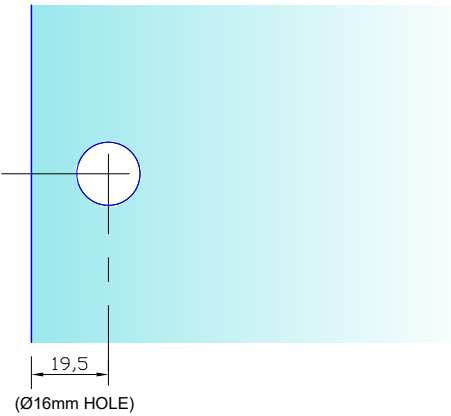


**REAR VIEW
ON FITTING**

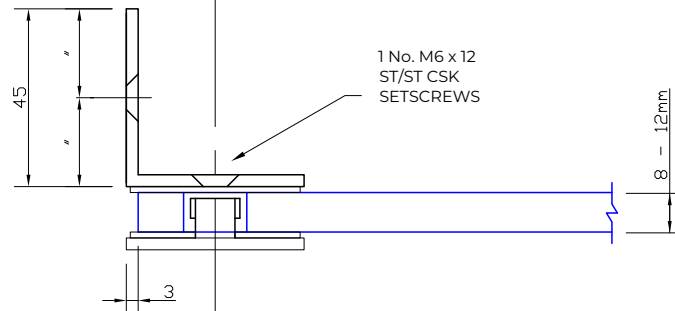
1 No. Ø5.5 HOLE
CSK TO SUIT
No. 10 SCREWS.



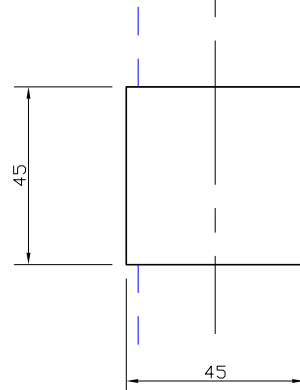
**REQUIRED
GLASS PREP**



**PLAN VIEW
ON FITTING**



**FRONT VIEW
ON FITTING**



(3mm GLASS REDUCTION REQ.)



Express Glass Warehouse
51-55 Fowler Road,
Hainault, Essex
IG6 3UT

Tel: +44 (0)20 8500 1188
Fax: +44 (0)20 8500 1010
Email: info@egw.co.uk
Website: www.egw.co.uk

Copyright (C) - October 2020, All Rights Reserved

NOTES/SPECIFICATION:

- ALL FITTING COMPONENTS IN SATIN STAINLESS STEEL.
- PRODUCT SUITABLE FOR 8 TO 10mm TOUGHENED GLASS PANES.
- FITTING SUPPLIED COMPLETE WITH:-
- 1) 2 No. x 1.25mm TRANSLUCENT RUBBER GLAZING WASHERS.
 - 2) 1 No. M6 x 12mm ST/ST POSI-DRIVE HEAD CSK SETSCREWS.
 - 3) 1 No. 10 x 40mm POSI DRIVE SCREW AND PLASTIC PLUG
- (NOTE CUSTOMER TO PROVIDE ALTERNATIVE FIXINGS WHERE REQUIRED)

PRODUCT REF:	SH/PAS/B01
DESCRIPTION:	DIMENSIONED ELEVATIONS AND REQUIRED GLASS PREP DETAIL
DRAWING REF:	SH/PAS/B01 - 001B