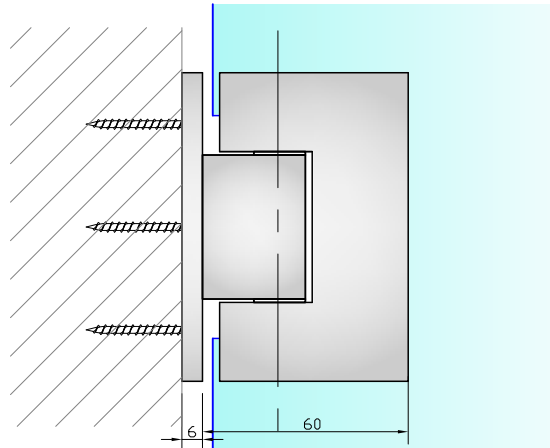
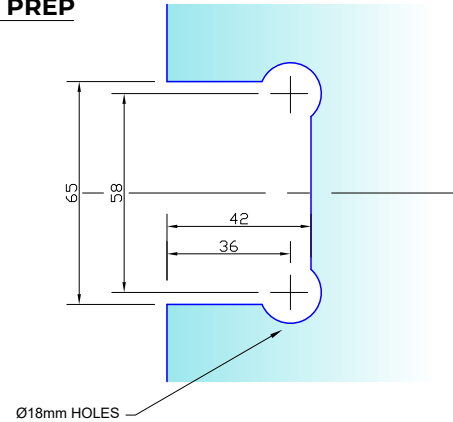


**REAR VIEW  
ON HINGE**

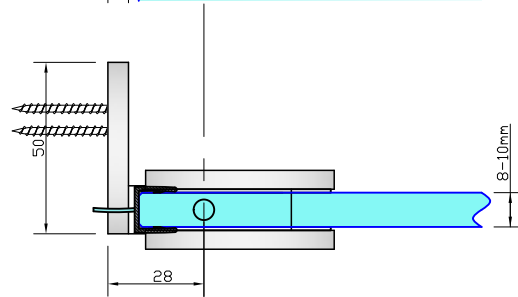


**REQUIRED  
GLASS PREP**

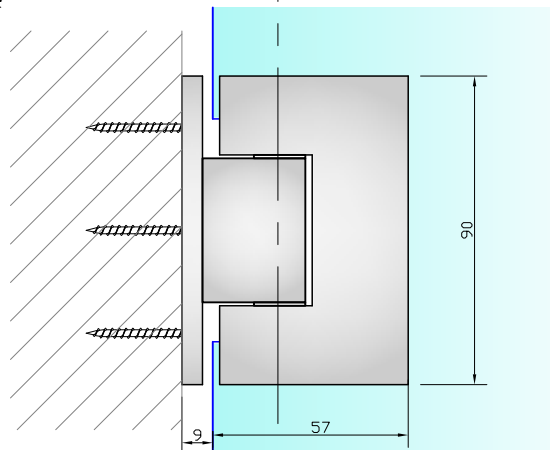


**PLAN VIEW  
ON HINGE**

Seal shown is SH/GGA/S06 (f10)



**FRONT VIEW  
ON HINGE**



(9mm GLASS REDUCTION REQ.)

**Express Glass Warehouse**  
51-55 Fowler Road,  
Hainault, Essex  
IG6 3UT

Tel: +44 (0)20 8500 1188  
Fax: +44 (0)20 8500 1010  
Email: info@egw.co.uk  
Website: www.egw.co.uk

Copyright (C) - October 2020, All Rights Reserved

**NOTES/SPECIFICATION:**

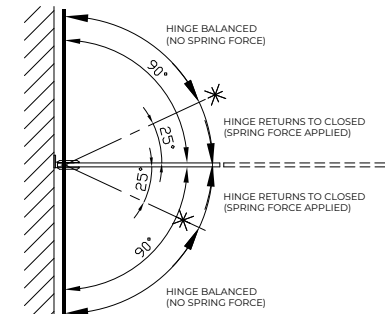
ALL HINGE COMPONENTS IN CHROME PLATED BRASS.

PRODUCT SUITABLE FOR 8 TO 10mm TOUGHENED GLASS PANES.

FITTING SUPPLIED COMPLETE WITH:-

- 1) 2 No. x 1.9mm TRANSLUCENT PVC GASKETS.
- 2) 2 No. x 1.0mm TRANSLUCENT PVC GASKETS.
- 3) 2 No. M6 x 14mm ST/ST HEX SOCKET HEAD CSK SETSCREWS
- 4) 3 No. 10 x 50mm SCREWS AND PLASTIC PLUGS

(NOTE CUSTOMER TO PROVIDE ALTERNATIVE FIXINGS WHERE REQUIRED) - SEE PAGE 2 FOR VIEW OF HINGE BACKPLATE



**PRODUCT REF: SH/NKE/H01**

**DESCRIPTION:** DIMENSIONED ELEVATIONS AND REQUIRED GLASS PREP DETAIL

**DRAWING REF: SH/NKE/H01 - 001C**



EXPRESS GLASS WAREHOUSE

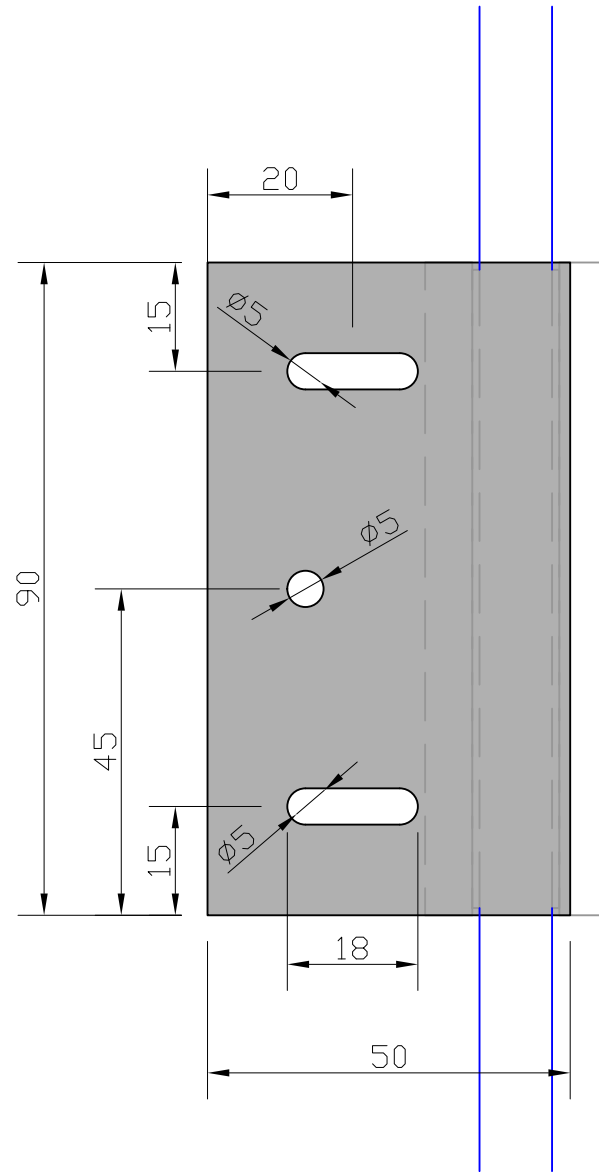
Express Glass Warehouse  
51-55 Fowler Road,  
Hainault, Essex  
IG6 3UT

Tel: +44 (0)20 8500 1188  
Fax: +44 (0)20 8500 1010  
Email: info@egw.co.uk  
Website: www.egw.co.uk

Copyright (C) - October 2020, All Rights Reserved

## REAR VIEW ON BACKPLATE

HORIZONTAL SLOTS PROVIDE ADDITIONAL  
TOLERANCE WHEN FITTING



### NOTES/SPECIFICATION:

<b>PRODUCT REF:</b>	<b>SH/NKE/H01</b>
<b>DESCRIPTION:</b>	DIMENSIONED ELEVATIONS AND REQUIRED GLASS PREP DETAIL * AB - 09/02/18
<b>DRAWING REF:</b>	<b>SH/NKE/H01 - 001C</b>