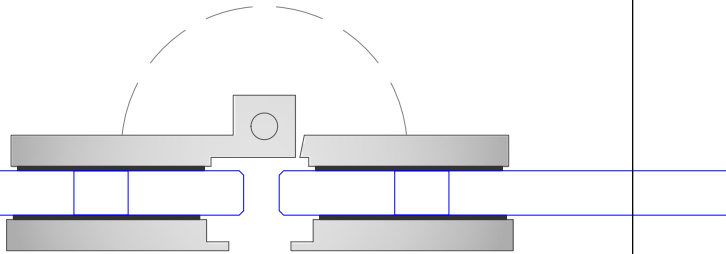
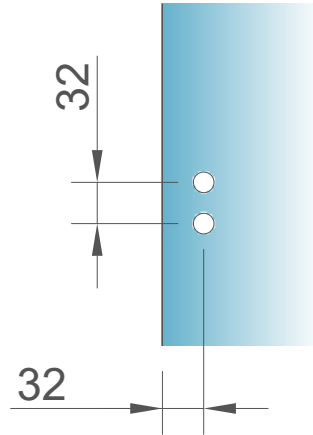
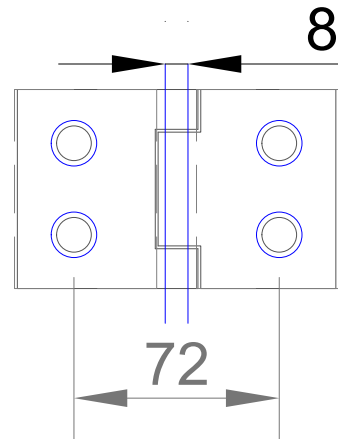
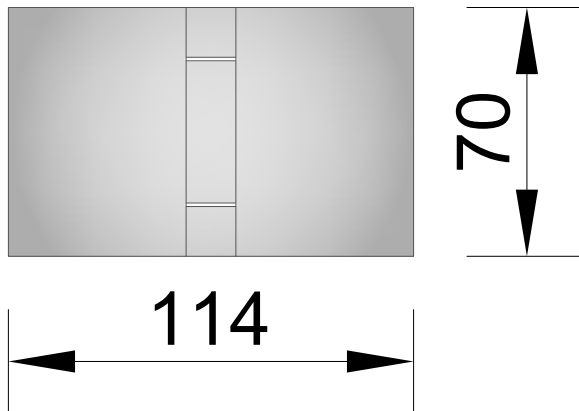


**GLASS PREP**  
 Ø16mm HOLES



8mm GLASS TO GLASS GAP  
 TYPICAL SEAL SH/GGA/S16 (\_10)



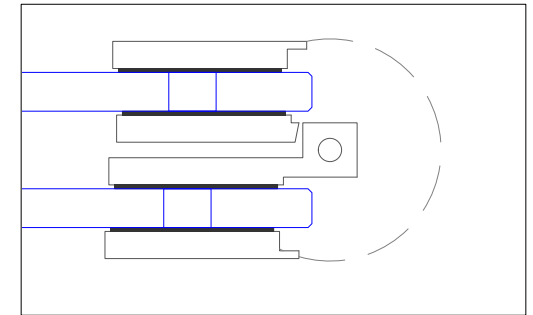
**Express Glass Warehouse**  
 51-55 Fowler Road,  
 Hainault, Essex  
 IG6 3UT

Tel: +44 (0)20 8500 1188  
 Fax: +44 (0)20 8500 1010  
 Email: info@egw.co.uk  
 Website: www.egw.co.uk

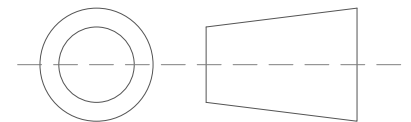
Copyright (C) - October 2020, All Rights Reserved

**NOTES/SPECIFICATION:**

- ALL VISIBLE COMPONENTS IN SATIN NICKEL PLATED BRASS.
- PRODUCT SUITABLE FOR 8 TO 10mm TOUGHENED GLASS PANES.
- HINGE SUPPLIED COMPLETE WITH COVERS AND GASKETS.
- (NOTE CUSTOMER TO PROVIDE ALTERNATIVE FIXINGS WHERE REQUIRED)



**3rd Angle Projection**



<b>PRODUCT REF:</b>	<b>SH/NKE/5202/S</b>
<b>DESCRIPTION:</b>	DIMENSIONED ELEVATIONS AND GLASS PREP DETAILS
<b>DRAWING REF:</b>	<b>SH/NKE/5202/S - 001</b>