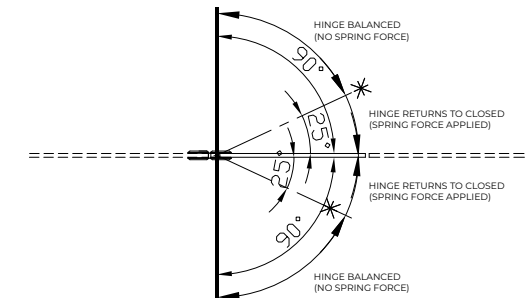


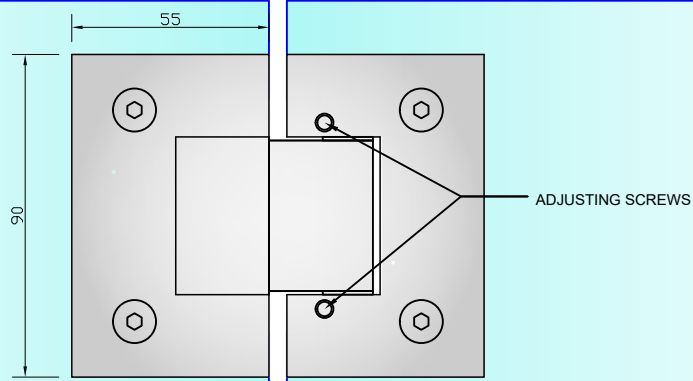
NOTES/SPECIFICATION:

- ALL VISIBLE COMPONENTS IN CHROME PLATED BRASS
- PRODUCT SUITABLE FOR 8 TO 10mm TOUGHENED GLASS PANES
- HINGE SUPPLIED COMPLETE WITH:-
- 1) 4no 1.3mm & 4no 0.9mm BLACK RUBBER RUBBER GASKETS
 - 2) 4no M6 x 16mm C/SUNK CLAMPING SCREWS
- (NOTE CUSTOMER TO PROVIDE ALTERNATIVE FIXINGS WHERE REQUIRED)



PRODUCT REF:	SH/NKE/4273
DESCRIPTION:	DIMENSIONED ELEVATIONS AND GLASS PREP DETAILS
DRAWING REF:	SH/NKE/4273 - 001

**REAR VIEW
ON HINGE**



**PLAN VIEW
ON HINGE**

Seal shown is SH/GGA/S16 (1/10)

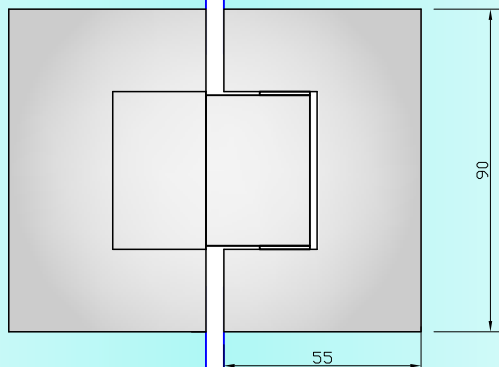
2 No. M6 x 14
ST/ST CSK
SETSCREWS

8 - 10mm

5
(5mm GLASS GAP REQ.)

115

**FRONT VIEW
ON HINGE**



**REQUIRED
GLASS PREP**

