

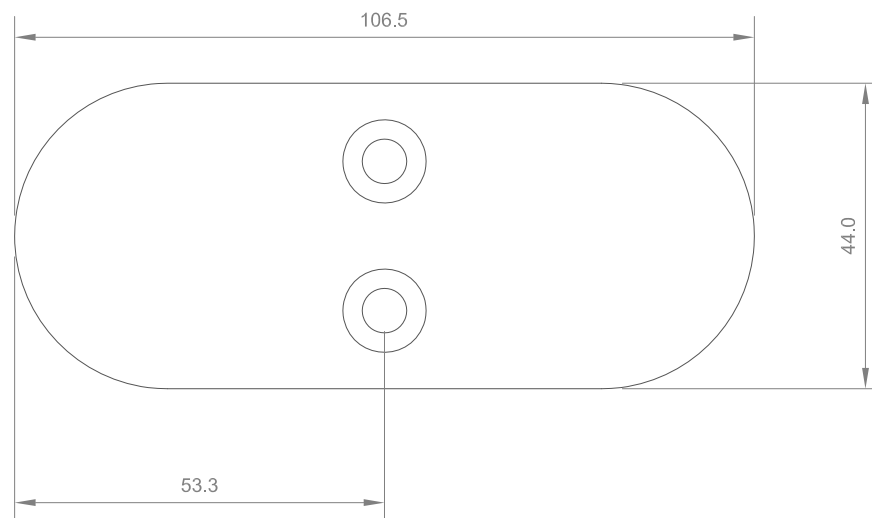
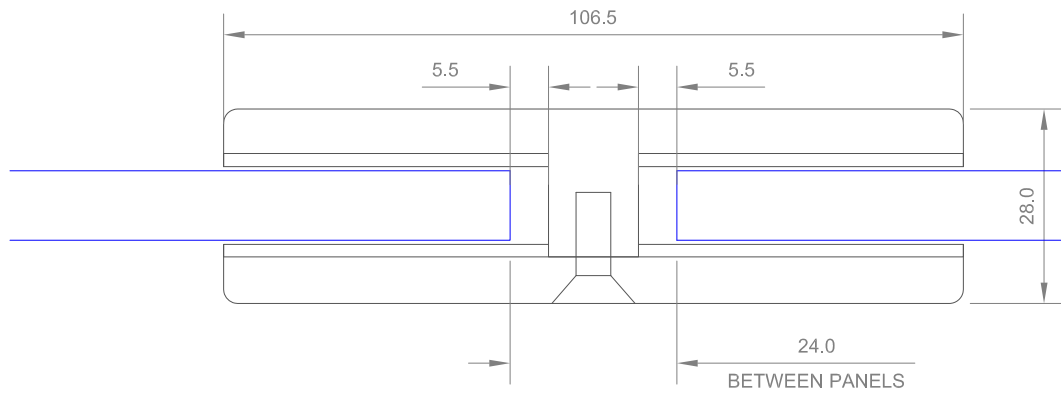


EXPRESS GLASS WAREHOUSE

Express Glass Warehouse
51-55 Fowler Road,
Hainault, Essex
IG6 3UT

Tel: +44 (0)20 8500 1188
Fax: +44 (0)20 8500 1010
Email: info@egw.co.uk
Website: www.egw.co.uk

Copyright (C) - October 2020, All Rights Reserved



NOTES/SPECIFICATION:

ALL FITTING COMPONENTS IN GRADE 316 BRUSHED STAINLESS STEEL.

PRODUCT SUITABLE FOR 10mm TOUGHENED GLASS PANES

FITTING SUPPLIED COMPLETE WITH:-

- 1) 4 No. BLACK RUBBER WASHERS TO SUIT SPECIFIED GLASS
- 2) 2 No. M6 X 16mm HEX SOCKET HEAD CSK SET SCREWS

PRODUCT REF: SH/ATB/B/D/180

DESCRIPTION:

DRAWING REF: SH/ATB/B/D/180 - 001