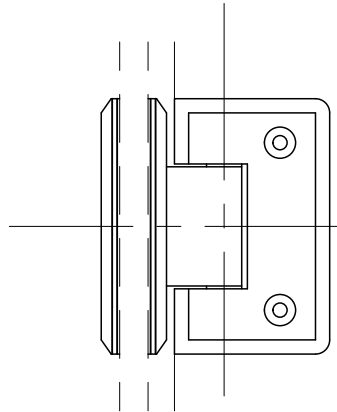
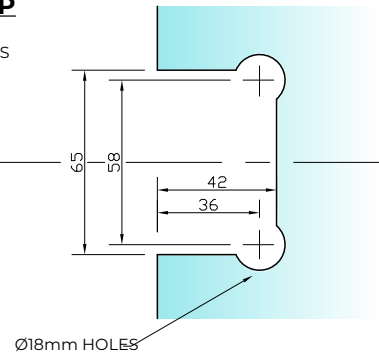


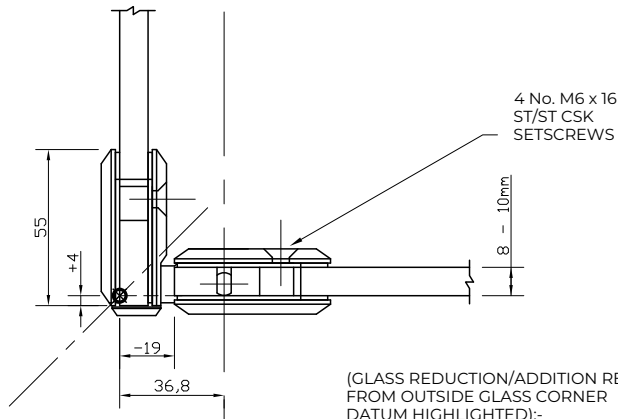
**REAR VIEW  
ON HINGE**



**REQUIRED  
GLASS PREP**  
TO BOTH FIXED  
AND DOOR GLASS



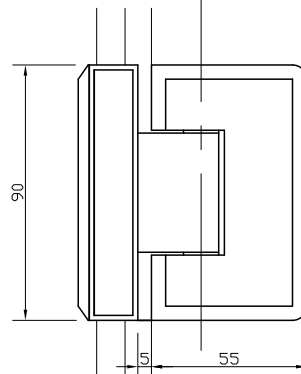
**PLAN VIEW  
ON HINGE**



(GLASS REDUCTION/ADDITION REQ. FROM OUTSIDE GLASS CORNER DATUM HIGHLIGHTED):-

+ 4mm (FIXED GLASS SIDE)  
- 19mm (DOOR GLASS SIDE)

**FRONT VIEW  
ON HINGE**



**Express Glass Warehouse**  
51-55 Fowler Road,  
Hainault, Essex  
IG6 3UT

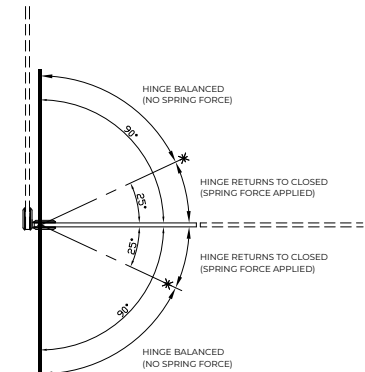
Tel: +44 (0)20 8500 1188  
Fax: +44 (0)20 8500 1010  
Email: info@egw.co.uk  
Website: www.egw.co.uk

Copyright (C) - October 2020, All Rights Reserved

**NOTES/SPECIFICATION:**

- ALL HINGE COMPONENTS IN CHROME PLATED BRASS.
- PRODUCT SUITABLE FOR 8 TO 10mm TOUGHENED GLASS PANES.
- HINGE SUPPLIED COMPLETE WITH:-
- 1) 8 No. x 1.25mm TRANSLUCENT RUBBER GLAZING WASHERS.
- 2) 4 No. M6 x 16mm ST/ST HEX SOCKET HEAD CSK SETSCREWS
- 3) 1 No. HEX SOCKET ALLEN KEY TO SUIT

(NOTE CUSTOMER TO PROVIDE ALTERNATIVE FIXINGS WHERE REQUIRED)



<b>PRODUCT REF:</b>	<b>SH/APH/H09</b>
<b>DESCRIPTION:</b>	DIMENSIONED ELEVATIONS AND GLASS PREP DETAILS
<b>DRAWING REF:</b>	<b>SH/APH/H09 - 001A</b>