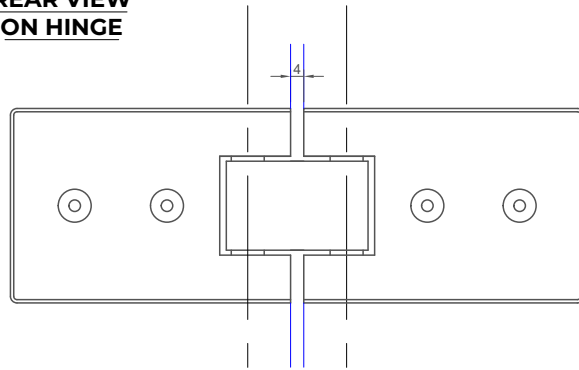
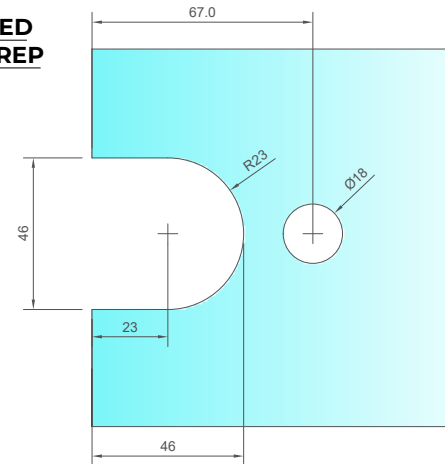


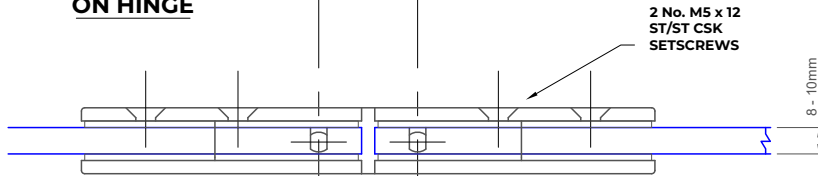
**REAR VIEW  
ON HINGE**



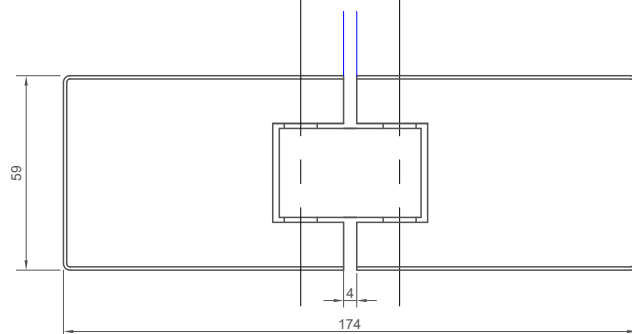
**REQUIRED  
GLASS PREP**



**PLAN VIEW  
ON HINGE**



**FRONT VIEW  
ON HINGE**



**NOTES/SPECIFICATION:**

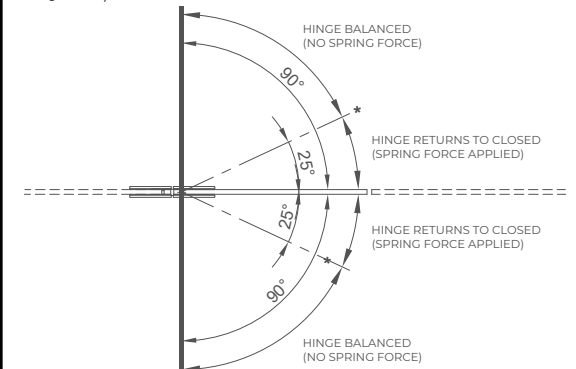
ALL HINGE COMPONENTS IN CHROME PLATED BRASS.

PRODUCT SUITABLE FOR 8 TO 10mm TOUGHENED GLASS PANES.

FITTING SUPPLIED COMPLETE WITH:-

- 1) 8 No. x TRANSLUCENT RUBBER GLAZING WASHERS.
- 2) 4 No. M5 x 12mm ST/ST HEX SOCKET HEAD CSK SETSCREWS
- 3) 1 No. HEX SOCKET ALLEN KEY TO SUIT
- 4) VARIABLE ANGLE FROM INLINE TO 90° FIXED WITH 2 POINTED GRUB SCREWS IN HINGE PANEL SIDE PIVOT BLOCK. (SEE PAGE 2)

(NOTE CUSTOMER TO PROVIDE ALTERNATIVE FIXINGS WHERE REQUIRED)

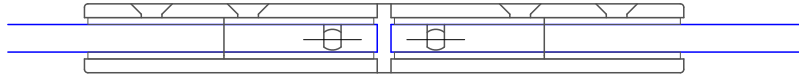


**PRODUCT REF: SH/APH/H07**

**DESCRIPTION: DIMENSIONED ELEVATIONS AND REQUIRED GLASS PREP DETAIL**

**DRAWING REF: SH/APH/H07 - 001E**

**INLINE**



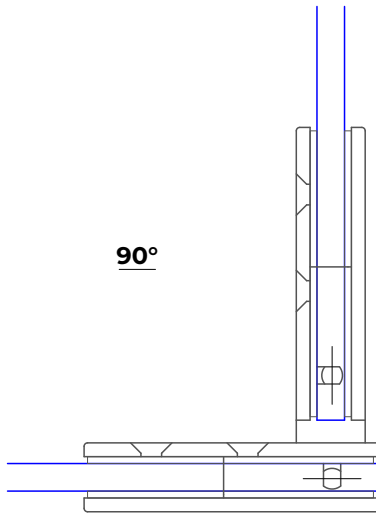
**Express Glass Warehouse**  
**51-55 Fowler Road,**  
**Hainault, Essex**  
**IG6 3UT**

Tel: +44 (0)20 8500 1188  
 Fax: +44 (0)20 8500 1010  
 Email: info@egw.co.uk  
 Website: www.egw.co.uk

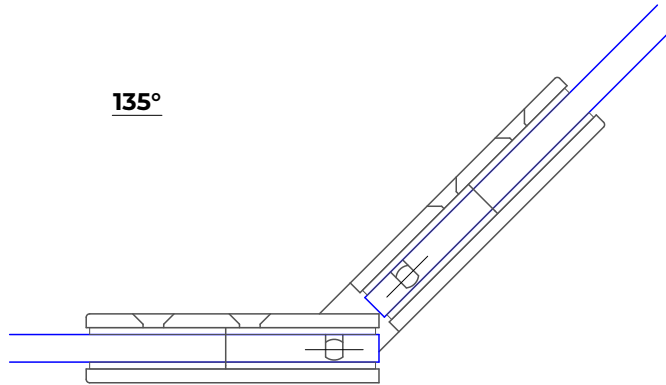
Copyright (C) - October 2020, All Rights Reserved

**MOST COMMON ANGLES  
 CAN BE FIXED AT ANY ANGLE  
 BETWEEN THOSE SHOWN**

**90°**



**135°**



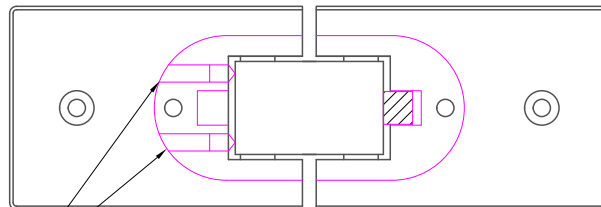
**NOTES/SPECIFICATION:**

THERE ARE 2 SCREWS INSIDE THE BODY OF THE HINGE ON THE FIXED SIDE PIVOT BLOCK, THESE SCREWS DRIVE INTO THE BLOCK ITSELF TO SECURE THE ANGLE.

TO ADJUST THE ANGLE REMOVE THE CLAMPING PLATE AND GASKETS TO FIND THE 2 HOLES SHOWN IN PINK.

INSERT THE ALLEN KEY TO LOOSEN THEM, MOVE TO REQUIRED ANGLE THEN TIGHTEN AS MUCH AS POSSIBLE TO LOCK IN PLACE.

UNDO THEM UNTIL THE POINT DISAPPEARS TO AVOID SCRATCHING THE PIVOT BLOCK WHILE ADJUSTING.



ANGLE ADJUSTING SCREWS

<b>PRODUCT REF:</b>	<b>SH/APH/H07</b>
<b>DESCRIPTION:</b>	DIMENSIONED ELEVATIONS AND REQUIRED GLASS PREP DETAIL * AB - 09/02/18
<b>DRAWING REF:</b>	<b>SH/APH/H07 - 001E</b>