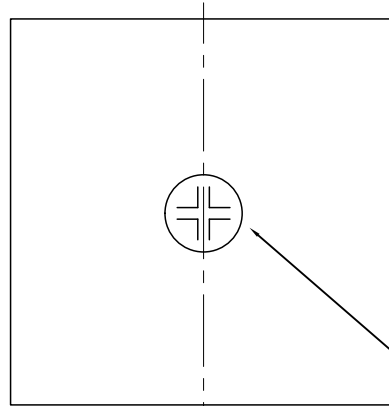
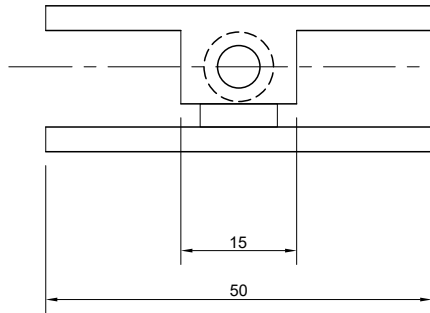


**BACK VIEW
ON FITTING**

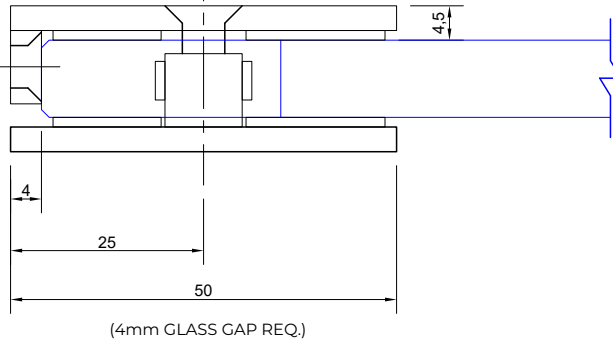


1 No. M6 x 12
ST/ST CSK
SETSCREW

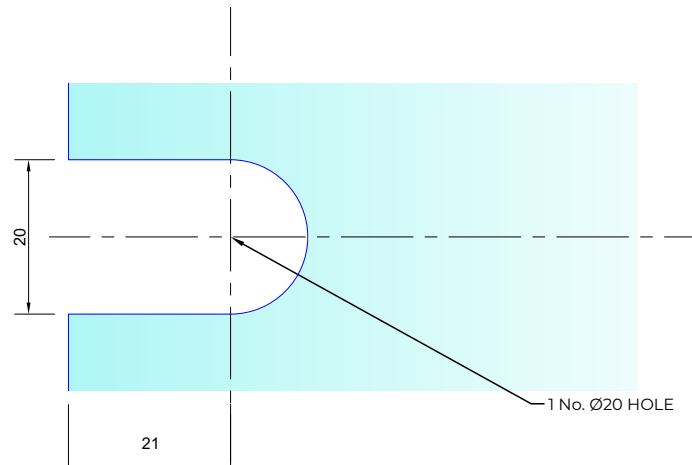
**REAR VIEW
ON FITTING**



**SECTION
THROUGH
FITTING**



**REQUIRED
GLASS PREP**



Express Glass Warehouse
51-55 Fowler Road,
Hainault, Essex
IG6 3UT

Tel: +44 (0)20 8500 1188
Fax: +44 (0)20 8500 1010
Email: info@egw.co.uk
Website: www.egw.co.uk

Copyright (C) - October 2020, All Rights Reserved

NOTES/SPECIFICATION:

ALL FITTING COMPONENTS IN BRUSHEND NICKEL PLATED BRASS.

PRODUCT SUITABLE FOR 8 TO 10mm TOUGHENED GLASS PANES.

FITTING SUPPLIED COMPLETE WITH:-

- 1) 2 No. x 1.25mm TRANSLUCENT GASKETS
- 2) 1 No. M6 x 12mm ST/ST POSI DRIVE CSK SETSCREWS
- 3) 1 No. 12 x 40mm CSK POSI DRIVE SCREWS AND PLASTIC PLUGS

(NOTE CUSTOMER TO PROVIDE ALTERNATIVE FIXINGS WHERE REQUIRED)

PRODUCT REF: SH/APH/B05_S

DESCRIPTION: DIMENSIONED ELEVATIONS AND
REQUIRED GLASS PREP DETAIL

DRAWING REF: SH/APH/B05_S - 001D