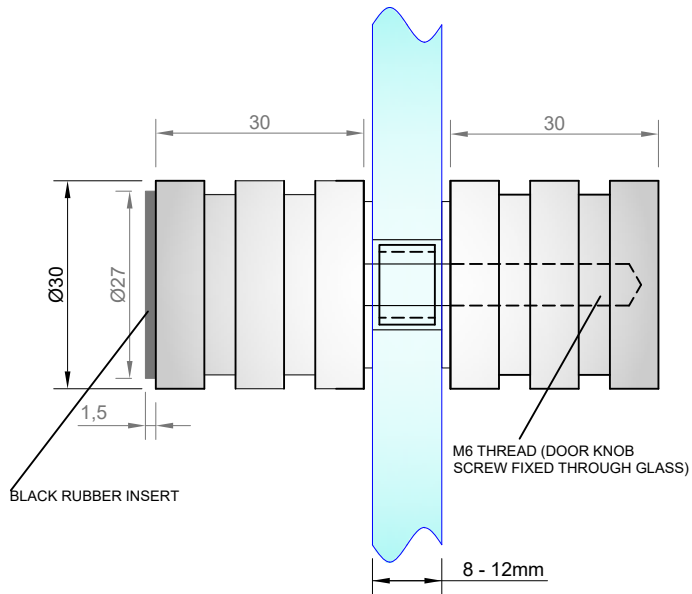
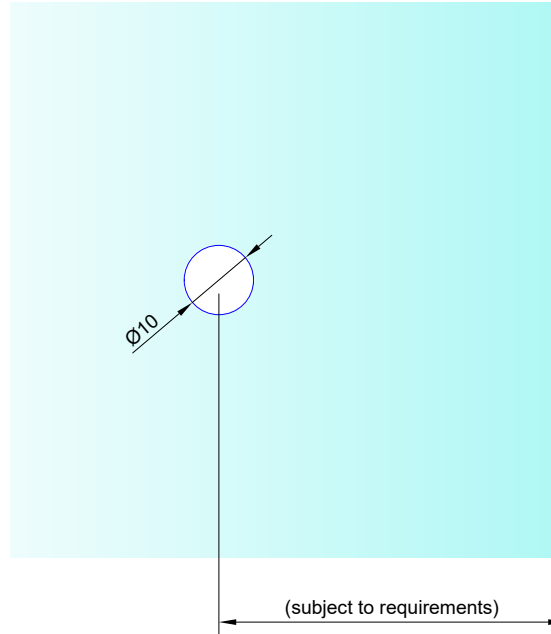


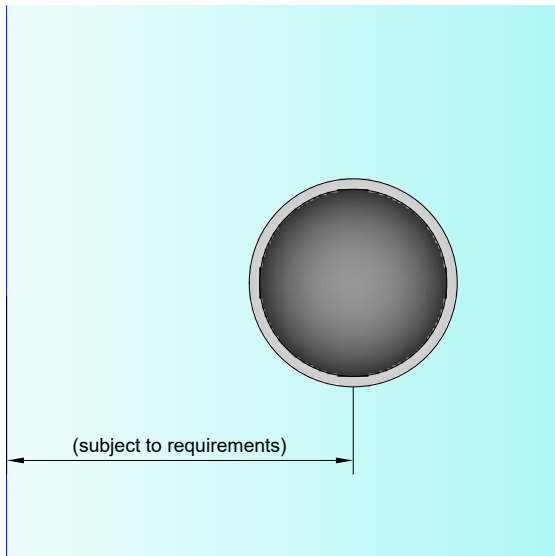
**SIDE VIEW
ON DOOR KNOB**



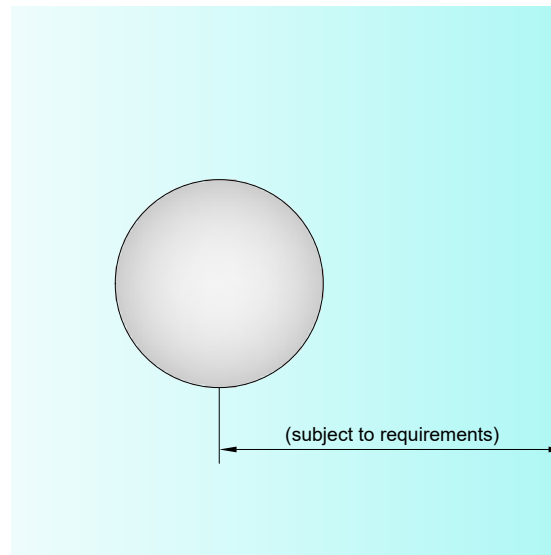
REQUIRED GLASS PREP



**FRONT VIEW
ON DOOR KNOB**



**REAR VIEW
ON DOOR KNOB**



Express Glass Warehouse
51-55 Fowler Road,
Hainault, Essex
IG6 3UT

Tel: +44 (0)20 8500 1188
Fax: +44 (0)20 8500 1010
Email: info@egw.co.uk
Website: www.egw.co.uk

Copyright (C) - October 2020, All Rights Reserved

NOTES/SPECIFICATION:

ALL DOOR KNOB COMPONENTS IN CHROME PLATED BRASS WITH BLACK RUBBER BUFFER

PRODUCT SUITABLE FOR 8 TO 12mm TOUGHENED GLASS PANES.

DOOR KNOB SUPPLIED COMPLETE WITH:-

- 1) 2 No. x 1.35mm TRANSLUCENT RUBBER GLAZING WASHERS
- 2) 1 No. DIA. 8mm CLEAR PLASTIC INSERT TUBE

PRODUCT REF:	SH/APH/K13
DESCRIPTION:	DIMENSIONED ELEVATIONS DOOR KNOB WITH RUBBER BUFFER
DRAWING REF:	SH/APH/K13 - 001