

**REQUIRED
GLASS PREP**

(SCALE 1:1 (A4))

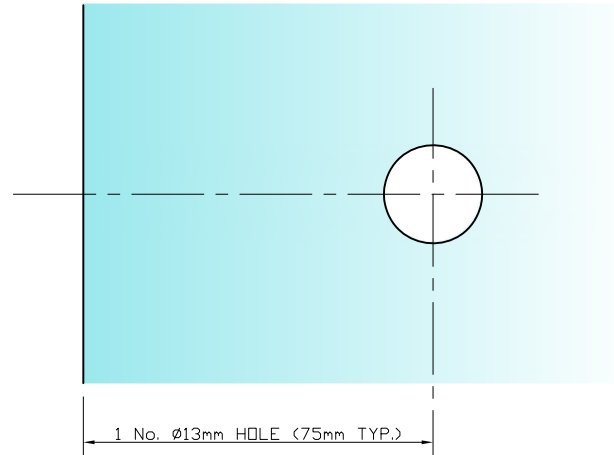


EXPRESS GLASS WAREHOUSE

Express Glass Warehouse
51-55 Fowler Road,
Hainault, Essex
IG6 3UT

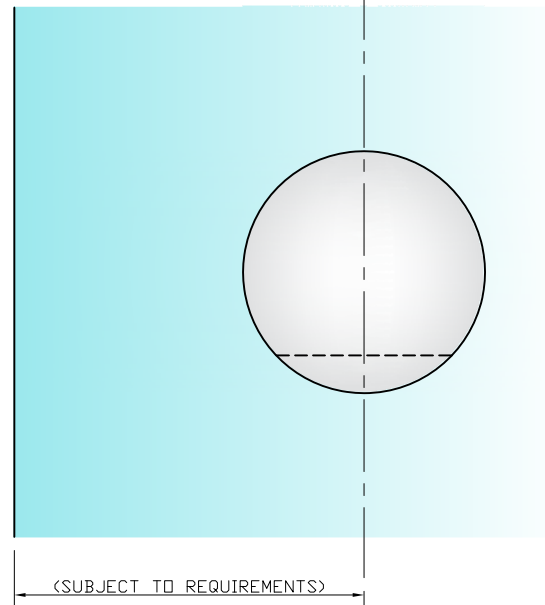
Tel: +44 (0)20 8500 1188
 Fax: +44 (0)20 8500 1010
 Email: info@egw.co.uk
 Website: www.egw.co.uk

Copyright (C) - October 2020, All Rights Reserved



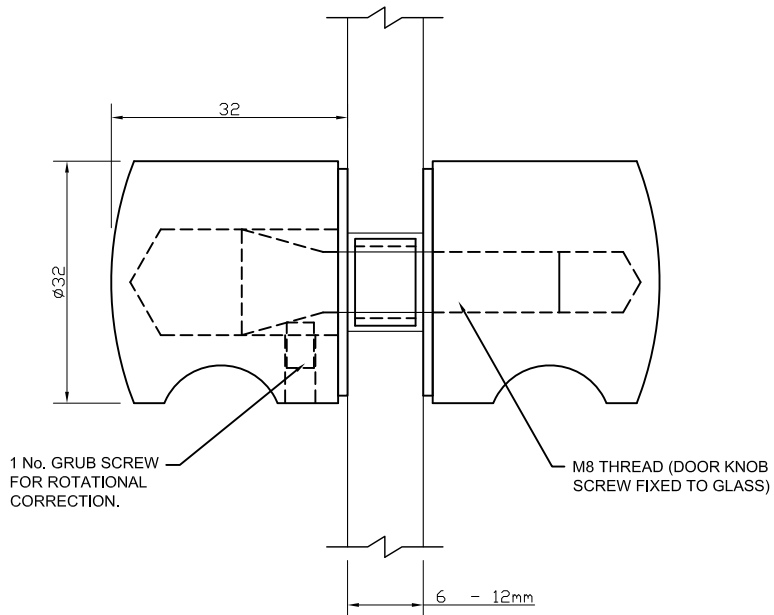
**FRONT VIEW
ON DOOR KNOB**

(SCALE 1:1 (A4))



**SIDE VIEW
ON DOOR KNOB**

(SCALE 1:1 (A4))



NOTES/SPECIFICATION:

- ALL DOOR KNOB COMPONENTS IN CHROME PLATED BRASS.
- PRODUCT SUITABLE FOR 6 TO 12mm TOUGHENED GLASS PANES.
- DOOR KNOB SUPPLIED COMPLETE WITH:-
- 1) 2 No. x 1.35mm TRANSLUCENT RUBBER GLAZING WASHERS
- 2) 1 No. M5 x 8mm ST/ST GRUB SCREW
- 3) 1 No. DIA. 12mm WHITE PLASTIC INSERT TUBE

PRODUCT REF:	SH/APH/K01
DESCRIPTION:	DIMENSIONED ELEVATIONS AND GLASS PREP DETAILS
DRAWING REF:	SH/APH/K01 - 001