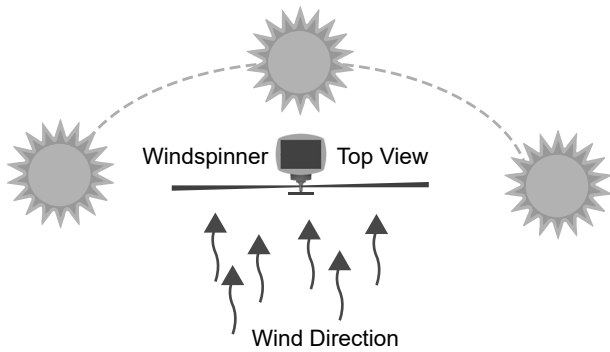


BERNINI™ Solar Windspinner

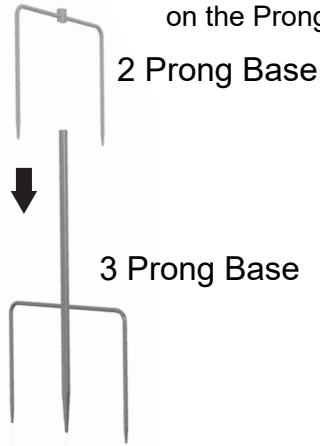
Elevate your garden decor with this beautiful Windspinner powered by wind and the Sun

Instructions

1. Find a good location in your yard to place your Solar Windspinner.
Tip: Face the Solar Windspinner in an area where you notice prevailing wind. You will be able to adjust the Solar Panel to provide more power in the morning, mid-day, or afternoon.



2. Put the pronged pieces together, and insert into firm, compacted soil. Make sure the ground is not loose. Add additional, support weight if necessary on the Prong Base.

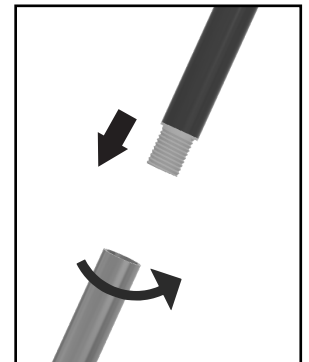


3. Screw the the poles together from the bottom towards the top.

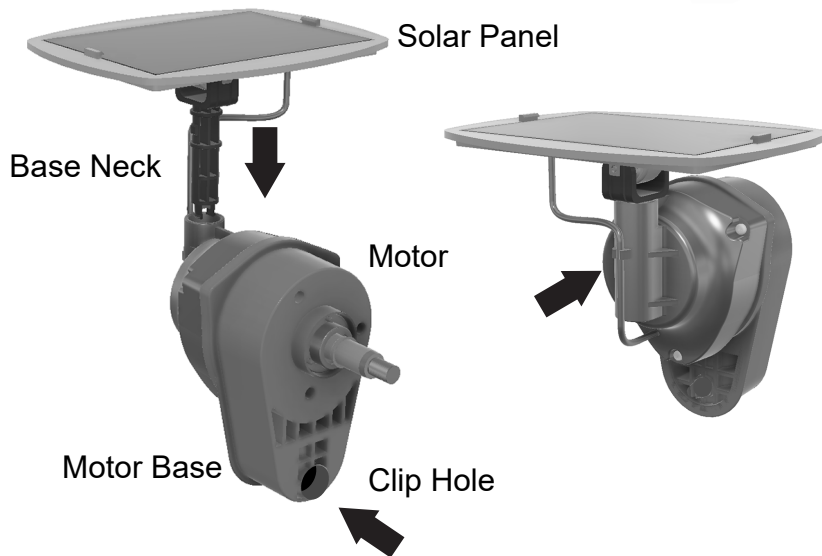
Upper Pole + Motor Inset

Lower Pole

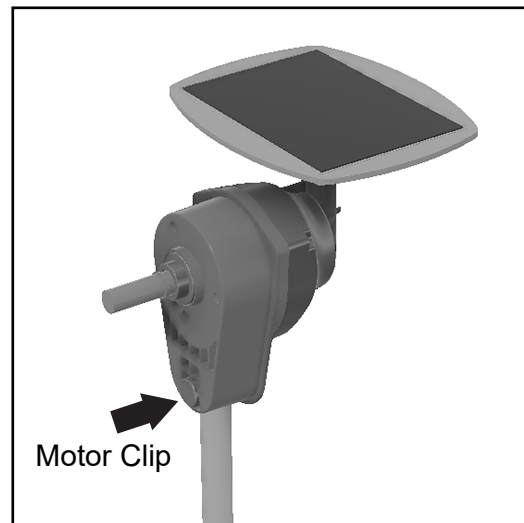
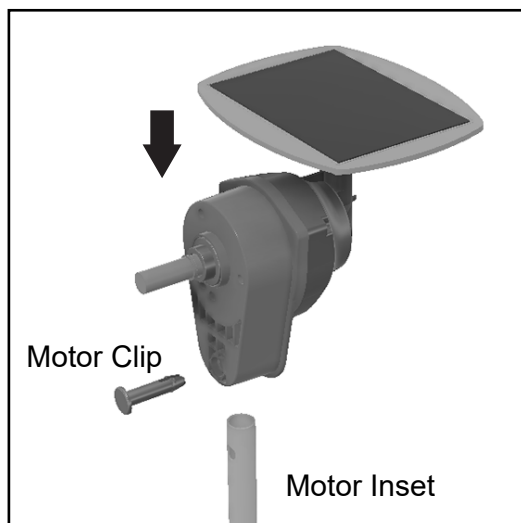
Prong Base



4. Insert Solar Panel base neck into it's holder in the back of the Motor. The Panel will be resting on the holder, but it will be able to pivot and be angled into a desired position. Secure loose wiring.

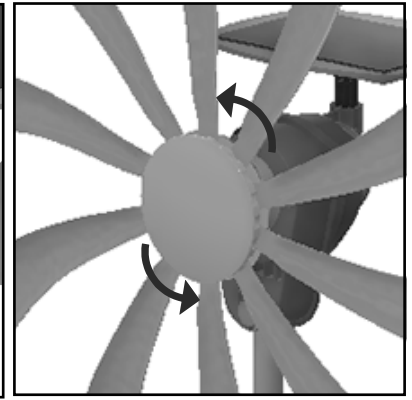
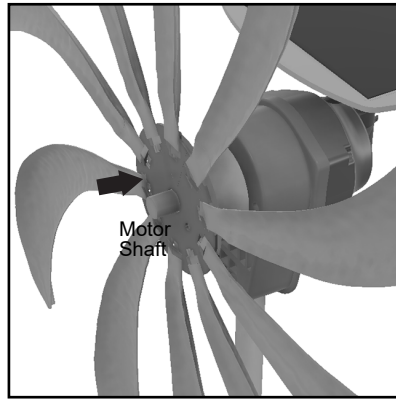
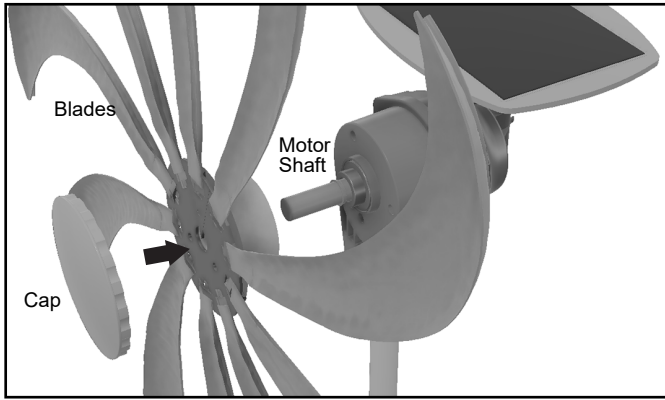


5. Insert the Motor Inset inside the Motor Base. Rotate the Motor so the Clip hole at the bottom aligns with the Motor Inset hole. Insert the Motor Clip



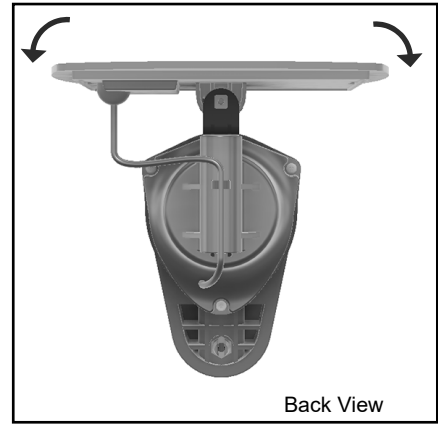
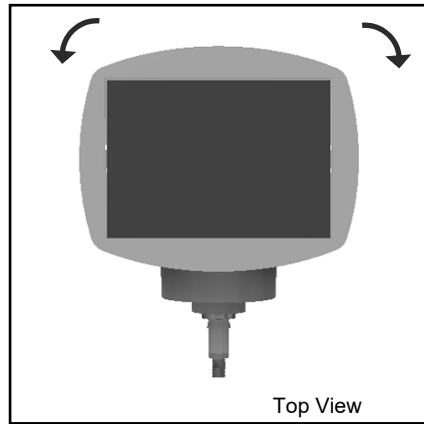
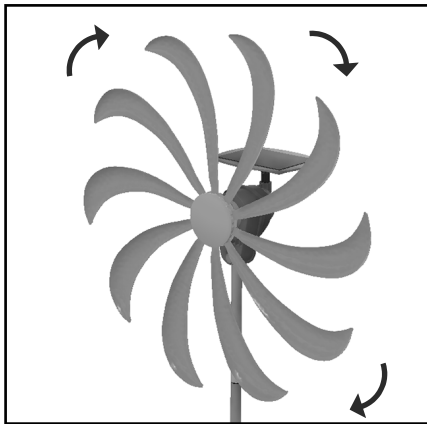
6. Center the Blades on the Motor Shaft and press towards the Motor.

7. Put the Cap on the Motor Shaft: Facing the Windspinner tighten the Cap by turning counter-clockwise.



Blades will spin clockwise by wind and solar power/motor. The wind can spin it counter clockwise but less likely. **DO NOT FORCIBLY SPIN THE BLADES**

If desired you may rotate the Solar Panel on its base as well as angle it, side to side, or front to back to receive more sunlight.



LIMITATION OF LIABILITY

Liability limited to the purchase price of this product. YRDLLC shall not be liable for any incidental or consequential damages or any implied warranty on this product. Some states do not allow the exclusion or limitation of incidental or consequential damages, so the above limitation or exclusion may not apply to you.

WARNING

- Stay clear of moving parts especially during high winds.
- DO NOT attempt to stop or touch fast moving blades.
- DO NOT forcibly spin blades. It will destroy the motor gears.
- For general OUTDOOR use ONLY.
- DO NOT leave this product unattended with children.
- This product is NOT A TOY.

LIMITED ONE YEAR WARRANTY

This warranty gives you specific legal rights and you may also have other rights which vary from state to state. This product has a one year limited warranty on all materials and workmanship. Bernini Fountain™ warrants the original purchaser of this product that the product will be free from manufacturing defects in workmanship and material for a period of one (1) year from the date of original purchase. If within one (1) year this product fails due to defect in material or workmanship, Bernini Fountain™ will repair, replace or supply any defective part(s) at their discretion. The purchaser must contact Bernini Fountain™ and provide a description of the defective part, including digital pictures if requested, with this original purchase documentation as validation of warranty coverage. This warranty does not cover or apply to: (a) damage to the product due to misuse, mishandling, and abuse, (b) products not used in accordance with instructions, (c) product not assembled or installed according to instructions, and (d) normal wear and tear.

Call us for assistance at +1 (619) 449-2392 or you can email us at customer@berninifountains.com or mail us at:
 9545 Pathway Street, Santee, CA 92071,
 Our Customer Care Department is available:
 Monday - Friday 8:30am to 4:00pm PST /11:30am - 7:00pm EST
 Santee, California 92071 | World Wide Patents Pending | Email: customer@berninifountains.com | On the web: berninifountains.com

© Yeiser Research & Development, LLC; 2021. All rights reserved.
 Made in China | Designed in the USA

January 2021© Yeiser Research & Development LLC and Bernini™. Trade names, product names and logos used in this document are the trademarks or registered trademarks of Yeiser Research & Development LLC, Santee, CA 92071