

Rechargeable Garden Fountain



PLEASE READ FIRST BEFORE RETURNING

If you have any questions regarding assembly, parts or operating use.

PLEASE CALL US FOR ASSISTANCE AT

1-888-648-2011

Our Customer Service Department is available:

Monday - Friday 8:30am to 5:30pm Pacific Time

For 24 hour service please visit our website at www.hydrostore.com. There you will find instructional videos on how to assemble and operate your fountain. You can also email us any questions you have. Our customer service department will follow-up with you within a timely manner.

This product comes with a one year limited warranty against materials and workmanship.

Table of Contents

IMPORTANT BATTERY SAFETY INSTRUCTIONS, READ FIRST 1

What's in the box?	3
Assembling your fountain	4
Step One: Large Bowl Assembly	4
Step Two: Water Pump Assembly	5
Step Three: Attaching Fountain Bowl	7
Step Four: Attaching the Garden Bowl (Optional).....	8
Using Garden Bowl (Optional)	9
Setting up your Garden Fountain	10
Step One: Filling your fountain.....	10
Step Two: Installing Battery	10
Step Three: Closing the Battery Compartment	11
Operating your fountain	12
Water Fountain Configuration (Optional)	13
Recharging your fountain's battery	14
Using Optional Bowl Plugs	15

IMPORTANT BATTERY SAFETY INSTRUCTIONS, READ FIRST

DANGER: Do not store battery in an airtight container, as it may cause an explosion.

WARNING: When using electric devices, basic safety precautions should always be followed to reduce the risk of fire, electric shock, and personal injury, including the following.

PROPOSITION 65 WARNING: Battery posts, terminals and related accessories contain lead and lead compounds, chemicals known to the State of California to cause cancer and reproductive harm. Wash hands after handling.

WARNING:

- 1.** Do not incinerate the battery even if it is severely damaged or is completely worn out. The battery can explode in a fire. Check with local codes for possible special disposal instructions.
- 2.** If leakage of liquid from the battery cell occurs, discontinue use immediately and dispose of properly.
- 3.** Do not charge battery in rain or in wet location.
- 4.** Never attempt to open the battery for any reason. If the plastic housing of the battery breaks or cracks, immediately discontinue use and do not recharge. If the battery appears to be dusty or dirty, wipe it off with a soft cloth.
- 5.** Use only an approved Auto Rewind Hose Reel battery. Contact our customer service line for a replacement.
- 6.** Do not attempt to disassemble, remodel or destroy the battery, as it may cause battery leakage, fire, or bursting; and could also create sulfuric acid spills from the battery resulting in possible burns to personnel and damage to the immediate environment.

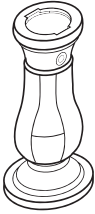
7. Exercise care in handling batteries in order not to short the battery with conducting materials such as rings, bracelets or keys. The battery or conductor may overheat and cause burns.
8. The battery contains diluted sulfuric acid, a very toxic substance. If the battery leaks and the liquid inside spills on the skin or clothing, immediately wash it off with plenty of clean water. If the liquid splashes into eyes, immediately flush the eyes with plenty of clean water and consult a doctor. Sulfuric acid in the eyes may cause loss of eyesight and acid on the skin will cause burns.
9. Charge battery using the specified charger and under the charging conditions as specified. Charging the battery under any other conditions may cause the battery to overheat, emit hydrogen gas, leak, ignite, or burst.
10. When this product is not used for 30 days or more, remove the battery from the fountain, charge it fully and store in a place where humidity is low. Do not store the battery under direct sunlight or in high temperatures. Unsatisfactory storage conditions may cause deterioration in battery performance, shorten the service life.
11. When charging battery always do so in a well ventilated area and where you can observe the charging process.
12. Do not charge on counter tops, carpets or other finished surfaces. It is recommended that the battery be placed on a concrete surface while charging.



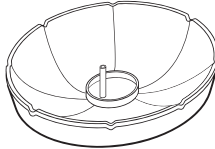
Do not turn on the water pump before filling up your fountain with water!

What's in the box?

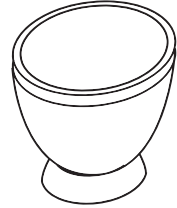
Before you start assembling your new Rechargeable Fountain, make sure each item below was included with your item.



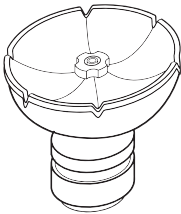
Base



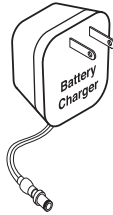
Large Bowl



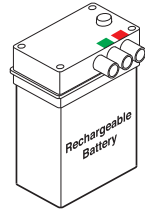
Garden Bowl



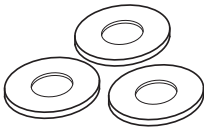
Fountain Bowl



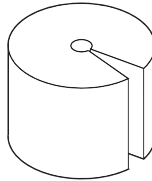
Charger



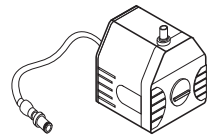
Battery



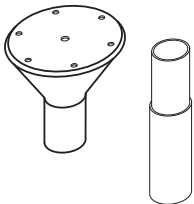
3 Silicone Spacers



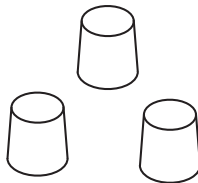
Foam Water Seal



Water Pump



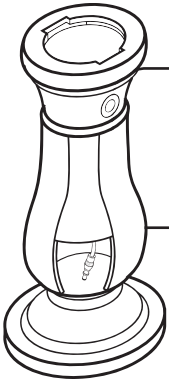
Fountain Spouts



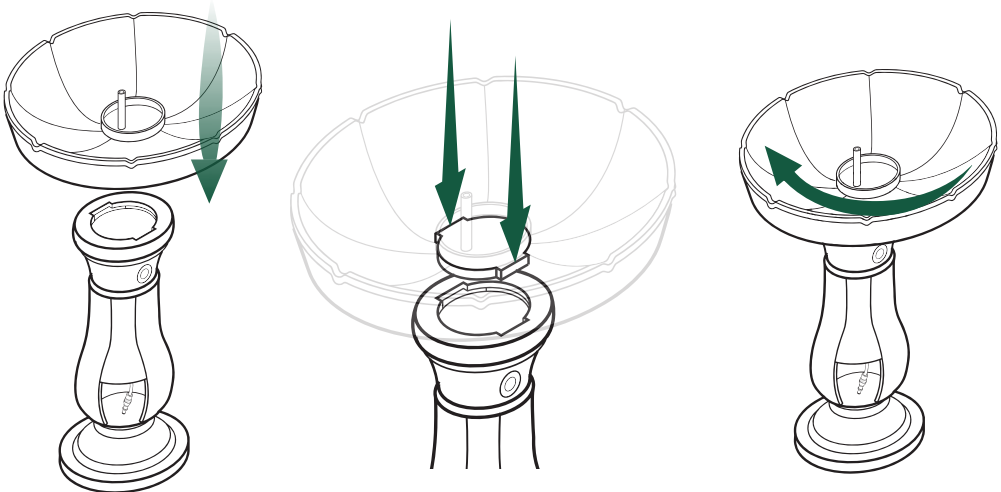
Bowl Plugs

Assembling your fountain

Step One: Large Bowl Assembly

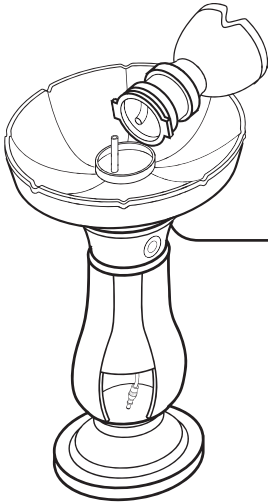


Locate a flat firm surface to place your fountain. Once you have found the perfect spot for your fountain, place the base upright in the desired area.

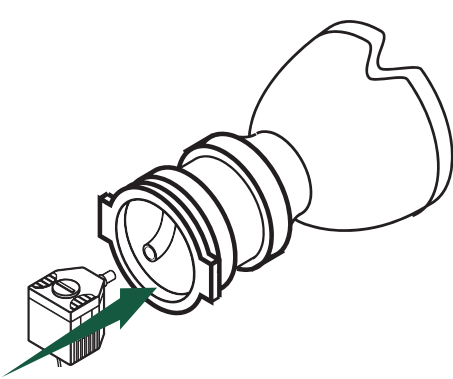


Place **Large Bowl** on top of **Base**. Note the bottom of the bowl has a locking key shape which matches the top of the **base**. Twist the bowl clock wise, about a $\frac{1}{4}$ turn, until it locks into place

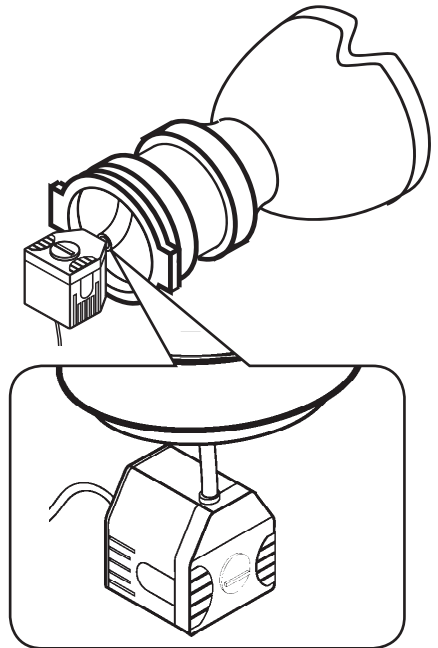
Step Two: Water Pump Assembly

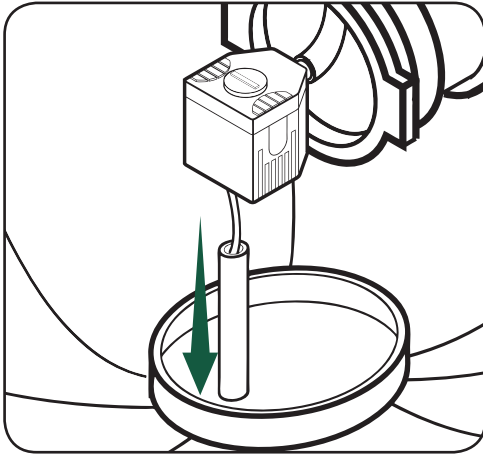


You can rest the Fountain Bowl in the assembled Large Bowl to make water pump assembly easier.

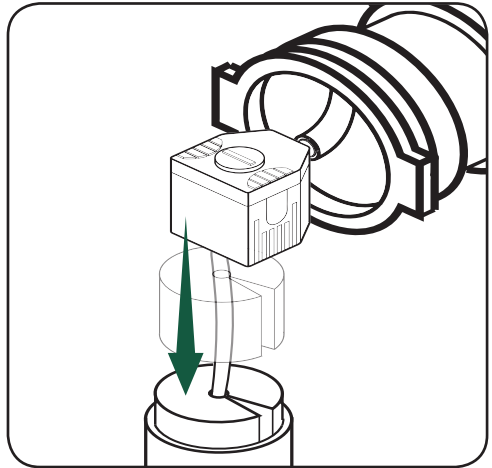
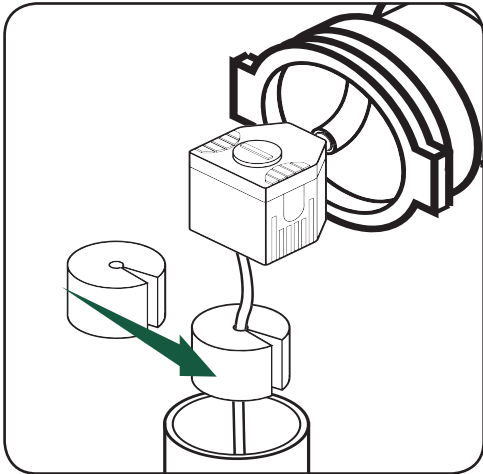


Attach the **Water Pump** to the water tube coming out of the bottom of the **Fountain Bowl**. Press the male fitting of the **Water Pump** into the female water tube until it fits securely.





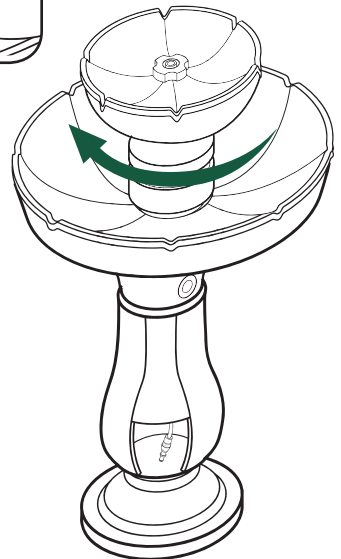
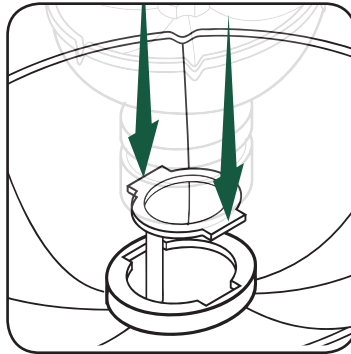
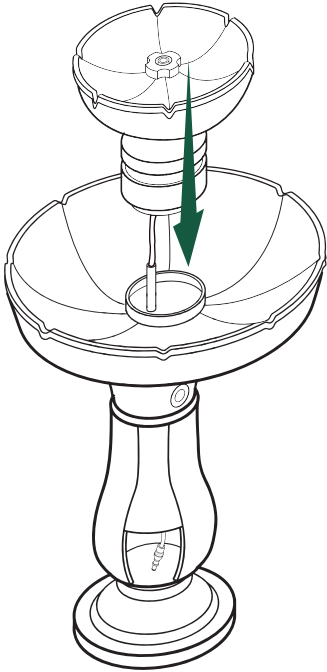
Feed the **Water Pump** power cord into tube in the **Large Bowl**. Then on the power cord about 7" from the pump slide the **Foam Water Seal** onto the power cord .



There is a slit in the **Foam Water Seal** which the cord will slide into. Then push the cord and the **Foam Water Seal** into the power cord tube, effectively sealing the top of the power cord tube.

Step Three: Attaching Fountain Bowl

Set the **Fountain Bowl** in the middle of the **Large Bowl**. The bottom of the **Fountain Bowl** has a key locking shape which matches the top of the **Large Bowl**. Twist the **Fountain Bowl** clockwise, about a $\frac{1}{4}$ turn until it locks into place.

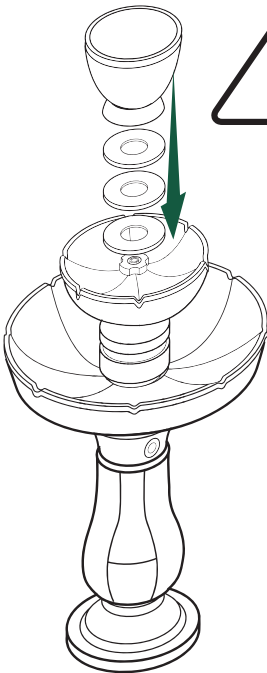


Step Four: Attaching the Garden Bowl (Optional)

The following instructions are for users that would like to use the gardening feature. **If you would like to have a fountain spout on the top of your fountain in place of the Garden Bowl, please refer to page 13 for instructions.**

1. Transplant potted plant into the **Garden Bowl**.
2. Before placing the **Garden Bowl** onto the fountain make sure any loose soil is cleaned from the bottom of the bowl to reduce dirt in the fountain for first use.

NOTE: During first use some of the soil will transfer from the bottom of the **Garden Bowl** into the fountain causing dirt to show up in the bottom bowls. After approximately 3 days use clean the **Fountain Bowl** and **Large Bowl** of debris and the loose soil will stop transferring to the fountain, allowing the fountain to run cleanly.



Garden Bowl does not lock into place.

Using Garden Bowl (Optional)

Your self watering aerating garden fountain is designed to adjust for different types of plants depending on their water requirements.

There are four water levels depending on the water requirements of your particular plant. These are adjusted by placing the **Silicone Spacers** in between the **Fountain Bowl** and the **Garden Bowl**.

- Plants requiring **ample water** use **no spacers**.
- Plants requiring **heavy water** place **one spacer** in between the two bowls.
- Plants requiring **moderate water** place **two spacers** in between the two bowls.
- Plants requiring **little water** use all **three spacers**.

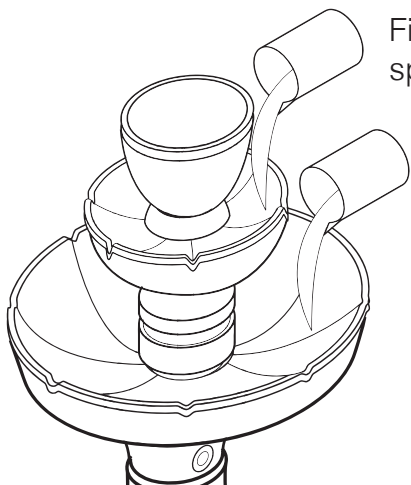
Your self watering garden fountain waters from the bottom up. Do not worry if you do not see the top soil becoming wet after the first day or two of use. The bottom layer of the soils is becoming watered every time you run the fountain. After approximately 3 days the soil will reach its maximum water level, steadily climbing to the top surface of the soil, depending on the water level you have adjusted to top bowl to.

Your self watering garden fountain will automatically aerate your plant once the fountain has turned off. When the fountain is on, the water level rises above the bottom surface of the top planter bowl, in which the water saturates the soil.

When the water is turned off the water level lowers until the remaining water is soaked up into the soil and then an air gap forms allowing the bottom of your planter to not stay immersed in water.

Setting up your Garden Fountain

Step One: Filling your fountain

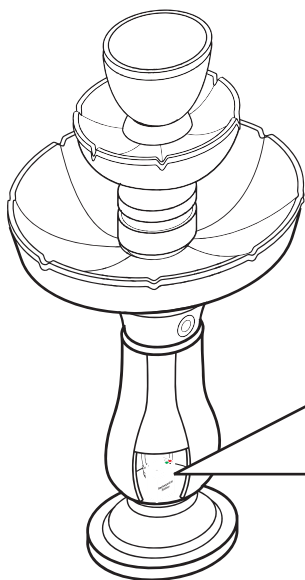


Fill **Fountain Bowl** until water pours over spouts

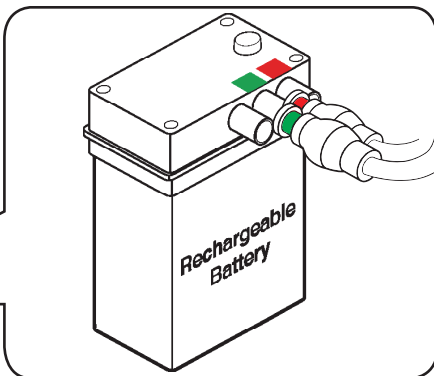
Fill **Large Bowl** until water is about 1 inch (2.5 centimeters) from the top of the bowl.



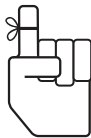
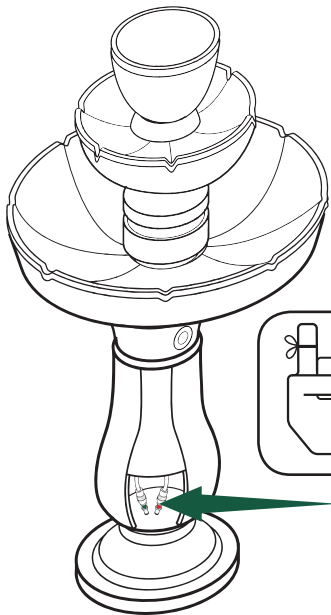
Step Two: Installing Battery



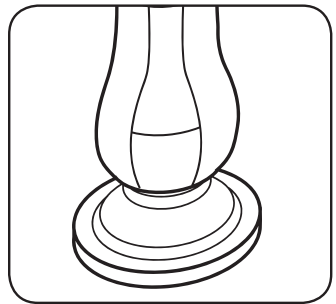
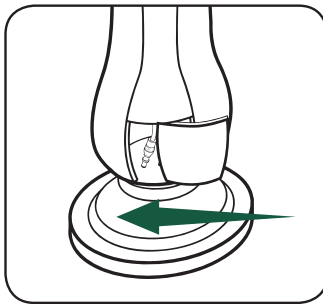
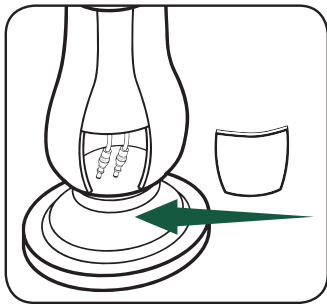
Plug the red cord to the red receptor on the battery. Then plug the Green cord to the green receptor on the battery. Then Place the **rechargeable battery** inside the battery compartment located at the bottom of the fountain base. Replace **battery compartment door** (*instructions on next page*) once battery is installed.



Step Three: Closing the Battery Compartment



The fountain's battery compartment is located in the base, as indicated by the arrow.

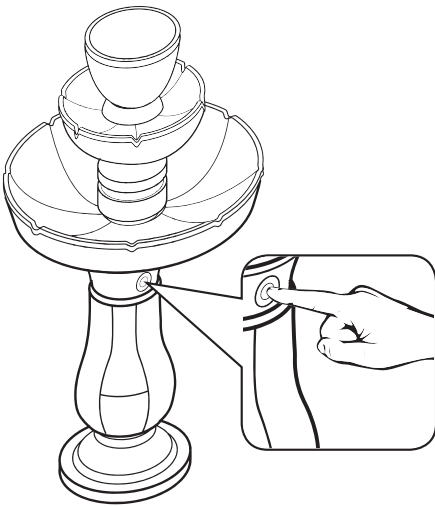


To close the battery compartment, simply line the bottom of the **battery compartment door** up with the tracks at the edge of the compartment and slide the door from right to left.

To open the battery compartment, grab the left edge of the **battery compartment door** and slide the door right.

Don't worry about putting the door on the wrong way as the door will only securely fit one way.

Operating your fountain



The control button is located on the upper side of the **Base** just below the **Large Bowl**, above battery compartment. The control is very simple. Press the button once to turn it on. The fountain will run for one hour and then automatically turn off. *To turn the fountain off* simply **press and hold** the button down for 3 seconds until the fountain turns off.

How to control your fountain

Your Garden Fountain can run in four different automatic modes of operation. Refer to the table below to access these features.

Mode	Action	Result
One Hour Operation	Press power button 1x starting in the off position.	Fountain will shutoff automatically after 1 hour.
Two Hour Operation	Press press power button 2x starting in the off position.	Fountain will shutoff automatically after 2 hours.
Three Hour Operation	Press power button 3x starting in the off position.	Fountain will shutoff automatically after 3 hours.
Four Hour Operation	Press power button 4x starting in the off position.	Fountain will shutoff automatically after 4 hours.
Turn fountain off	Press & hold power button for 3 seconds	Turns fountain off immediately.

Water Fountain Configuration (Optional)

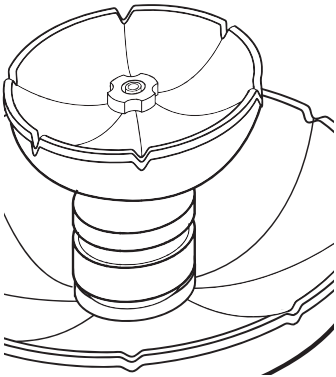
If you would like to have a dazzling fountain pattern adorning the top of your fountain instead of the **Garden Bowl** you can use the included **Fountain Spouts** assembly to have an eye-catching fountain show on the top of your Garden Fountain.



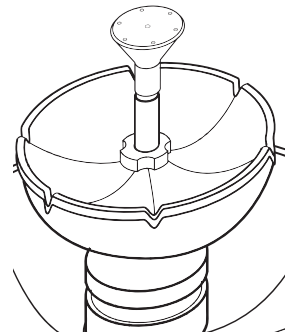
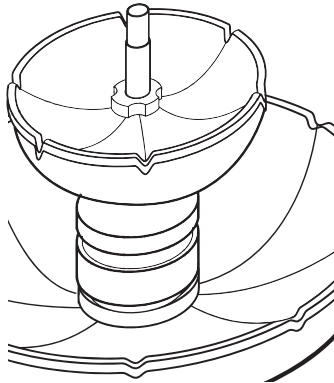
Make sure the *Garden Bowl* is not in place when assembling the water fountain configuration.



First attach the black extender tube to the middle of the **Fountain Bowl**.



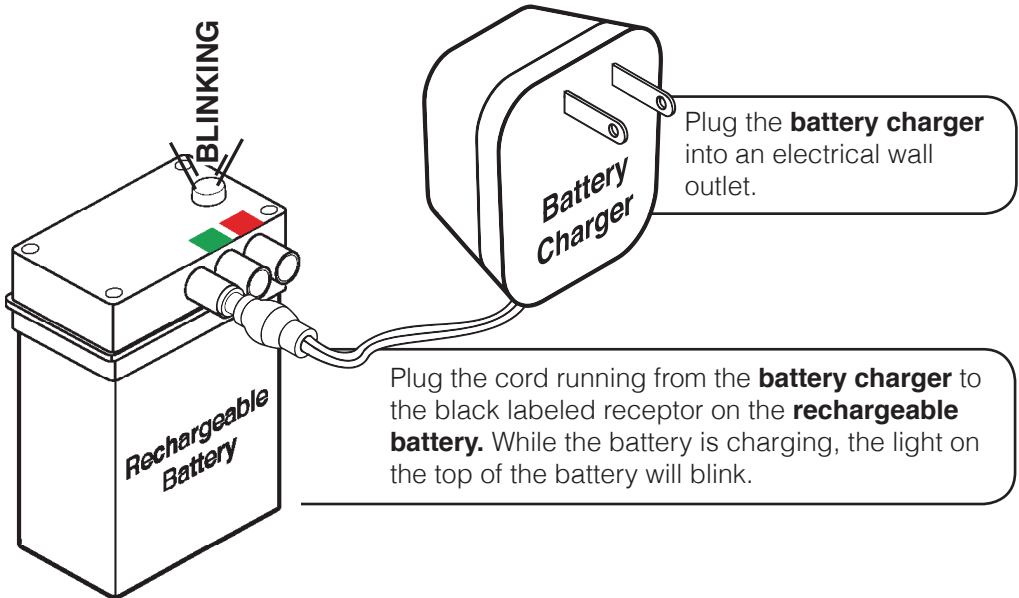
Next attach the fountain spout to the black extender tube.



Recharging your fountain's battery

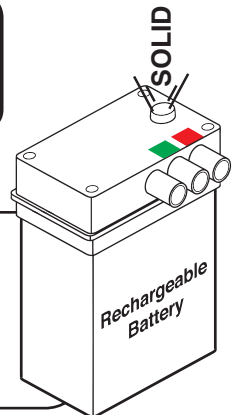
Follow these instructions to recharge your fountain's battery.

Before proceeding, please read **Warnings and Important Information** on page 1.



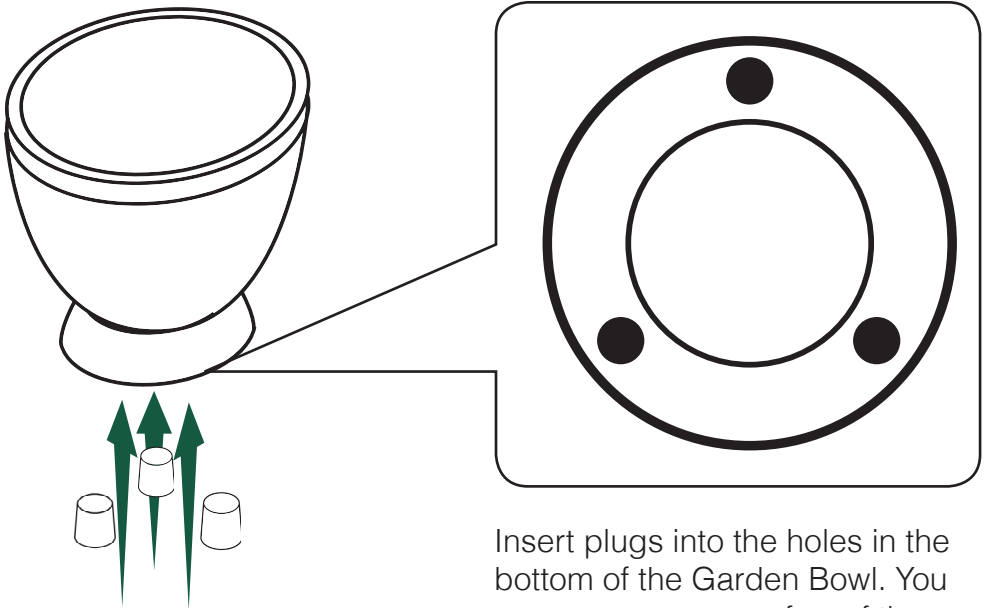
Charge battery for 12-14 hours or until the red light on the top of the battery stops blinking.

When the battery is fully charged, the light on the top of the battery will stop blinking and the light will be solid. At this point, you can remove the battery from the charger and plug the battery into your fountain (instructions on page 8.)



Using Optional Bowl Plugs

If you choose to use the **Garden Bowl** as a standalone pot for your plants while you have the fountain configuration on your *Rechargeable Garden Fountain*, you can use the included **Bowl Plugs** to control how much water is released from the **Garden Bowl** when watering your plants.



Insert plugs into the holes in the bottom of the Garden Bowl. You can use as many or few of the plugs as you choose to give your plants the drainage and water they require.

Manufactured by



El Cajon, California 92020
Telephone: 1-888-648-2011
On the web: www.hydrostore.com
Twitter: @yrdllc