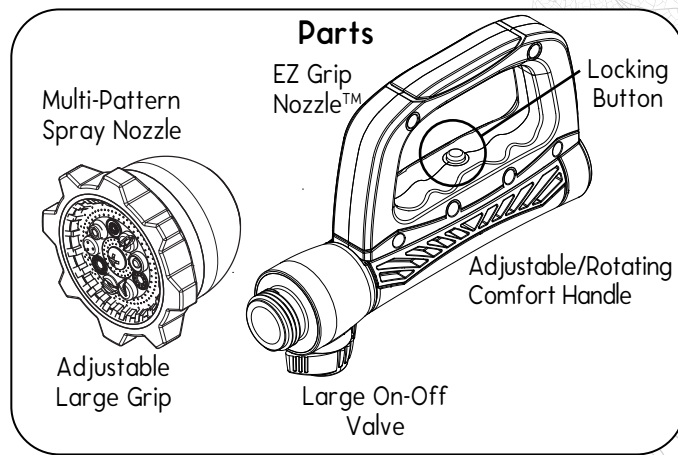
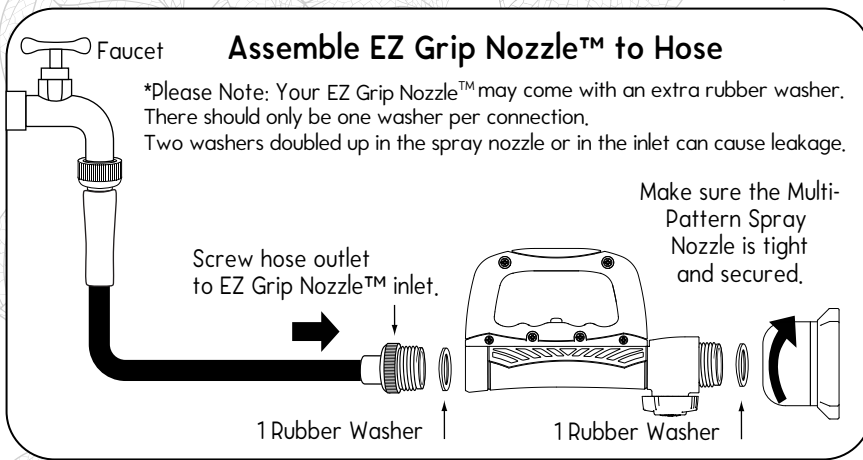


# BERNINI™ EZ GRIP NOZZLE™

## INSTRUCTIONS

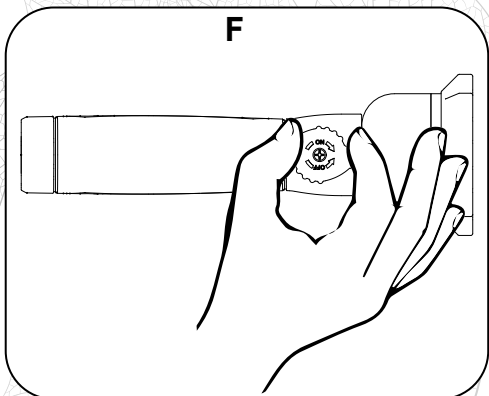
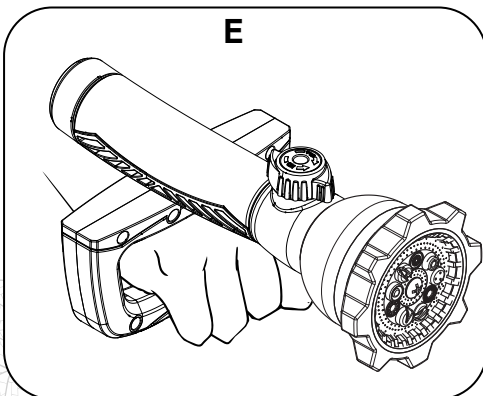
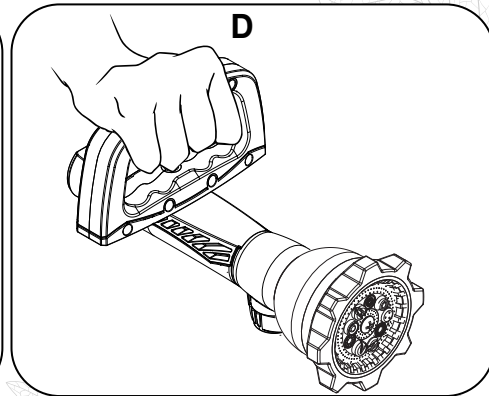
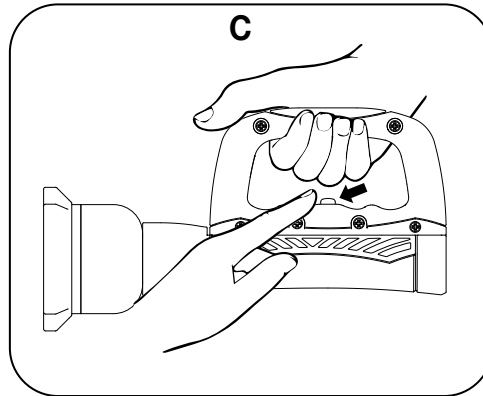
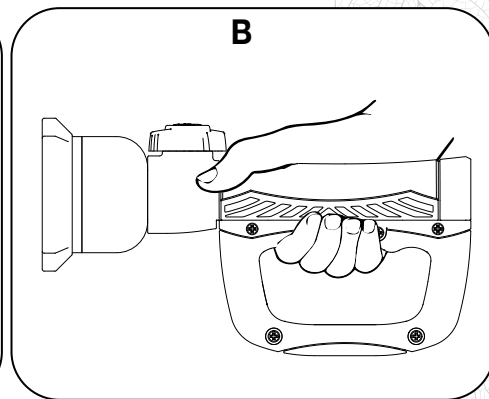
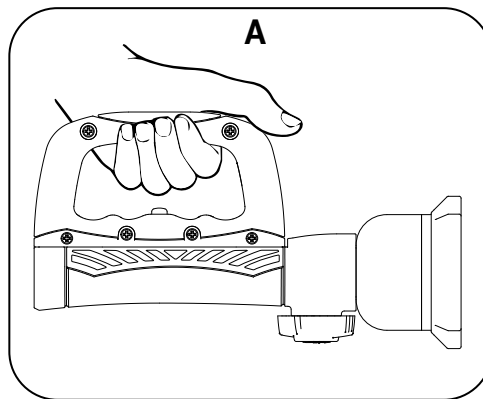
1. Remove the EZ Grip Nozzle™ from the package.
2. Ensure the multi-pattern spray nozzle (included) is tightened securely to the outlet of the EZ Grip Nozzle™.
3. Attach the other end of your EZ Grip Nozzle™ (the inlet) to the outlet of a water hose.
4. Turn on the faucet to start using your EZ Grip Nozzle™.

Hold In Multiple Positions  
Adjust To Your Comfort  
Multiple Pattern Spray Nozzle  
Great For All Your Watering Needs!



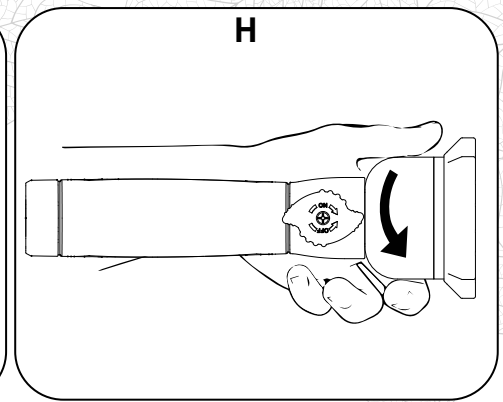
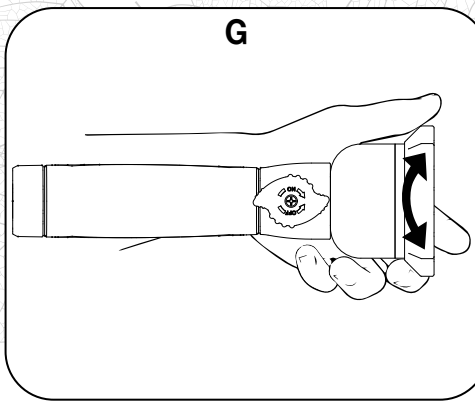
## Using The EZ Grip Nozzle™

- A. With the handle in the lateral position insert fingers through the handle and grasp the arc of the handle. The EZ Grip Nozzle™ will hang below the hand.
- B. With the handle in the lateral position insert fingers through the handle and grasp the body of the nozzle between the On/Off Valve and the inlet. This grip is larger than the handle grip.
- C. To turn the handle 90 degrees press the locking button, located in the center of the base of the handle, to release it. Turn the handle and it will snap into position. Repeat this step to turn it back to the lateral position.
- D. With the handle in the perpendicular position insert fingers through the handle and grasp the arc of the handle. The EZ Grip Nozzle™ will hang below the hand.
- E. With the handle in the perpendicular position, and the On/Off Valve facing up, insert palm (face down) through the handle and grasp the arc of the handle. The EZ Grip Nozzle™ will rest above the hand.
- F. With the On/Off Valve facing up turn clockwise (one quarter turn) to turn On. Turn one quarter turn counter clockwise to turn Off water flow.



**G.** To change the water spray pattern on the Multi-Pattern Spray Nozzle grasp the large, nubby, rubber grip and turn left or right until it clicks to the desired pattern.

**H.** To remove the Multi-Pattern Spray Nozzle grasp the base cup of the spray nozzle and turn right until it unscrews.



#### LIMITED ONE YEAR WARRANTY

This warranty gives you specific legal rights and you may also have other rights which vary from state to state. This product has a one year limited warranty on all materials and workmanship. Bernini® warrants the original purchaser of this product that the product will be free from manufacturing defects in workmanship and material for a period of one (1) year from the date of original purchase. If within one (1) year this product fails due to defect in material or workmanship, Bernini® will repair, replace or supply any defective part at their discretion. The purchaser must contact Bernini® and provide a description of the defective part, including digital pictures if requested, with the original purchase documentation as validation of warranty coverage. This warranty does not cover or apply to: (a) damage to the product due to misuse, mishandling, or abuse, (b) products not used in accordance with instructions, (c) product not assembled or installed according to instructions, and (d) normal wear and tear. Call us for assistance at +1 (619) 449-2392 or you can email us at [customer care@berninifountains.com](mailto:customer care@berninifountains.com) or mail us at: 9545 Pathway Street, Santee, CA 92071, Our Customer Care Department is available: Monday - Friday 8:30am to 4:00pm PST / 11:30am - 7:00pm EST

#### LIMITATION OF LIABILITY

Liability limited to the purchase price of this product. YRDLLC shall not be liable for any incidental or consequential damages or any implied warranty of this product. Some states do not allow the exclusion or limitation of incidental or consequential damages, so the above limitation or exclusion may not apply to you.

#### WARNING

- The water in ANY garden hose may become contaminated & cause serious health effects.
- Keep out of reach of children.
- For general OUTDOOR use ONLY application under 80 psi.
- DO NOT use this nozzle for commercial applications, i in hot water applications, or high pressure applications. Doing so may cause serious personal injury and or damage.
- DO NOT leave this product unattended when it is in use or under pressure.
- This product is NOT A TOY.



Scan this QR code for  
the latest version of these  
instructions

Call us for assistance at +1 (619) 449-2392 or you can email us at: [customer care@berninifountains.com](mailto:customer care@berninifountains.com) or mail us at  
9545 Pathway Street, Santee, CA 92071;  
Our Customer Care Department is available:  
Monday - Friday 8:30am to 4:00pm PST / 11:30am - 7:00pm EST  
Santee, California 92071 | Patents Pending | Email: [customer care@berninifountains.com](mailto:customer care@berninifountains.com) | On the web: [berninifountains.com](http://berninifountains.com)

2023 © Yeiser Research & Development and Bernini® EZ Grip Nozzle™. Trade names, product names and logos used in this document are the trademark or registered trademarks of Yeiser Research & Development LLC, Santee, CA 92071  
WORLD WIDE PATENTS PENDING

© Yeiser Research & Development, LLC, 2021. All rights reserved  
Made in China | Designed in the USA

801345 BEZG QVC Inst rev5a