

## TUNGSTEN SMART-HEAT™ PORTABLE

It's neutral black finish, and award-winning design makes it a piece of modern art. The Tungsten Smart-Heat™ Portable heater offers efficient directional heat and a versatile heating solution for the outdoor settings. It's modular construction with built-in wheels allows for easily manoeuvrability throughout tighter spaces.

### ANGLED BRACKET

Provides flexibility of heat direction

### ADJUSTABLE HEAT CONTROLS

Offers ease of operation and precise heat comfort levels

### SAFETY FEATURE

Anti tilt shut off

### CONTOURED DESIGN

Allows for superior wind resistance

### MODULAR CONSTRUCTION

For simple storage

### PORTABLE

For ease of movement

# SPECIFICATIONS

Reference the specification guide below to help you select the correct solution for your needs.

## MODEL NUMBER

|                         |                  |
|-------------------------|------------------|
| FUEL TYPE               | LPG              |
| COLOUR                  | BLACK            |
| HEAT AREA               | 20M <sup>2</sup> |
| MINIMUM FLOOR CLEARANCE | 1000MM           |
| OUTPUT                  | 40MJ             |

## MOUNTING OPTIONS

|                        |   |
|------------------------|---|
| CEILING MOUNT          | - |
| WALL MOUNT             | - |
| RECESSED   FLUSH MOUNT | - |
| CEILING POLE MOUNT     | - |
| FREESTANDING           | ✓ |

## CONTROL OPTIONS

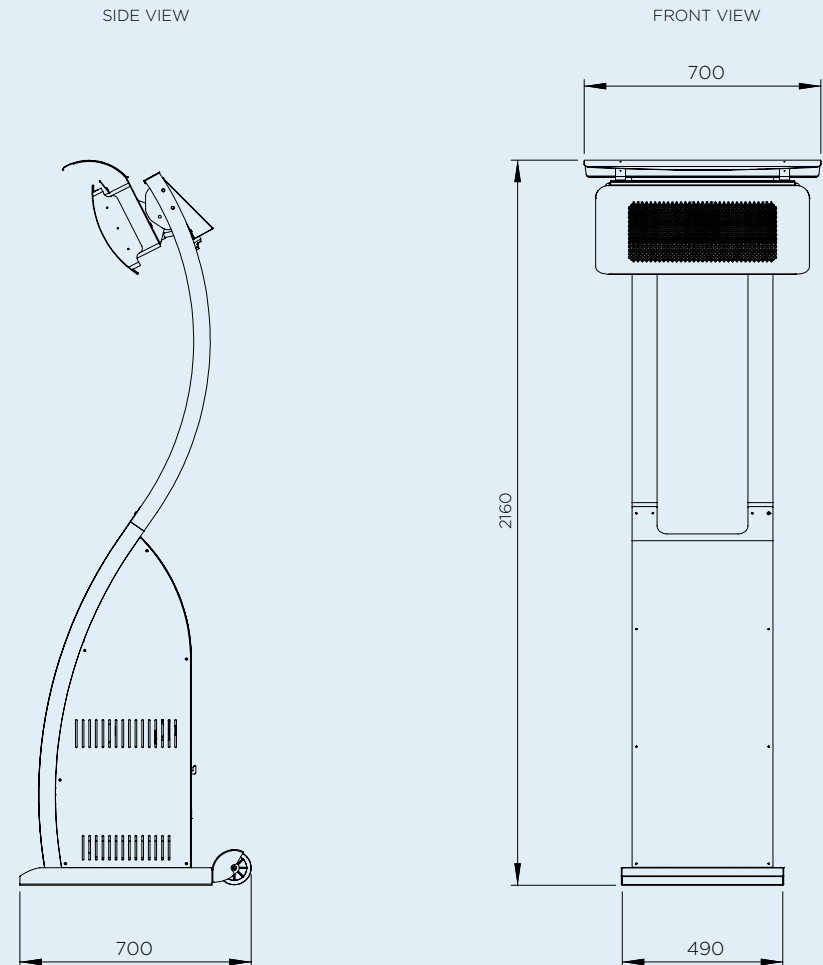
|               |   |
|---------------|---|
| ON   OFF      | - |
| DIMMER        | - |
| MASTER REMOTE | - |

Measurements displayed within this document are minimum requirements for installation. Bromic takes no responsibility for incorrect or non-compliant installations. All measurement in this document are displayed in mm.

# DIMENSIONS

With a wide range of sizes available, find the ideal heater to suit your outdoor space.

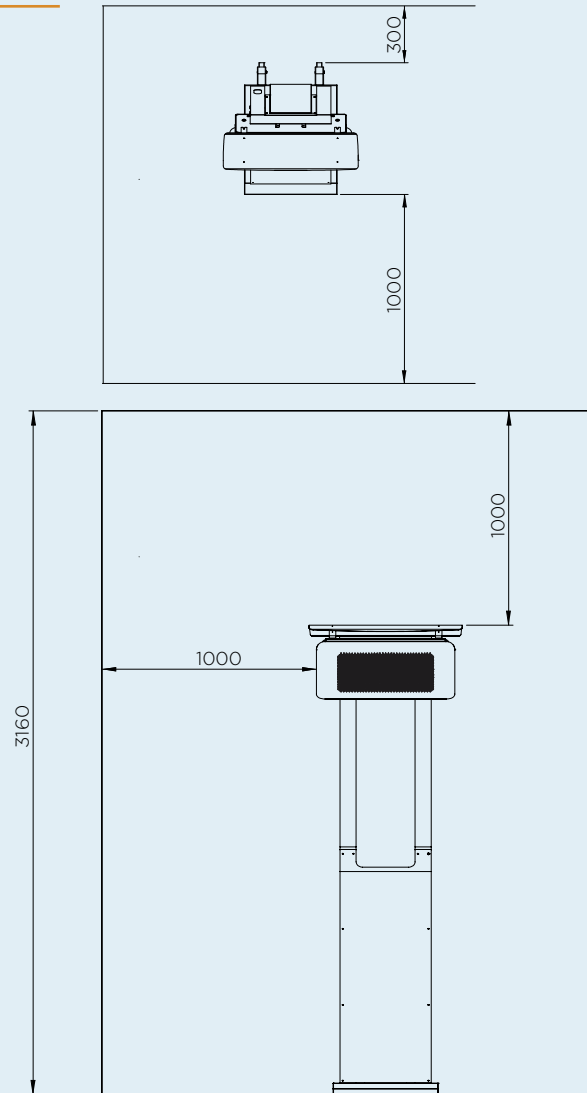
## PROFILE



# CLEARANCE

With a wide array of mounting options, Bromic offers solutions to compliment any décor and provide functionality for ambiance and comfort.

## CEILING & WALL CLEARANCE

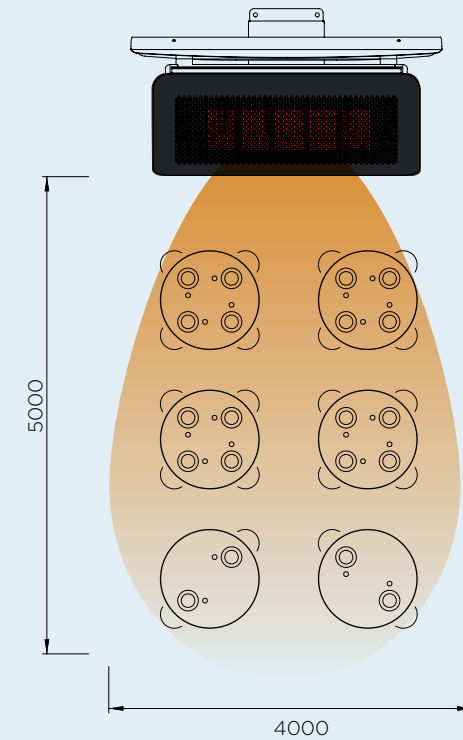



# HEATING REACH

Creating ideal comfort levels, Bromic heaters offer a variety of heat distribution options to suit your outdoor heating needs.

## HEAT AREAS

**TUNGSTEN PORTABLE**  
HEATING APPROXIMATELY 20 m<sup>2</sup>  
40MJ HEATING POWER





EXTEND THE BOUNDARIES OF  
INSIDE SPACE, BY INCLUDING  
THE OUTDOORS. CONTROL THE  
CLIMATE IN YOUR NEXT PROJECT  
WITH BROMIC SMART-HEAT™.

---

[BROMIC.COM/HEAT](https://www.bromic.com/heat)

ASIA PACIFIC | NORTH AMERICA | EUROPE

Bromic pursues a policy of continuing improvement in design and performance of its products. The right is therefore reserved to vary specifications without notice.