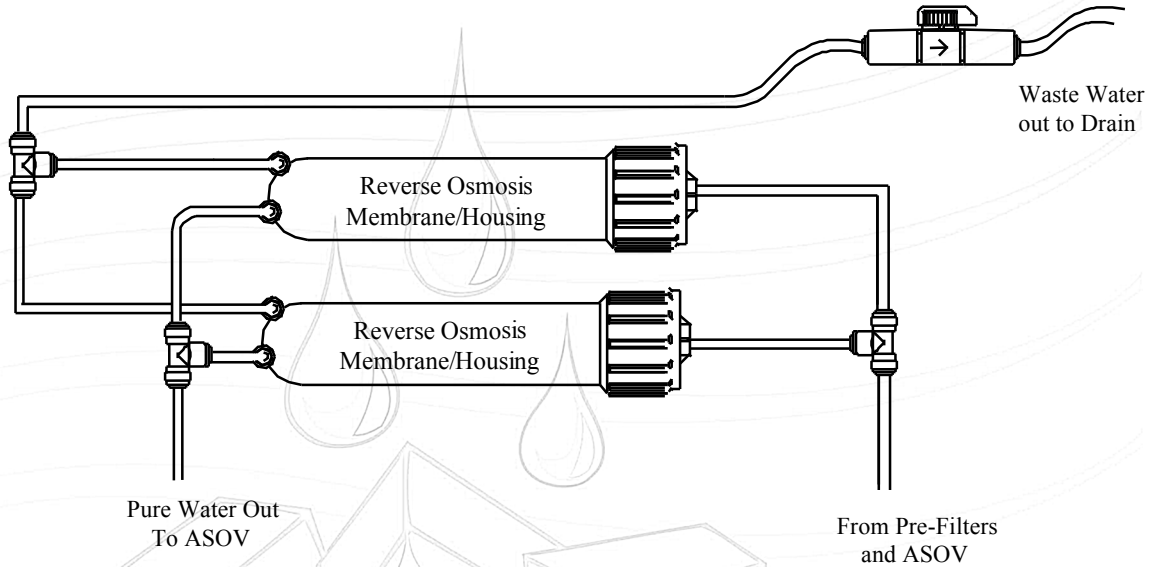


AIR, WATER & ICE

Dual Membrane Diagram

Increased Pure Water Production



Reduced Waste Water

