

Model S0402-CH12

Wall Mounted, Stay Open Drench Hose



SPECIFICATIONS:

Model S0402-CH12 is a wall mounted eye/face and body drench hose with an ABS plastic eye/face wash spray head, stay-open squeeze lever valve and a twelve foot retractable and reinforced coiled PVC hose.

NOTE: ANSI Z358.1 states that drench hoses are used as supplements, but do not replace other types of emergency equipment.

STANDARD EQUIPMENT:

Spray Head Assembly: ABS yellow plastic Eye/Face Wash heads supplied by a combined integral 1.85 GPM (7 LPM) Flow Control, with integral flip Dust Covers, internal Flow Controls and Filters to remove debris from the water. An anti-microbial agent is molded into the ABS material, providing integrated protection.

Valve: Chrome plated brass stay-open valve with a locking clip and stainless steel squeeze lever.

Hose: A 12 foot, retractable coiled yellow PVC hose with a working maximum pressure of 180 psi.

Mounting: Wall mounted, yellow powder coated galvanized steel bracket with spring clips to hold the unit to the wall in the proper position.

Water Supply: 3/8" NPT female threaded, chrome plated brass inlet.

Universal Sign: ANSI compliant, vertical identification sign.

Weekly Test Tag: A waterproof test card to record the date and inspector's name for weekly functional testing of the unit.

Model: S0402-CH12



OPTIONAL ACCESSORIES:

Additional costs may be incurred

- BFP Back flow preventer, double check valve with vent to atmosphere
- ET71-1-BVS-OTG Thermostatic mixing valve is ASSE Listed per the ASSE 1071 standard. The tepid output water complies with ANSI Z358.1 standard. Valve includes Ball Valve Shut-offs, Outlet Temperature Gauge
- IWH1 Instantaneous water heater - 208 volts
- IWH2 Instantaneous water heater - 240 volts
- SDC Stainless steel dust covers



Member of
U.S. Green
Building Council

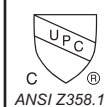


Recyclable
Product

Acorn Safety assumes no responsibility for use of void or superseded data. © Copyright Acorn Safety®, City of Industry, CA, Division of Acorn Engineering Company®, Member of Morris Group International™. Please visit www.acorneng.com for most current specifications.

Submital # **S0402-CH12**
[DH] Revised: 01/09/20

Product complies to the following standards:

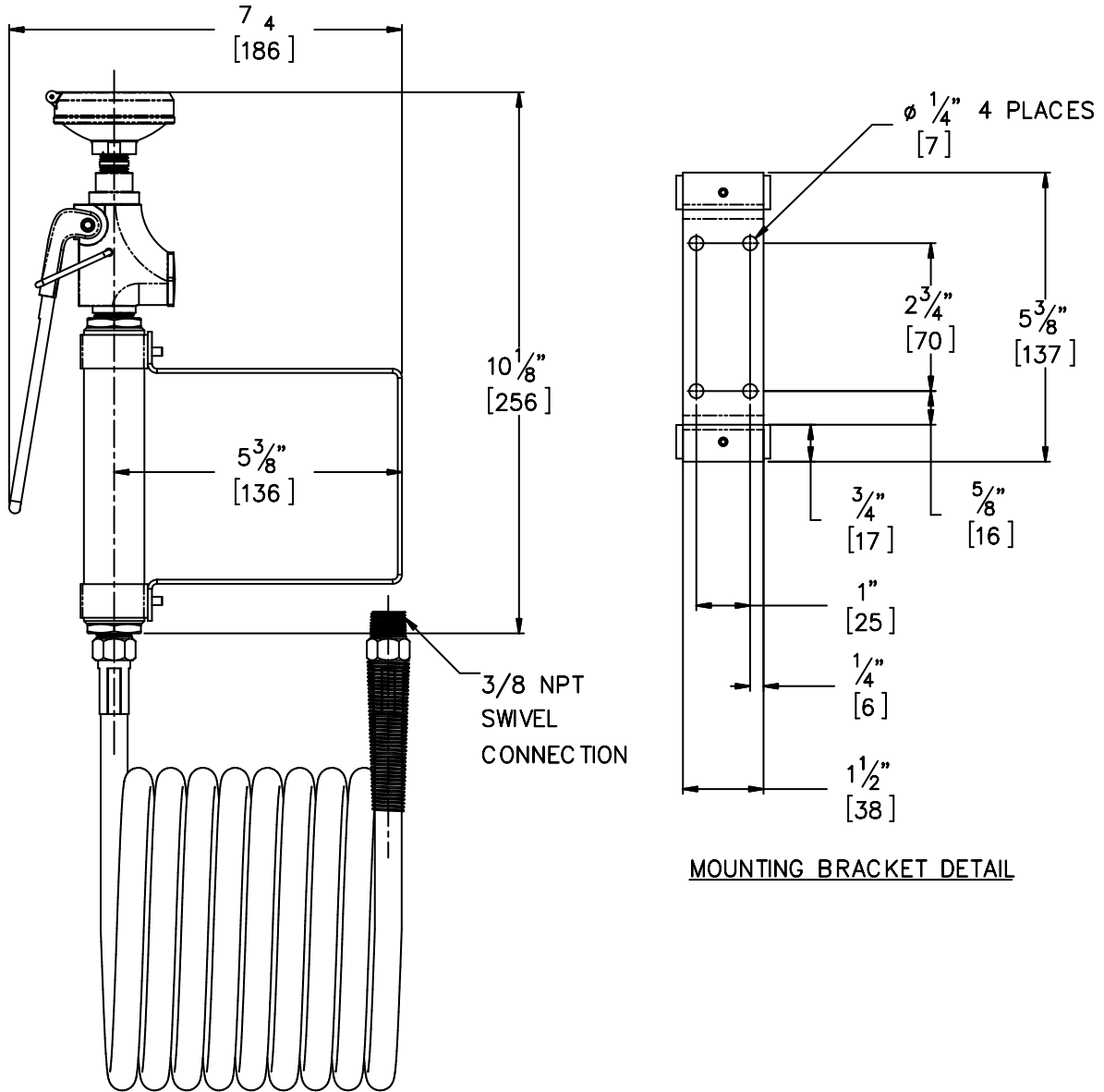


ACORN SAFETY
P.O. Box 3527
City of Industry, CA
91744 U.S.A.
Phone 800-591-9372
626-855-4804
www.acorneng.com

TECHNICAL DIMENSIONS

All dimensions are subject to manufacturer's tolerance of plus or minus 1/2" nominal and subject to change without notice. Acorn Safety® assumes no responsibility for use of void or superseded data. Dimensions may change with the addition of optional accessories. © Acorn Safety®, A Division of Acorn Engineering Company®, Member of Morris Group International™. Please visit www.acorneng.com for most current specifications.

☐ Model S0402-CH12 : Wall Mounted, Stay Open Drench Hose



GENERAL NOTES:

1. ALL DIMENSIONS ARE IN INCHES [MM].

⚠ WARNING: Cancer and Reproductive Harm - www.P65Warnings.ca.gov

S0402-CH12 Revised: 01/09/20

Acorn Safety warrants that its products are free from defects in material or workmanship under normal use and service for a period of one year from date of shipment. Acorn's liability under this warranty shall be discharged solely by replacement or repair of defective material, provided Acorn is notified in writing within one year from date of shipment, F.O.B. Industry, California.

SELECTION SUMMARY & APPROVAL FOR MANUFACTURING

Model Number & Options _____ Quantity _____

Company _____

Contact _____ Title _____

Signature (Approval for Manufacturing) _____ Date _____



800-591-9372
or 626-855-4804
www.acorneng.com