



EYEWASH FEATURES:

- Pull handle activator
- Dedicated water channel for eyewash
- Aerated yellow plastic spray outlets with flip-top dust caps
- 2.6 gpm flow rate at 30 psi.
- Tepid water ready

FAUCET FEATURES:

- 3/8 in. compression connections with male threads for hot and cold inlets
- Sensor battery operated
- 2.2 gpm
- Includes thermostatic faucet mixing valve

COMPLIANCE:

- Certified to ANSI/ISEA Z358.1, ASME A112.18.1/CSA B125.1

FINISHES:

ADD SUFFIX TO MODEL #

- Polished Chrome (standard)

OPTIONS:

- 8 in. deep spout -8
- 0.5 gpm vandal-resistant flow control outlet -BO
- Foot pedal activation (not NSF 372 compliant) -FP
- 2.2 gpm laminar flow for faucet outlet -LF
- Non-aerated eyewash spray outlets and laminar flow control -NA
- Serrated tip with vacuum breaker (not NSF 372 compliant) -ST
- SE-370 thermostatic mixing valve -TW

WARRANTY:

- 25 years for ceramic cartridges
- 3 year limited

SEE REVERSE FOR ROUGH-IN DIMENSIONS

THIS SPACE FOR ARCHITECT/ENGINEER APPROVAL.

SPEAKMAN®

400 ANCHOR MILL ROAD | NEW CASTLE, DE 19720
P: 800-537-2107 | F: 800-977-2747
WWW.SPEAKMANCOMPANY.COM

REVISION DATE: JUNE 2014

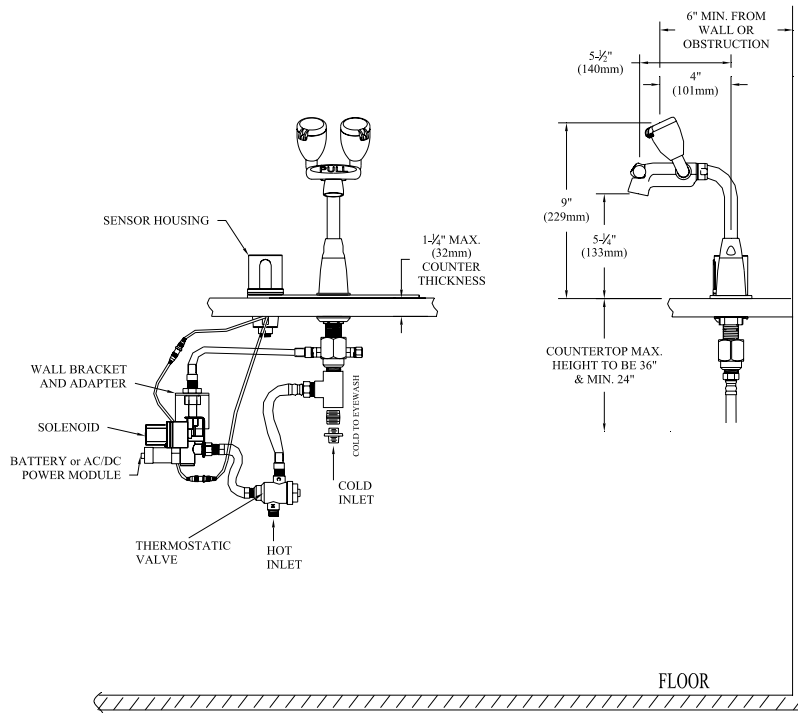


Management Systems
Registered to ISO 9001

SPEAKMAN®

Battery Powered 8 in. Deck Plate Faucet with Integrated Eyewash SEF-1813

SPECIFICATION



NOTE: 1. All dimensions are in inches (millimeters) unless otherwise specified and are subject to change without notice.

THIS SPACE FOR ARCHITECT/ENGINEER APPROVAL.

SPEAKMAN®

400 ANCHOR MILL ROAD | NEW CASTLE, DE 19720
P: 800-537-2107 | F: 800-977-2747
WWW.SPEAKMANCOMPANY.COM



Management Systems
Registered to ISO 9001

REVISION DATE: JUNE 2014