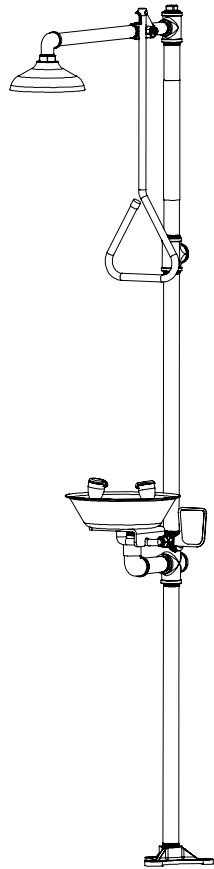


Instructions for Models:

SE-690
SE-693
SE-695
SE-697



Need Help?

For additional assistance or service call:

SPEAKMAN Company
400 Anchor Mill Road
New Castle, DE 19720

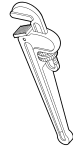
PHONE: 800-537-2107
EMAIL: customerservice@speakmancompany.com
WEB: www.speakmancompany.com

92-SE-690-697-R1

What You Need To Know:

Tools: Required:

*Pipe
Wrench



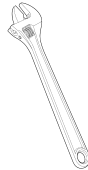
*Strap
Wrench



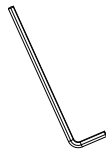
*Level



*Adjustable
Wrench



*7/16" Allen
Wrench



*Hardware
(not included)



Important Notes:

ANSI Z358.1 requires that all safety emergency equipment shall be activated on a weekly basis to flush the line and verify proper operation. **SPEAKMAN** furnishes a testing record tag (91-0635) with each unit. On this tag, the date of inspection and the inspector's initials should be noted. ANSI Z358.1 specifies that the height of the spray heads is to be between 33" - 45" from the floor. Use Thread Locker or Sealant on all threaded connections. Be sure the Unit is level and plum.

Safety Tips:

Cover your drain to prevent loss of parts. Always wear eye protection.

Maintenance:

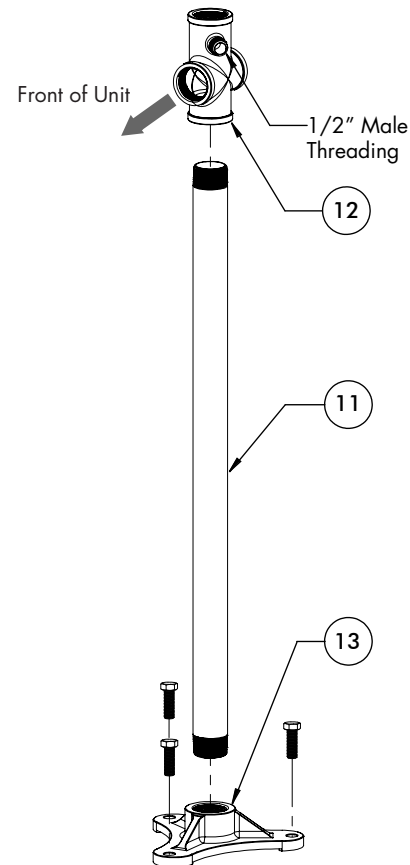
Should you need parts to repair this unit, please reference the parts listing for correct repair part number. Before any maintenance is done, be sure to shut the water supply off. Use only genuine **SPEAKMAN** parts when repairing or replacing components. To order parts, call 1-800-537-2107.

- At desired location, mount Floor Flange (13) on a flat, level surface using suitable anchors, making sure that one of the three ears on the Floor Flange is positioned at what will be the front of the Stanchion.

The Unit should be placed so that there is sufficient unobstructed area around the Stanchion.

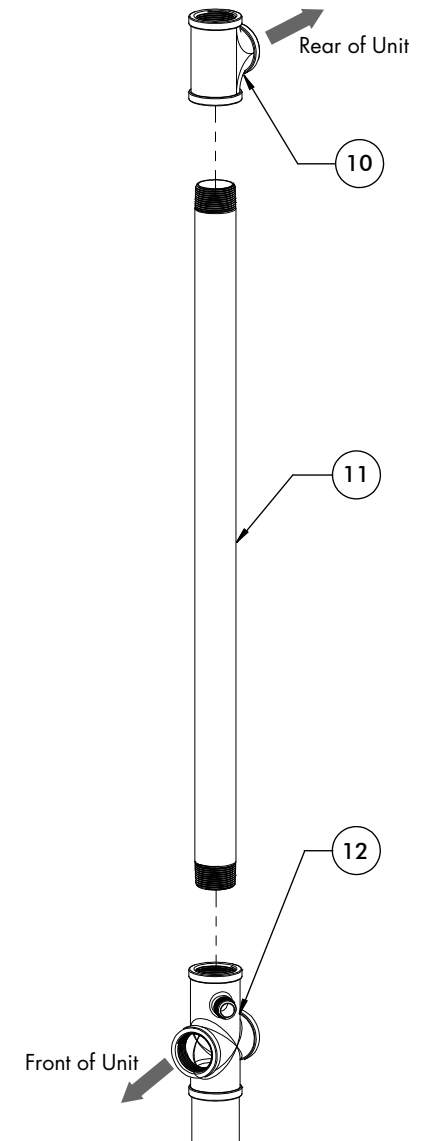
- Assemble 1-1/4" x 29-3/8" Pipe (11) to Floor Flange (13).

- Thread 1-1/4" x 1/2" Drain/Supply Cross (12) onto Pipe (11). Side Outlets should face the front and back of the Unit, and the 1/2" male threaded outlet upward at 45° to the right side of the Unit.



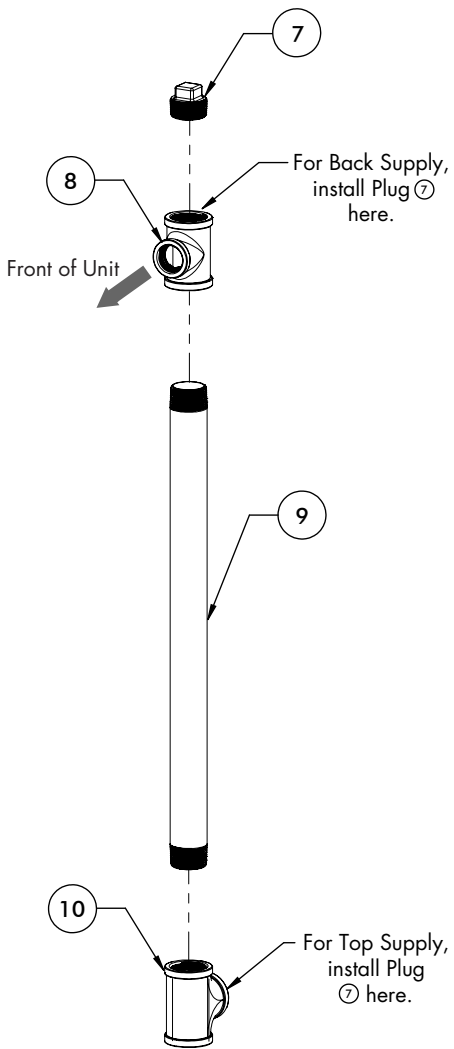
- Assemble 1-1/4" x 29-3/8" Pipe (11) to Drain/Supply Cross (12). Assemble 1-1/4" Tee (10) to Pipe (11).

- Assure the Side Outlet portion of Tee (10) is facing the rear of the Unit.



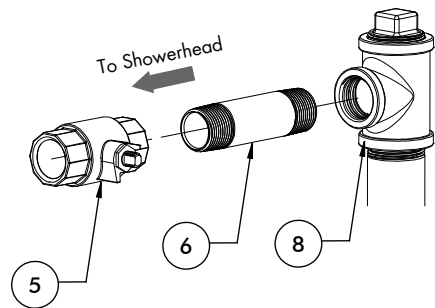
③ • If water supply is coming from above Unit, install Plug ⑦ into side outlet of Tee ⑩.

• If water supply is coming from behind Unit, install Plug ⑦ into top outlet of Tee ⑩.

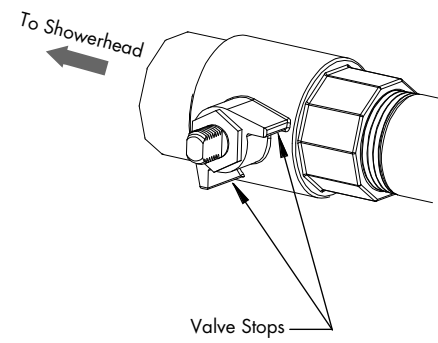


④ • Assemble 1" x 4-1/2" Pipe ⑥ into Side Outlet of Tee ⑧. Review View 4a below to understand the orientation of Ball Valve ⑤.

• Assemble 1" Ball Valve ⑤ onto Pipe ⑥. Valve Stops must be aligned correctly in order for the Pull Handle to operate properly.



Detail View 4a



⑤ • Insert Flow Control ④ into Floet Housing ③, referring to Detail View 5a.

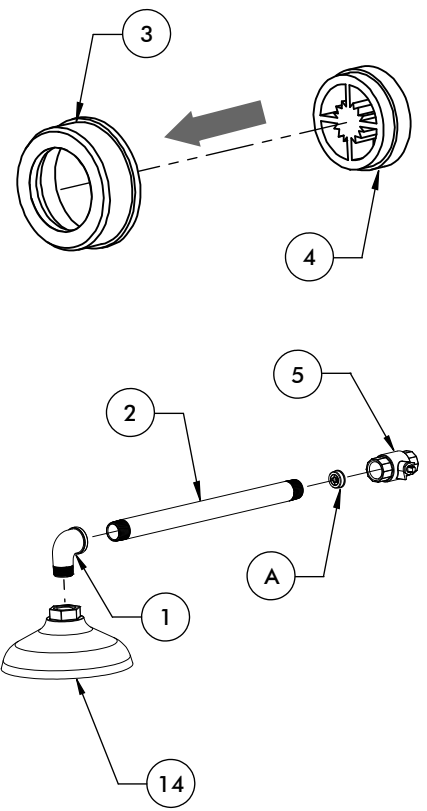
• Insert Flow Control Assembly ④ into end of 1" x 17-5/8" Pipe ②, so that the flange of Floet Housing ③ is fully seated to end of Pipe.

• Install Pipe ② with Flow Control Assembly ④ into Ball Valve ⑤.

• Assemble Elbow ① to Pipe ② being sure to orient Elbow ① so that the outlet is facing down.

• Assemble Showerhead ⑭ to Elbow ①.

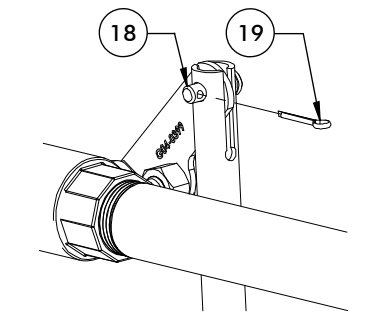
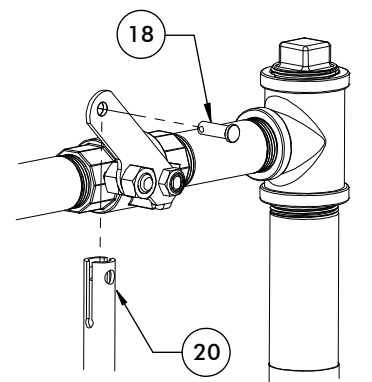
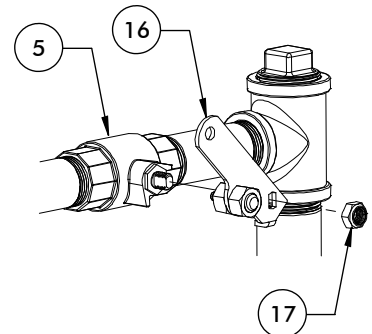
Detail View 5a



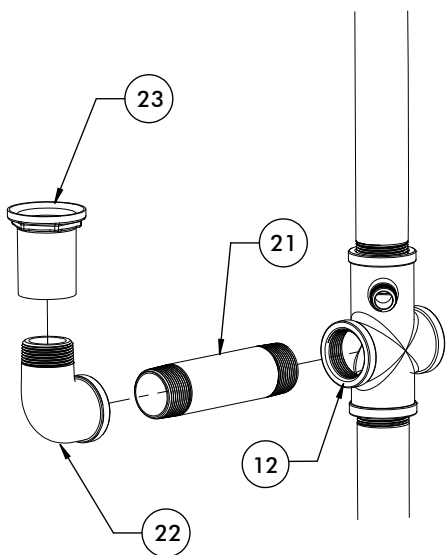
⑥ • Assemble the Lever Handle Assembly ⑮ to Ball Valve ⑤ using Nylo-Hex Nut ⑰, being sure to orient the Handle as shown below.

• Insert the slot in the Pull Rod ⑳ over the Lever Handle Assembly ⑮ and insert Pin ⑱.

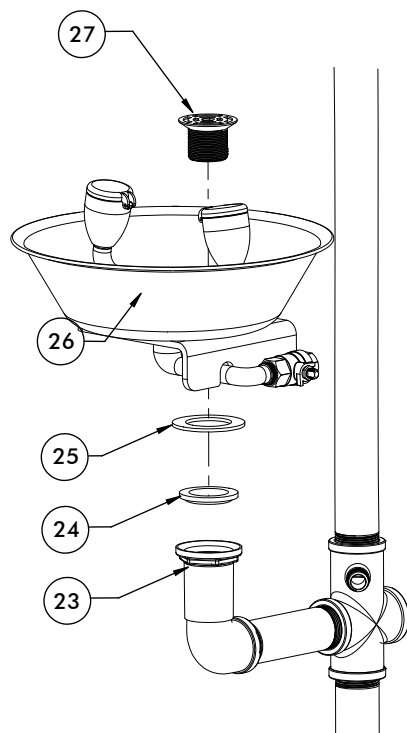
• Secure Pin ⑱ with Cotter Pin ⑲.



- 7**
- Assemble 1-1/4" x 6" Pipe (21) to Drain/Supply Cross (12).
 - Install Street Elbow (22), making sure the male threading is plum.
 - Assemble the 1-1/4" Bowl Mounting Spud (23) to Street Elbow (22), making sure the top surface is level.

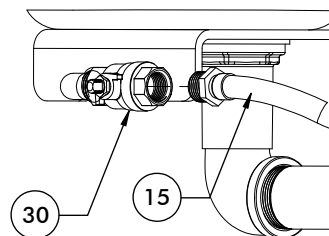


- 8**
- Insert Strainer (27) into Bowl (26).
 - Slide Brass Washer (25), then Rubber Washer (24) over Strainer threading.
 - Tighten Strainer (27) into Bowl Mounting Spud (23) using a 7/16" Allen Wrench.

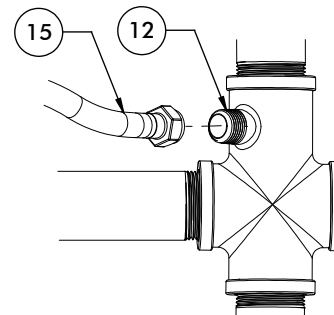


- 9**
- Assemble male end of Flex Hose (15) to Ball Valve (30) (Detail View 9a).
 - Assemble female end of Flex Hose (15) to Drain/Supply Cross (12) (Detail View 9b).
 - Install Paddle Handle (28) to Ball Valve (30) using Nylo-Hex Nut (29) (Detail View 9c).

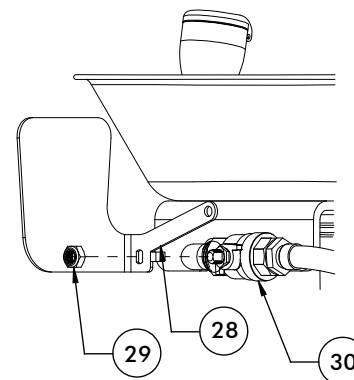
Detail View 9a



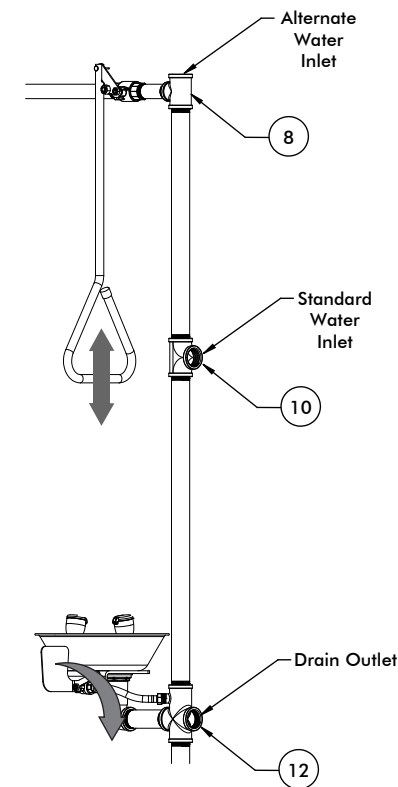
Detail View 9b



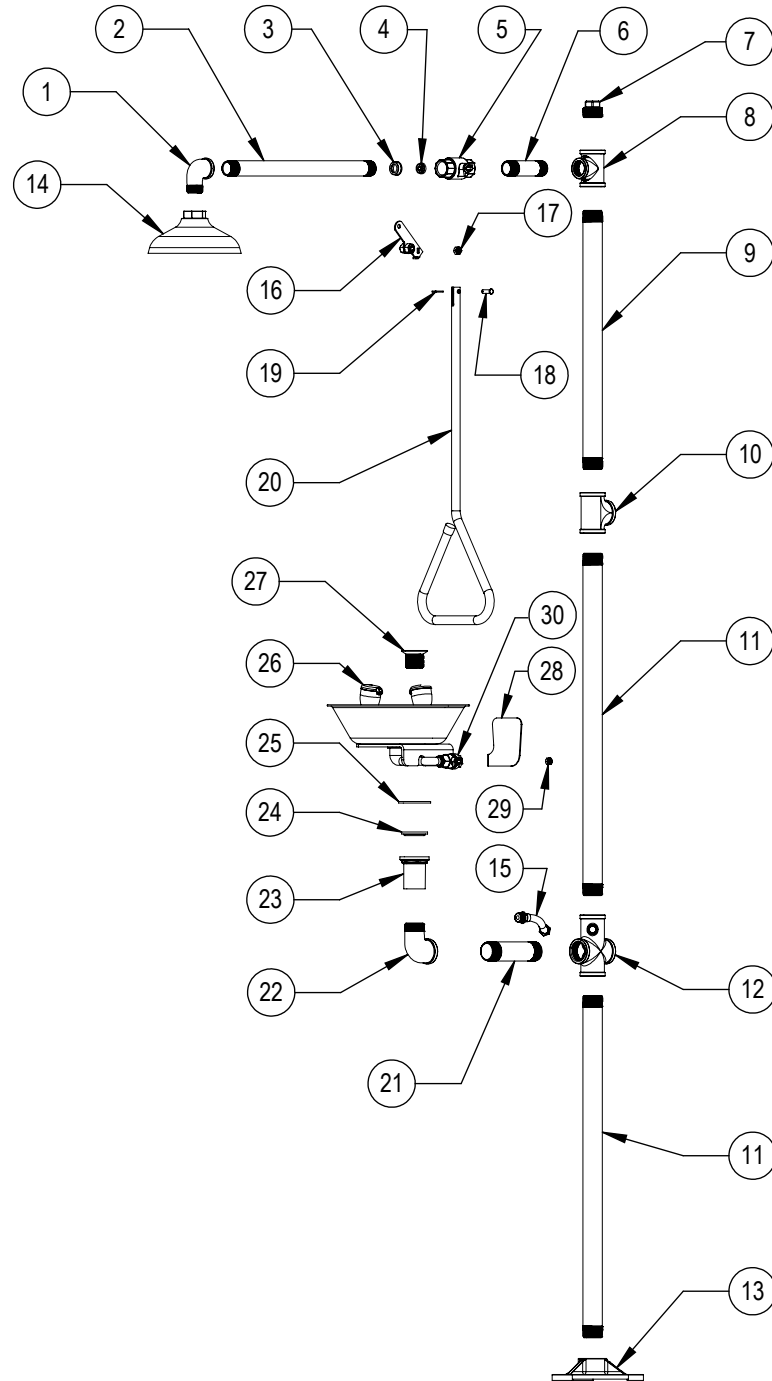
Detail View 9c



- 10**
- Connect an uninterrupted potable water supply with a minimum of 30psi flowing pressure to Water Inlet. Failure to use potable water can result in further injury.
 - Connect an adequate drain to Drain Outlet that complies with all local plumbing codes.
 - Turn on water supply and check connections for leaks.
 - To test the Eye/Face Wash, and for subsequent operation, push the Paddle Handle forward 90°. The unit will operate until the Paddle Handle is manually pulled back to the OFF position.
 - To test the Shower, and for subsequent operation, pull the Pull Rod down. The unit will operate until the Pull Rod is manually pushed back to the OFF position.



SE-690/693/695/697 EXPLODED VIEW



Item No.	Part No.	Description	Qty.
1	25-0253	1" x 90° Galv. Street Elbow	1
2	32-0595	1" x 17-5/8" Galv. Pipe, TBE	1
3	05-2220	Rubber Floet Housing	1
4	05-2219	20 GPM Flow Control	1
5	20-0955	1" Chrome Plated Brass Ball Valve	1
6	31-0427	1" x 4-1/2" Galv. Pipe, TBE	1
7	08-0146	1-1/4" Galv. Plug	1
8	24-0249	1-1/4" x 1-1/4" x 1" Galv. Tee	1
9	31-0596	1-1/4" x 22-1/4" Lg. Pipe, TBE	1
10	24-0257	1-1/4" Galv. Tee	1
11	31-0601	1-1/4" x 29-3/8" Lg. Galv. Pipe, TBE	2
12	05-2516	1-1/4" x 1/2" Galv. Drain/Supply Cross	1
13	26-0242	1-1/4" Galv. Floor Flange	1
14	G38-0211	8" Deluge Showerhead	1
15	G63-0095	Stainless Steel Flexible Supply Hose	1
16	G04-0399	Lever Handle Assembly with Spring Plunger	1
17	01-0880	7/16-20 UNF Stainless Steel Nylo-Hex Nut	1
18	51-0070	Clevis Pin	1
19	51-0071	Cotter Pin	1
20	G47-0046-29	29" Aluminum Pull Rod	1
21	31-0602	1-1/4" x 6" Lg. Galv. Pipe, TBE	1
22	25-0295	1-1/4" Galv. Street Elbow	1
23	05-2535	1-1/4" Galv. Bowl Mounting Spud	1
24	45-0615	Rubber Drain Washer	1
25	45-0760	Brass Drain Washer	1
26	Bowl Group	Eyewash Unit	1
26.1	G68-0090	SE-690 Stainless Steel (Non-Aerated) Eyewash Bowl	1
26.2	G68-0092	SE-693 Stainless Steel (Aerated) Eyewash Bowl	1
26.3	G68-0091	SE-695 Plastic (Non-Aerated) Eyewash Bowl	1
26.4	G68-0093	SE-697 Plastic (Aerated) Eyewash Bowl	1
27	05-2269	Strainer for Tapered Eyewash Bowl	1
28	04-0877	Paddle Handle	1
29	01-0878	3/8" Stainless Steel Nylo-Hex Nut	1
30	20-0953	1/2" Chrome Plated Brass Ball Valve	1

Repair Parts

Item No.	Part No.	Description
5	SE-911	1" Ball Valve
5	SE-911-SS	1" Stainless Steel Ball Valve
14	SE-870	8" Plastic Showerhead
20	RPG47-0046	Pull Rod
26.1	G68-0090	SE-690 Stainless Steel (Non-Aerated) Eyewash Bowl
26.2	G68-0092	SE-693 Stainless Steel (Aerated) Eyewash Bowl
26.3	G68-0091	SE-695 Plastic (Non-Aerated) Eyewash Bowl
26.4	G68-0093	SE-697 Plastic (Aerated) Eyewash Bowl
15	RPG63-0095	Stainless Steel Supply Hose

SE-690/SE-693 Rough-In

SE-690/693 SHOWER FLOW DATA

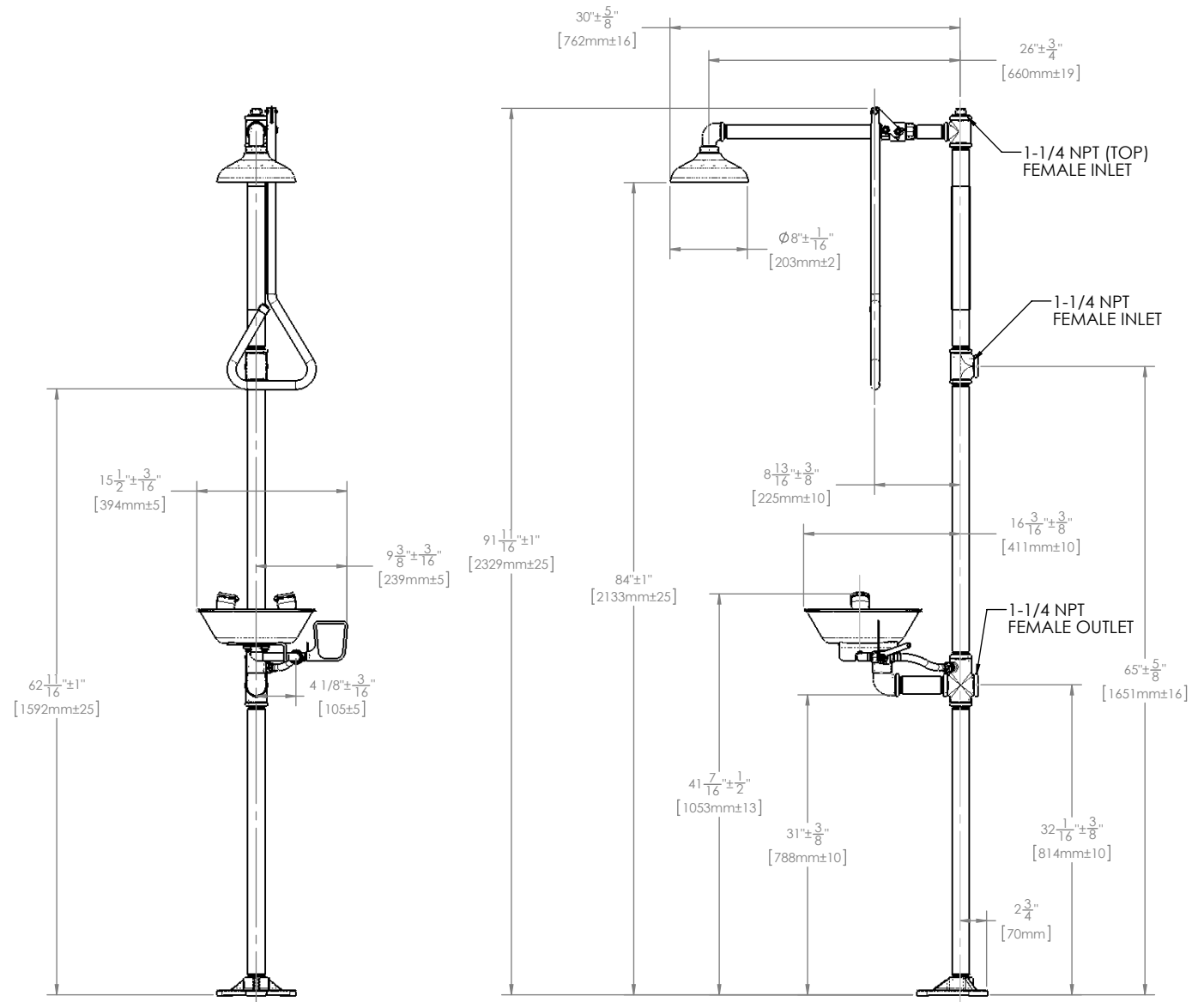
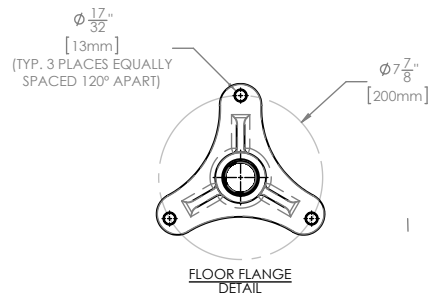
PRESSURE		FLOW RATE	
psi	bar	gpm	L/min
30	2.07	20	75
60	4.14	25	94

SE-690 EYE/FACE WASH FLOW DATA

PRESSURE		FLOW RATE	
psi	bar	gpm	L/min
30	2.07	4.5	17.0

SE-693 EYEWASH FLOW DATA

PRESSURE		FLOW RATE	
psi	bar	gpm	L/min
30	2.07	3.2	14.5



NOTE: ALL UNITS MEET EXISTING ANSI Z358.1 STANDARDS AND OSHA RULES. PRODUCT IMPROVEMENTS MAY CAUSE SPECIFICATION AND DIMENSIONAL CHANGES WITHOUT NOTICE.

SE-695/SE-697 Rough-In

SE-695/697 SHOWER FLOW DATA

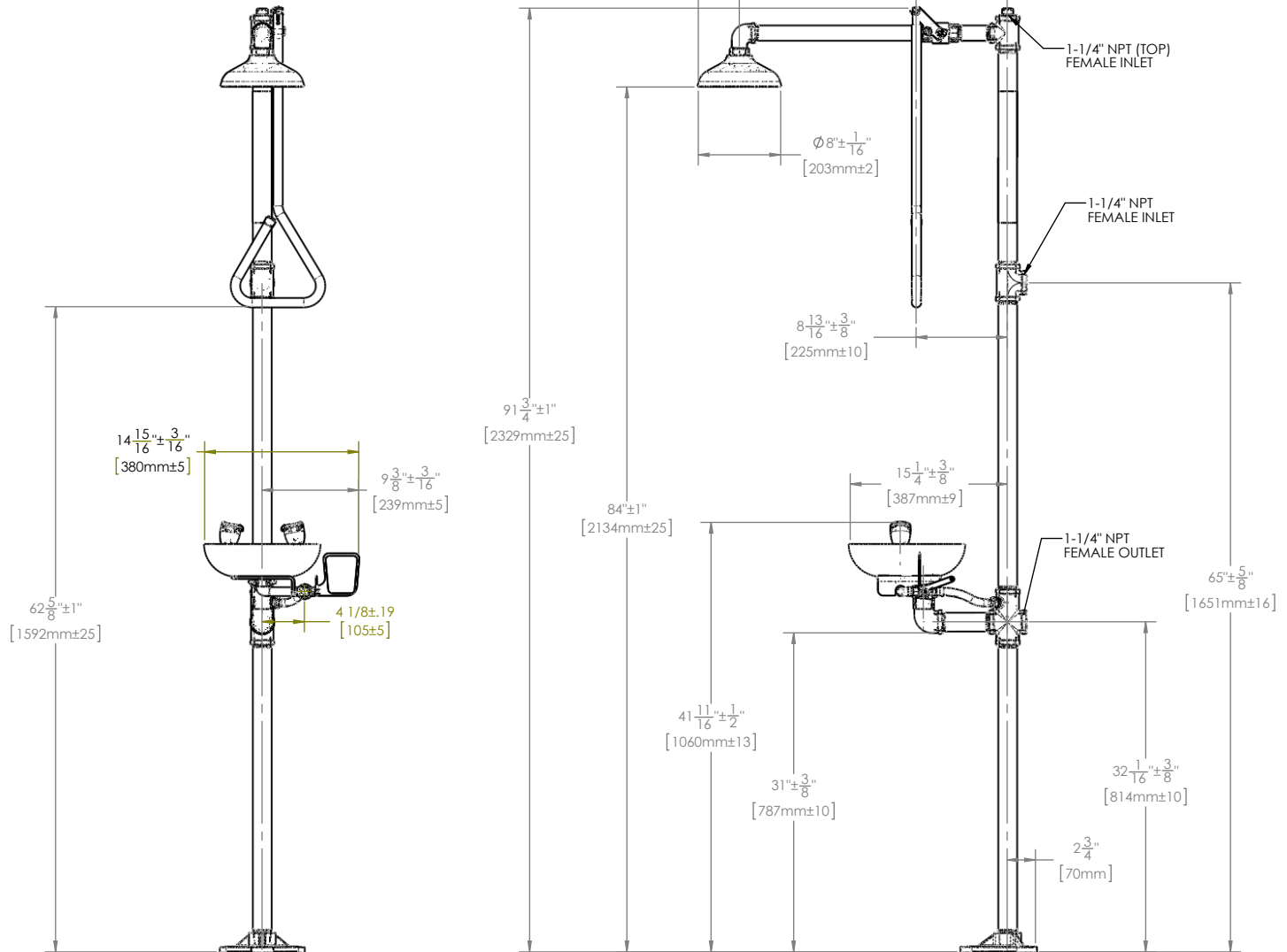
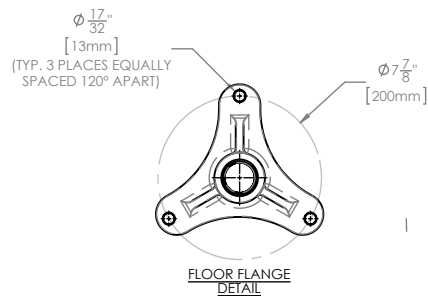
PRESSURE		FLOW RATE	
psi	bar	gpm	L/min
30	2.07	20	75
60	4.14	25	94

SE-695 EYE/FACE WASH FLOW DATA

PRESSURE		FLOW RATE	
psi	bar	gpm	L/min
30	2.07	4.5	17.0

SE-697 EYEWASH FLOW DATA

PRESSURE		FLOW RATE	
psi	bar	gpm	L/min
30	2.07	3.2	14.5



NOTE: ALL UNITS MEET EXISTING ANSI Z358.1 STANDARDS AND OSHA RULES. PRODUCT IMPROVEMENTS MAY CAUSE SPECIFICATION AND DIMENSIONAL CHANGES WITHOUT NOTICE.