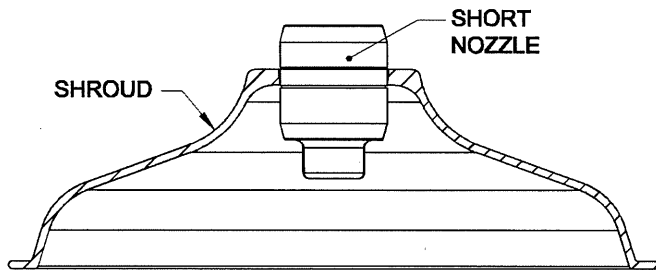


20 GPM FLOW CONTROL

EXISTING SHOWER HEAD (SHROUD TYPE WITH INTEGRAL FLOW CONTROL)

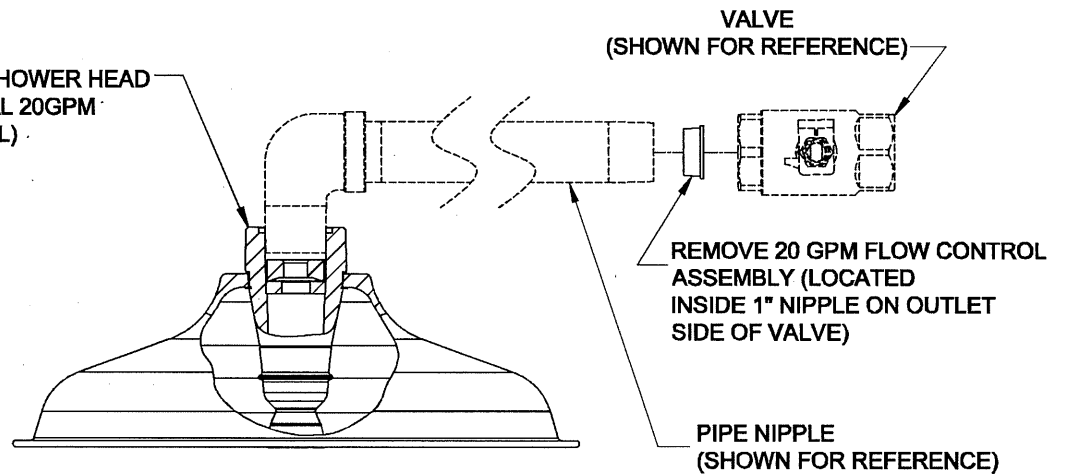
2 STYLE A



EXISTING SHOWER HEAD (SHORT NOZZLE TYPE WITH EXTERNAL FLOW CONTROL MAY OR MAY NOT INCLUDE SHROUD)

2 STYLE B

1 SP829 AXION SHOWER HEAD (WITH INTEGRAL 20GPM FLOW CONTROL)



FLOW CONTROL REMOVAL FROM EXISTING SHOWER (APPLIES ONLY TO SHOWERS WITH A SHORT NOZZLE SHOWER HEAD - SEE STYLE B)



DETAIL A

NOTES:

1 IF NECESSARY, USE DOW CORNING 832 SEALANT, PLACING 5 SMALL BEADS ON THE MALE THREADS OF MATING PART (JUST ABOVE THE FIRST THREAD) BEFORE ASSEMBLING HEAD.

2 REPLACEMENT INSTRUCTIONS FOR EXISTING SHOWER HEADS SHOWN ABOVE:
STYLE A) IF EXISTING HEAD IS SHROUD TYPE WITH INTERNAL FLOW CONTROL; REPLACE WITH NEW SP829 HEAD. NO OTHER MODIFICATIONS ARE REQUIRED.

STYLE B) IF EXISTING HEAD IS SHORT NOZZLE TYPE (MAY OR MAY NOT HAVE A SHROUD ATTACHED) A 20 GPM FLOW CONTROL IS PRESENT INSIDE OVERHEAD NIPPLE AND **MUST BE REMOVED** PRIOR TO INSTALLING NEW SP829 SHOWER HEAD. (SEE **DETAIL A**)

		1455 KLEPPE LANE SPARKS, NEVADA 89431 (775) 359-4712 FAX (755) 359-7424 E-MAIL: HAWS@HAWS.CO.COM WEBSITE: WWW.HAWS.CO.COM	
		ECN NO. REVISED PER BY: 4111 ECN: 4723 HM	MODEL(S) SP829 AXION SHOWER HEAD
DRAWN: IR	DATE: 5/22/08	CHKD: JS	DRAWING NO. 15351A00
APPROVED: 	DATE: 5/22/08	SCALE: 3:2	DRAWING TYPE: INSTALLATION SIZE: A SHEET 1 OF 1